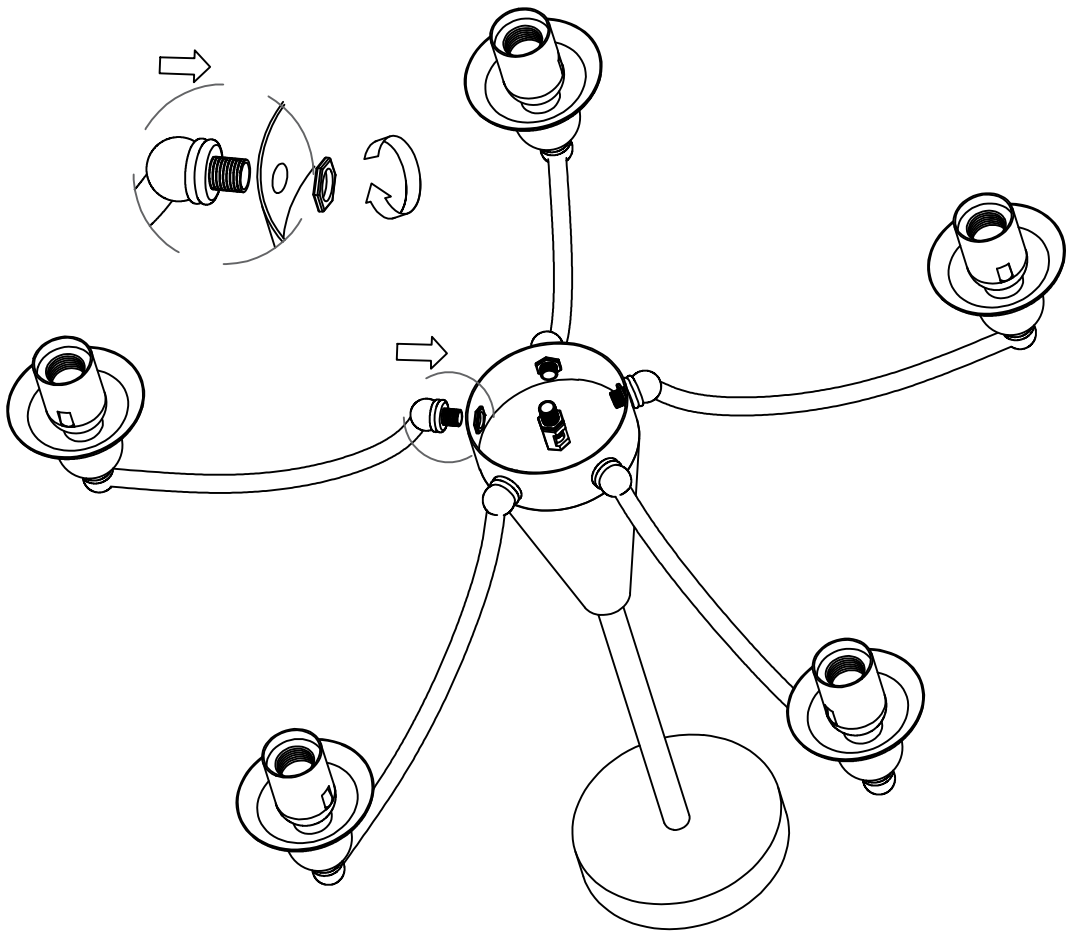
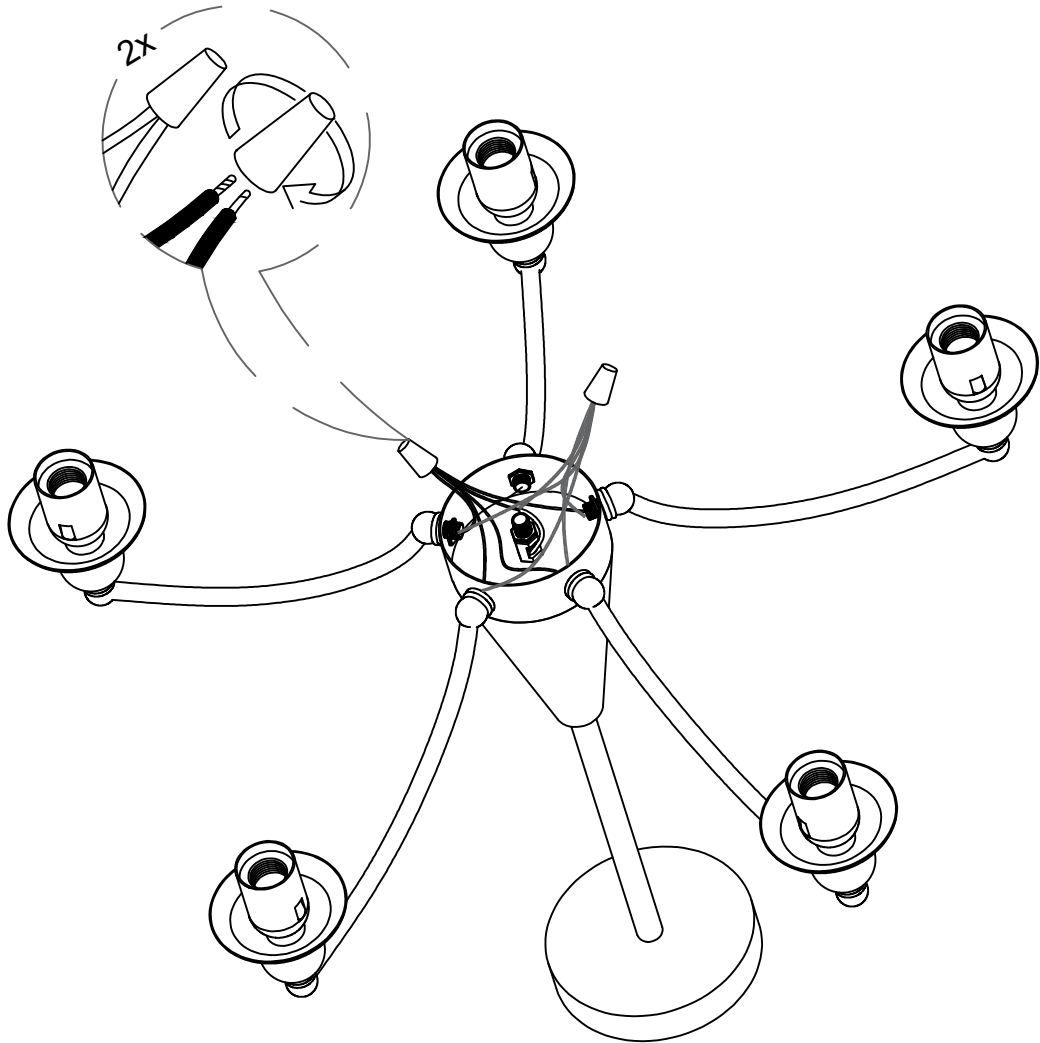


1



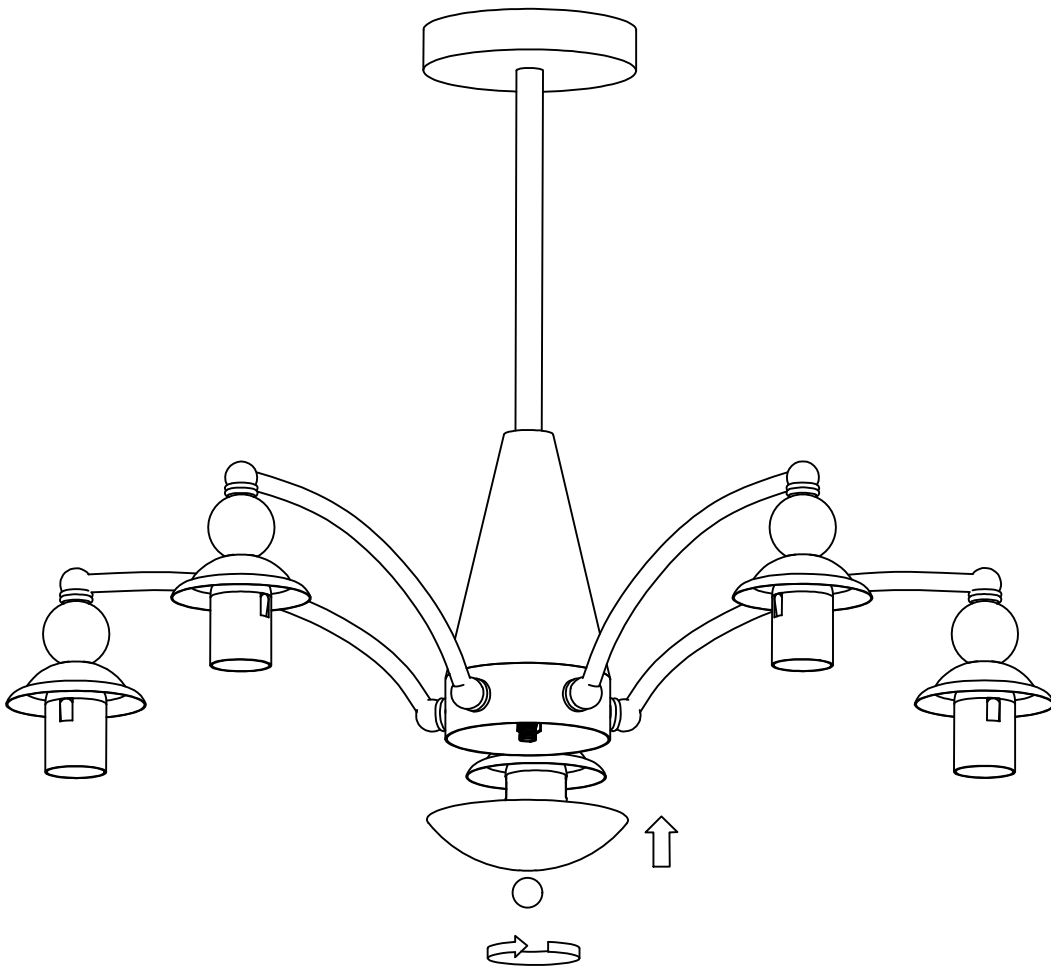
Use screws to lock the lamp arm onto the lamp body

2



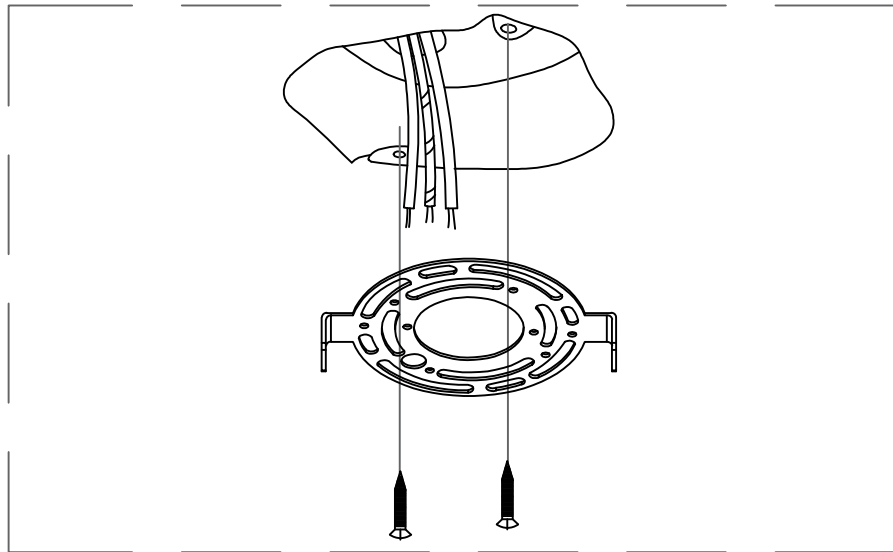
The main line is connected to the wires of the same color

3

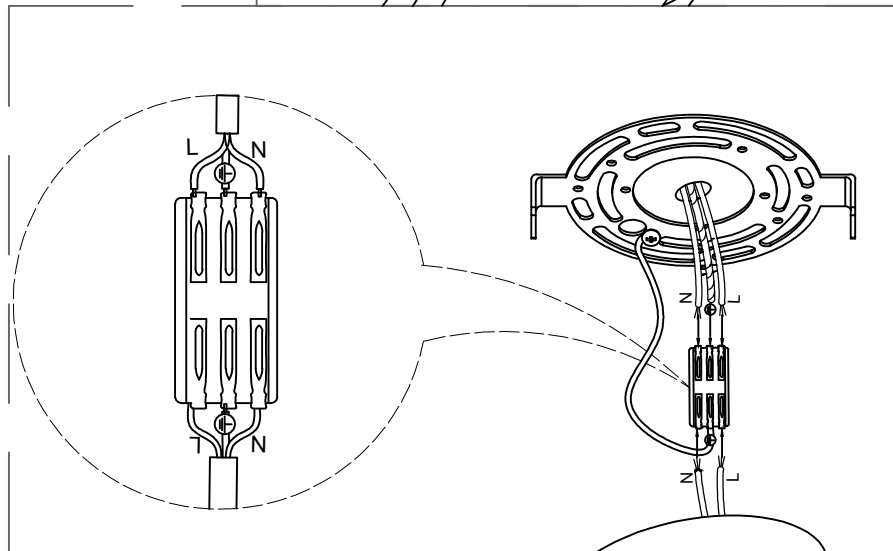
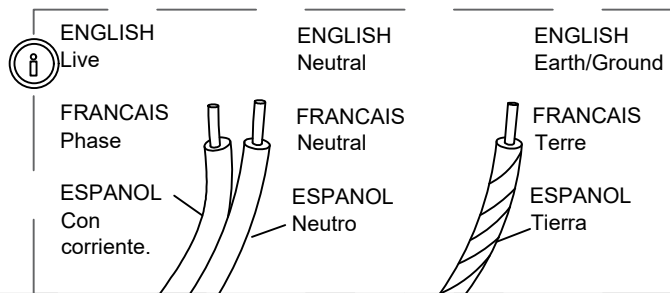


Install the base

# 4

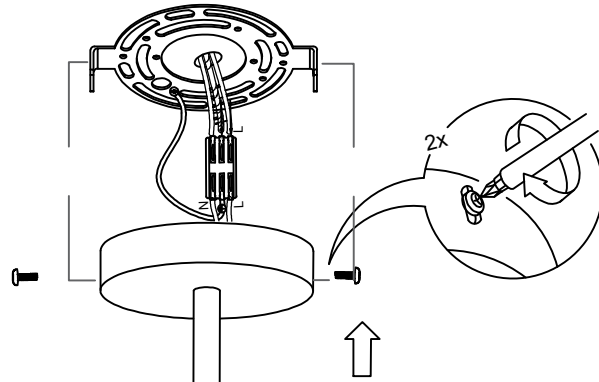


Fasten the hanging board to the ceiling with screws

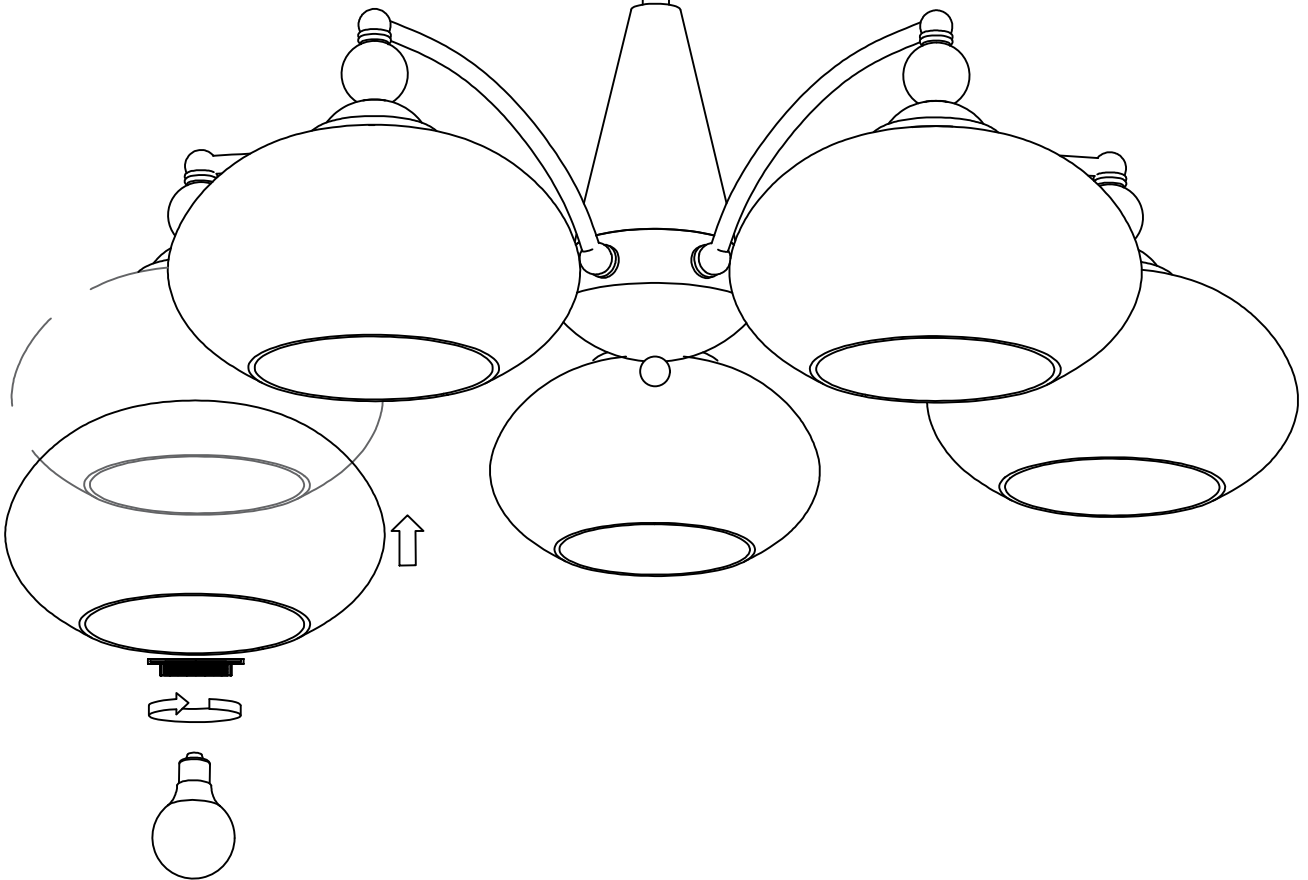


The wires in the home are connected to the wires in the lamps through the wire terminals

# 5



The side screws fix the lamp body to the ceiling plate



Installing light source and lampshade