

1:Assembly of lamp body

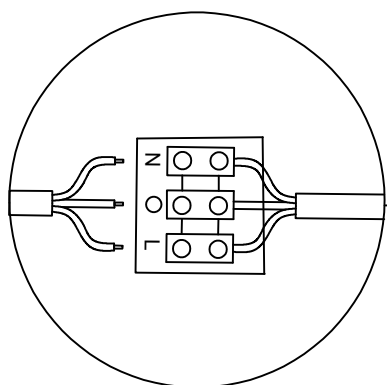
2:Installing bulb

3:Fix the hanging board to the ceiling

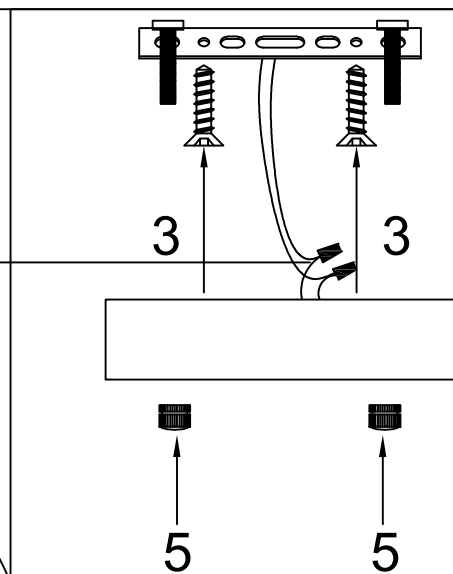
4:Connect the lamp wires to the reserved wires

5:Tighten the nut to secure the lamp body

6:Buckle glass



4

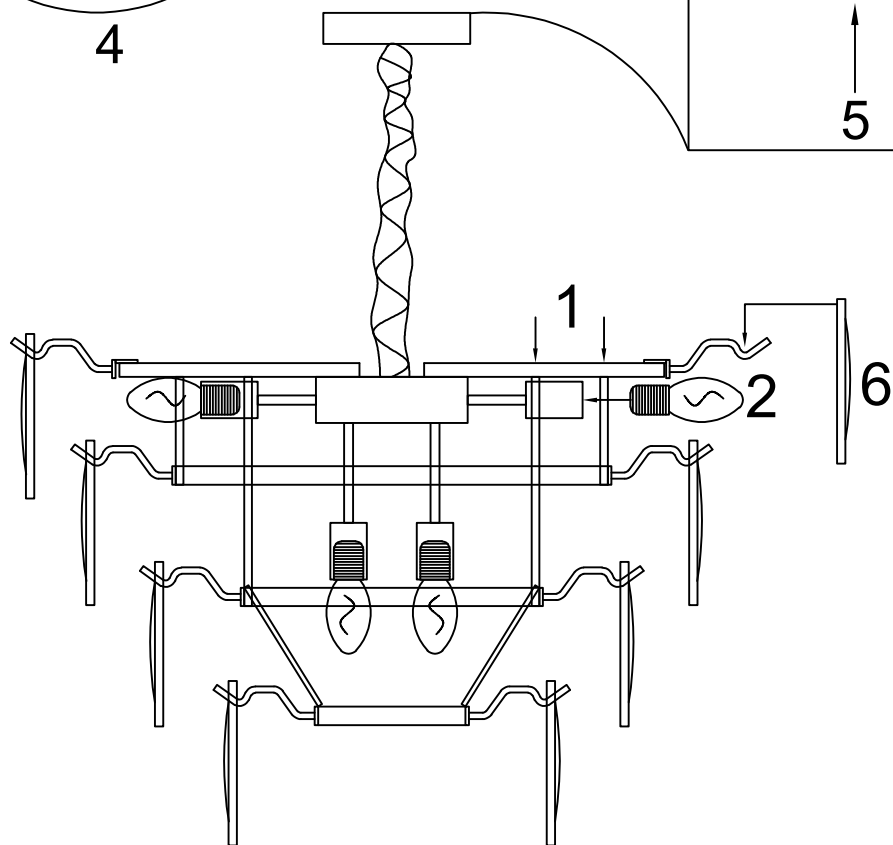


3

3

5

5



1

2

6