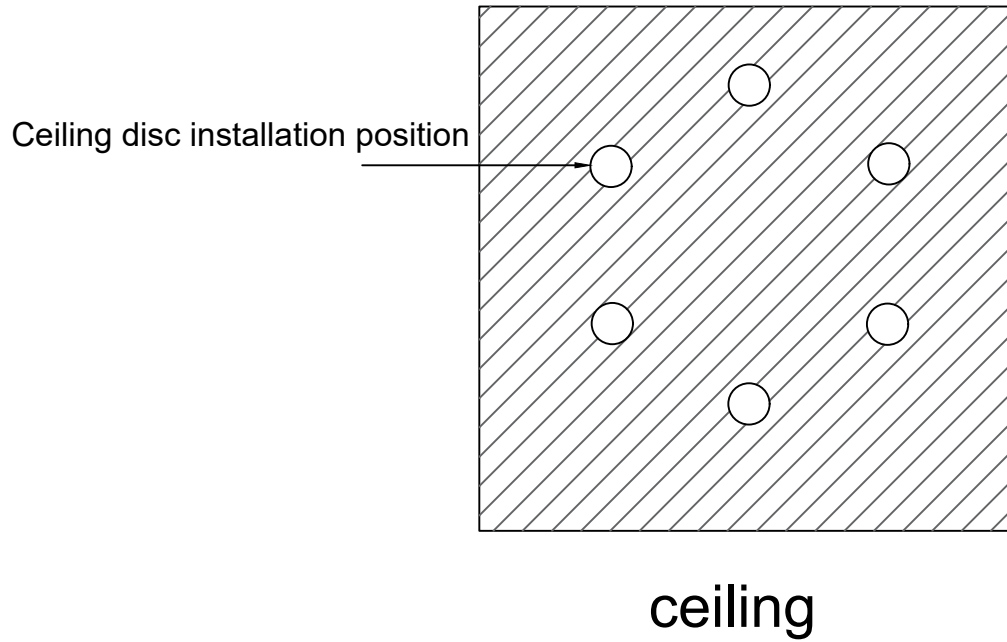


1



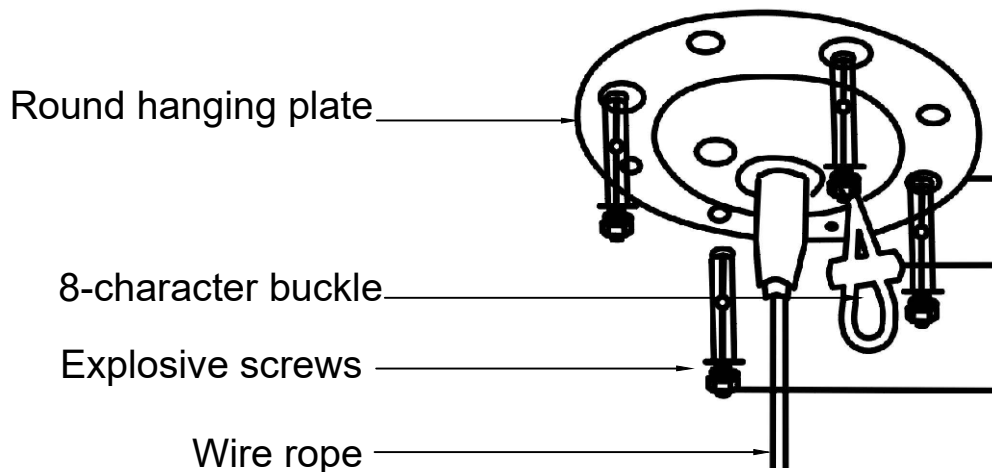
Step 1:

Figure 1 first marks the location of the 6 ceiling trays on the ceiling to be installed, and selects any three outlets as the power cords of the three lamps

# 2

## Step 2:

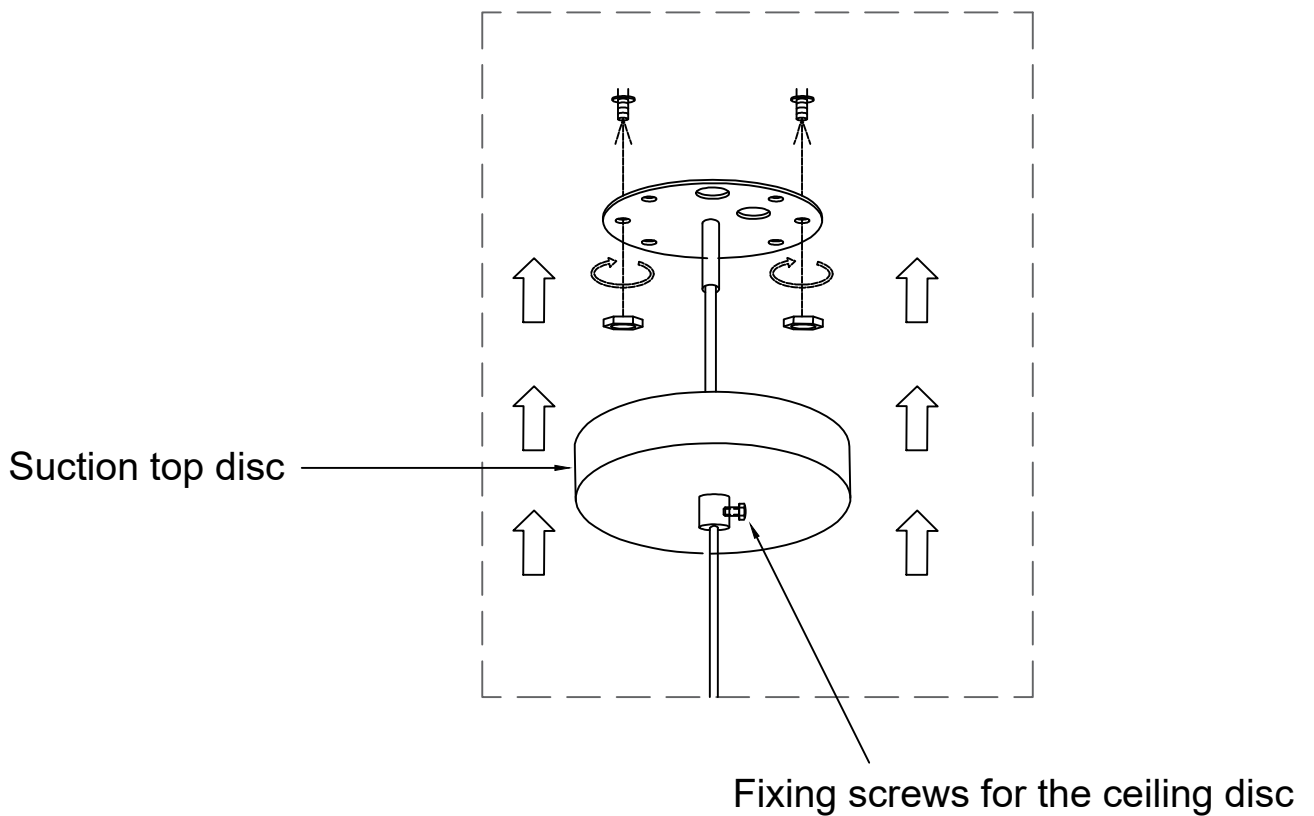
Remove the round hanging board, fix it at the position of the ceiling mark with pull-out screws, make 4 burst screws on each hanging board, and the hole in the hanging board must be tied with a wire rope and lock the figure-8 buckle to prevent the lamp from falling off and causing accidents



# 3

## Step 3:

After installing the round hanging plate, adjust the height of the wire rope, and finally loosen (the fixing screw of the ceiling disc) and push the ceiling disc up to stick to the ceiling lock and fix the screw of the ceiling disc tightly!



# 4

The same installation method is used on the other end with the power cord

Note: The drive light wiring is positive and negative

