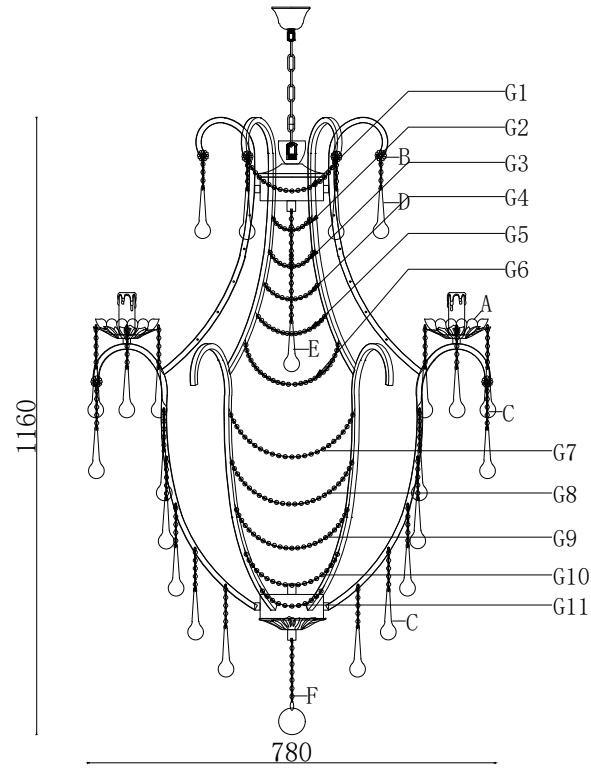


Scan the code to watch
the installation video

Number		Quantity
A	φ120*H30mm glass saucer	5
B	φ20mm chrysanthemum	20
C	φ8bead*5+φ30*L100mmGlass pendant*1	45
D	φ8bead*3+φ30*L100mmGlass pendant*1	5
E	φ8bead*9+φ30*L100mmGlass pendant*1	1
F	φ8bead*7+50#Acrylic ball*1	1
G1	φ8bead*19	5
G2	φ8bead*7	5
G3	φ8bead*9	5
G4	φ8bead*11	5
G5	φ8bead*14	5
G6	φ8bead*20	5
G7	φ8bead*19	5
G8	φ8bead*18	5
G9	φ8bead*17	5
G10	φ8bead*14	5
G11	φ8bead*10	5



Scan the code to watch
the installation video

Number		Quantity
A	φ120*H30mm glass saucer	6
B	φ20mm chrysanthemum	24
C	φ8bead*5+φ30*L100mmGlass pendant*1	60
D	φ8bead*3+φ30*L100mmGlass pendant*1	6
E	φ8bead*18+φ30*L100mmGlass pendant*1	1
F	φ8bead*7+50#Acrylic ball*1	1
G1	φ8bead*16	6
G2	φ8bead*9	6
G3	φ8bead*11	6
G4	φ8bead*13	6
G5	φ8bead*15	6
G6	φ8bead*21	6
G7	φ8bead*22	6
G8	φ8bead*22	6
G9	φ8bead*20	6
G10	φ8bead*15	6
G11	φ8bead*10	6