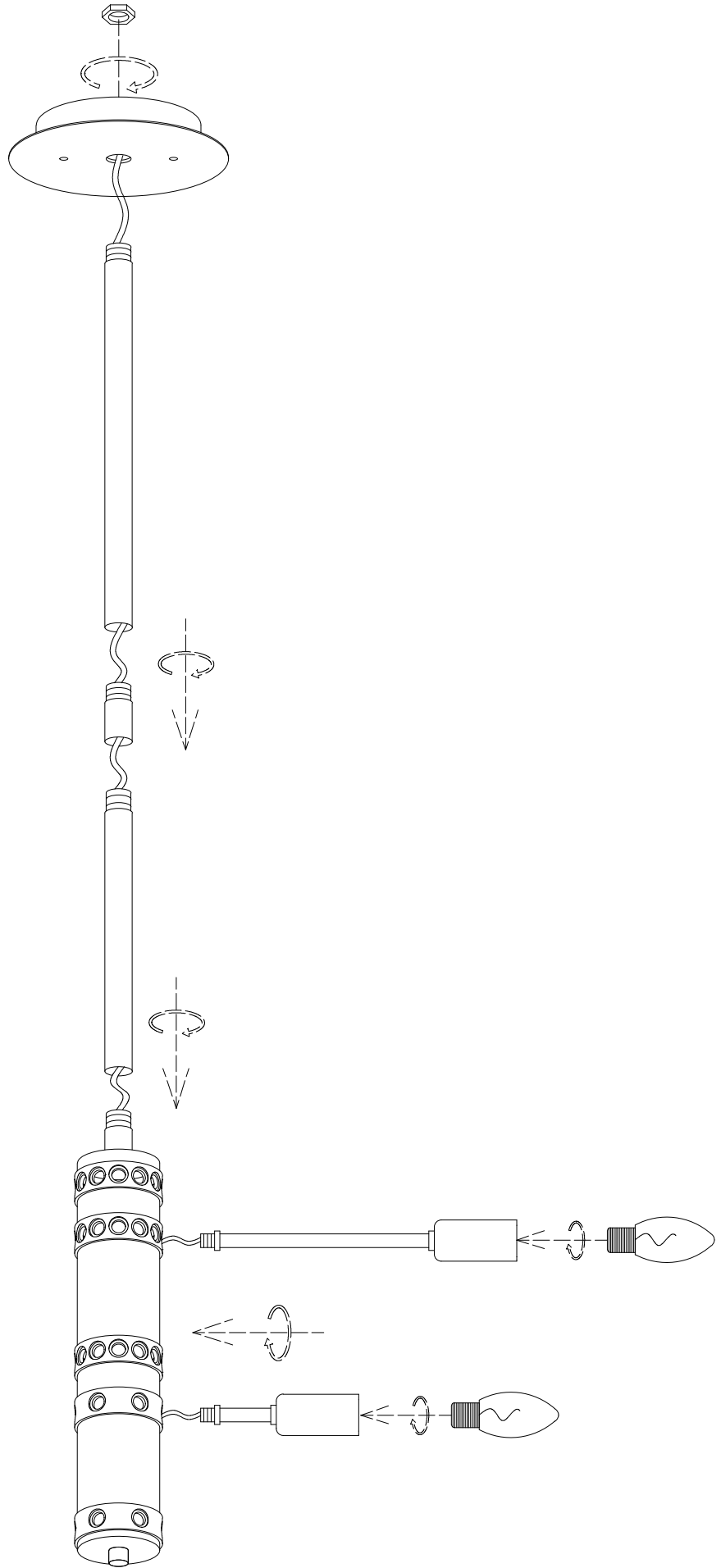
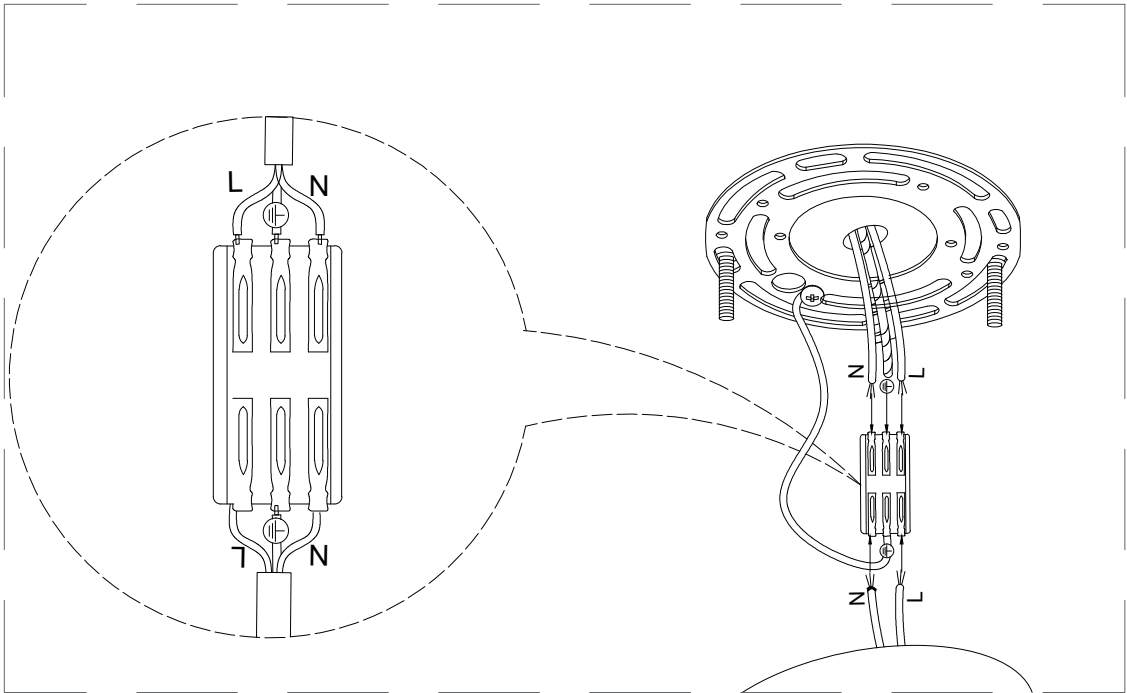
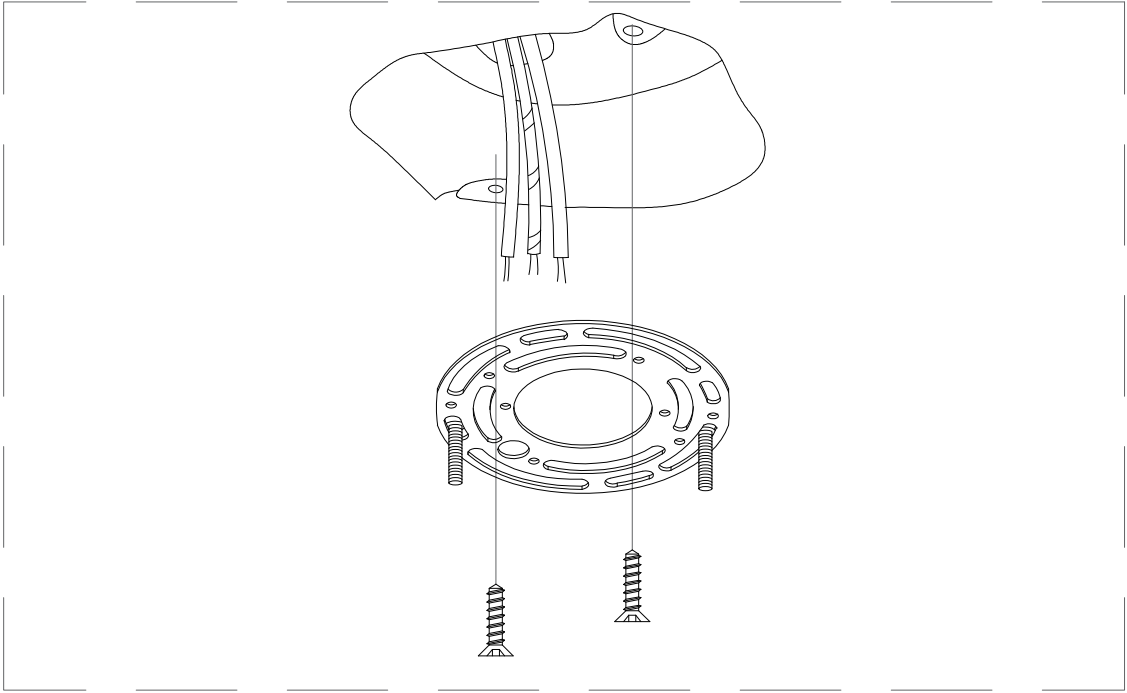


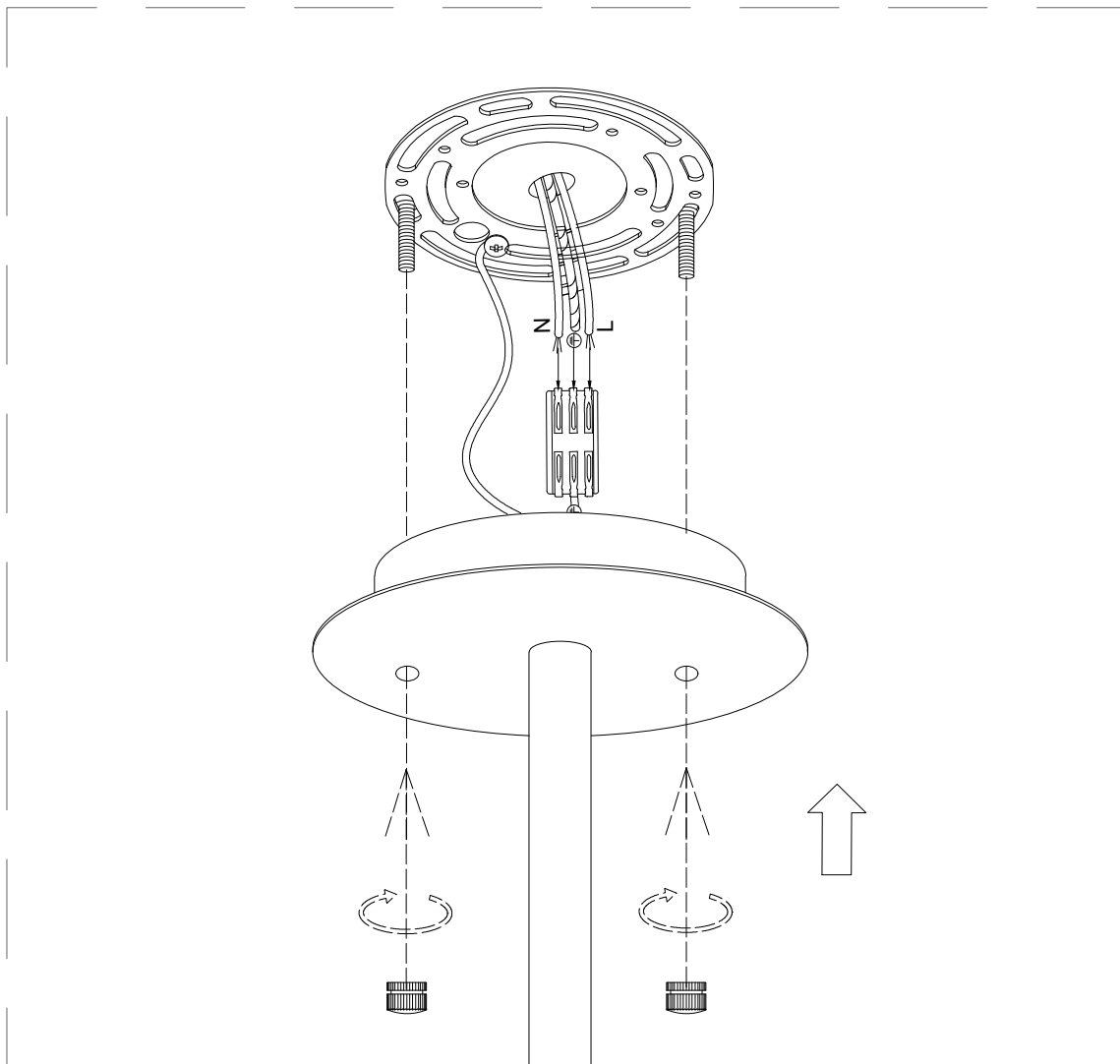
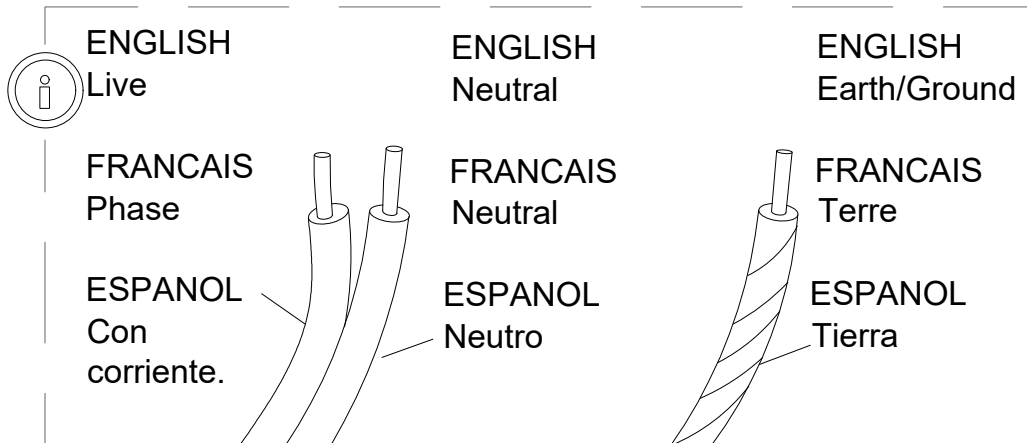
1



2

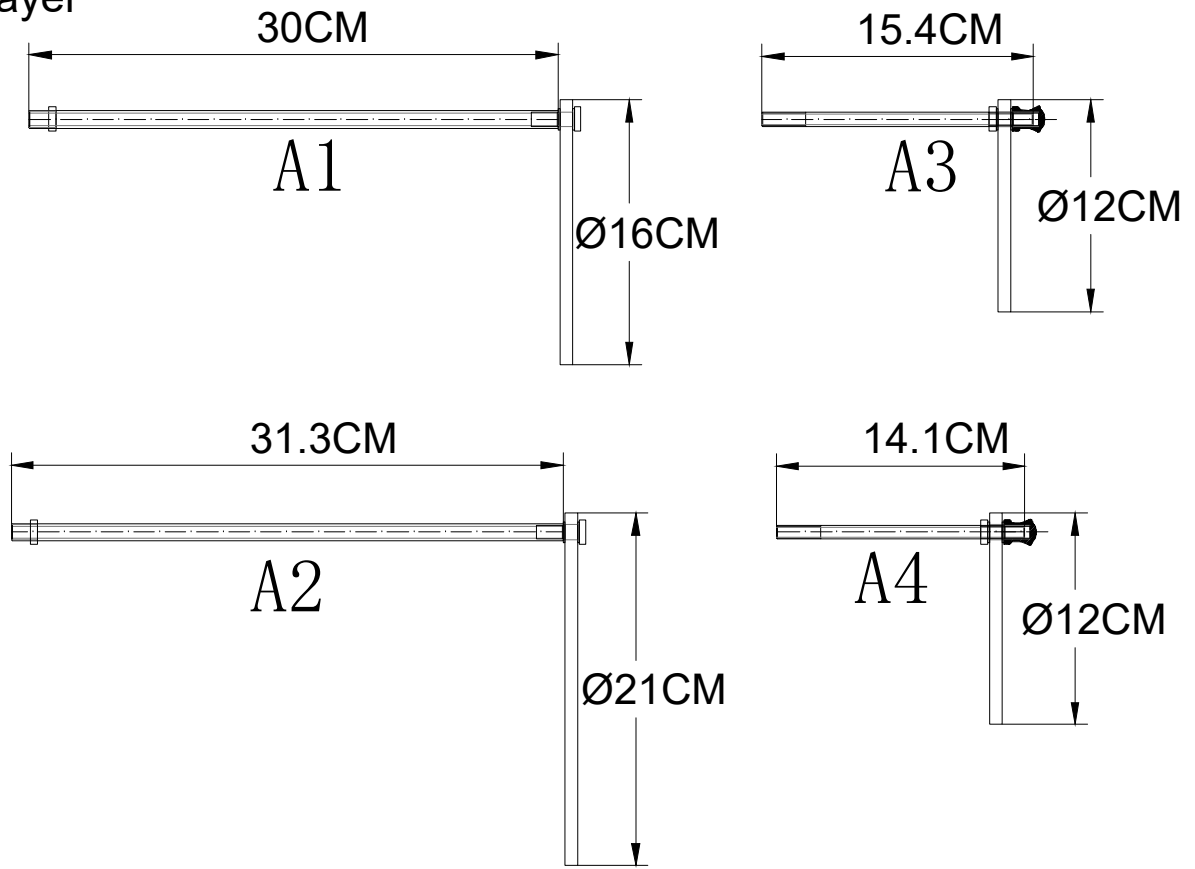


3



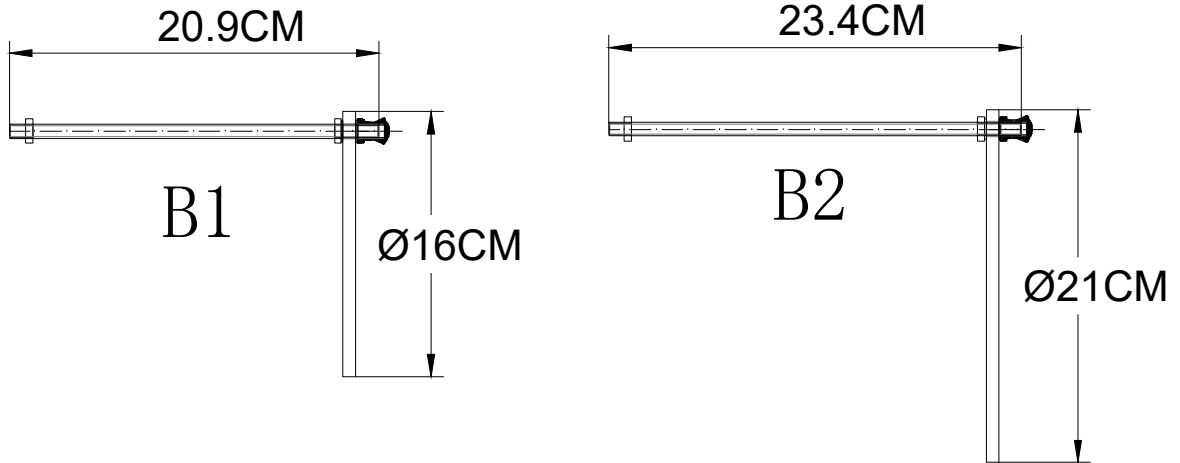
Upper layer

4

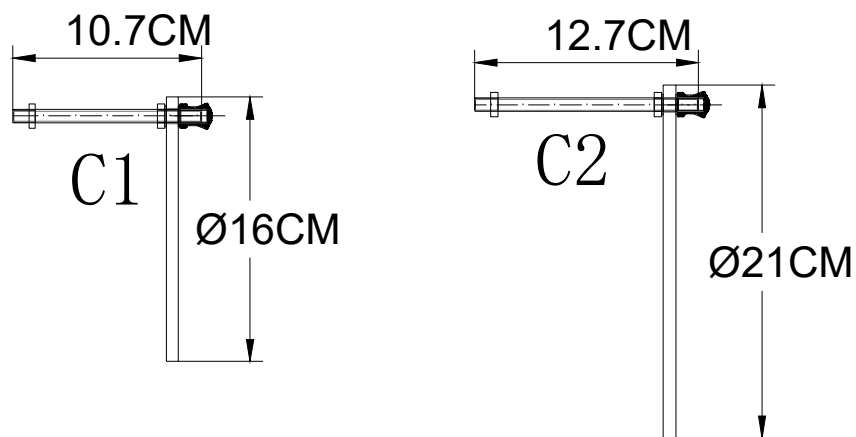


Attention: It is recommended to install from bottom to top

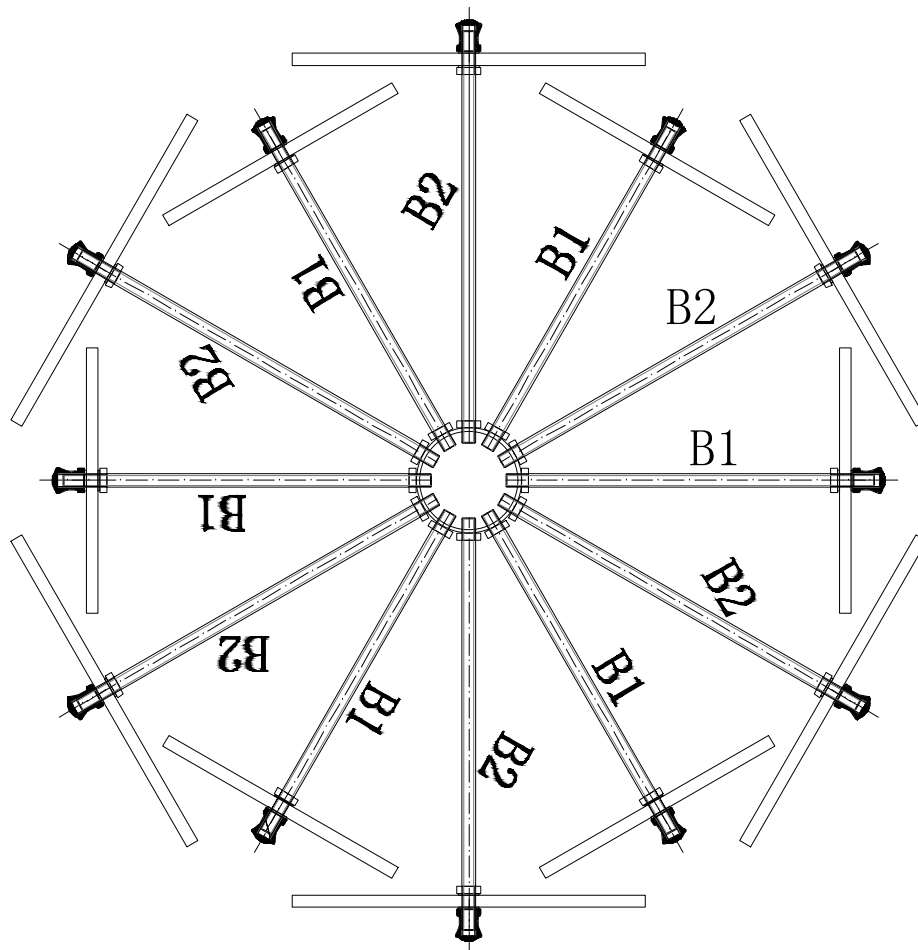
middle layer



lower layer

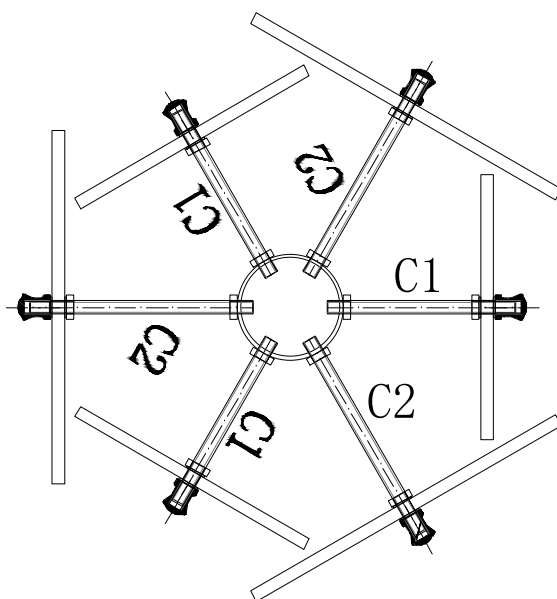


5



middle layer

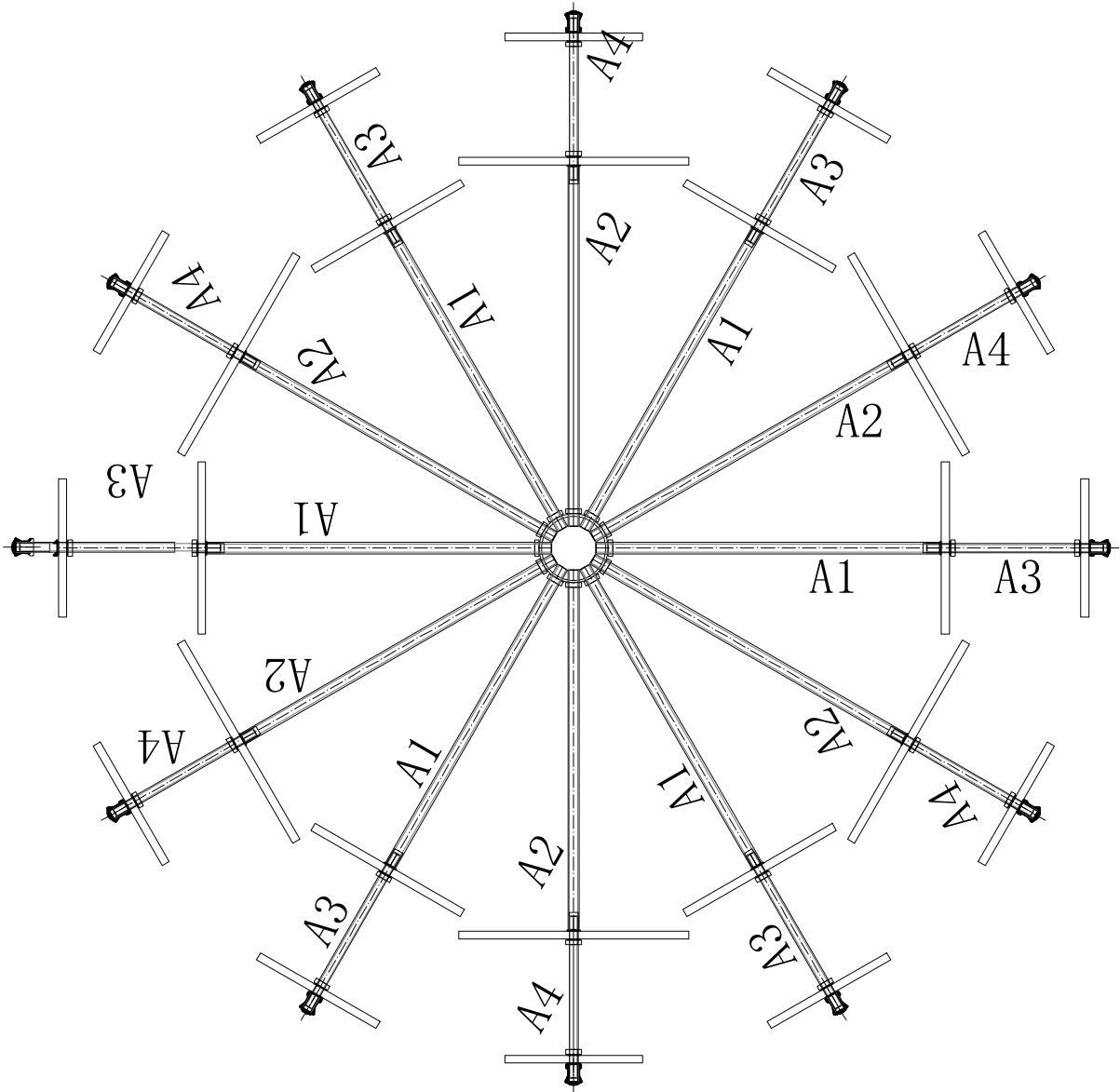
B1+B2 interval installation



lower layer

C1+C2 interval installation

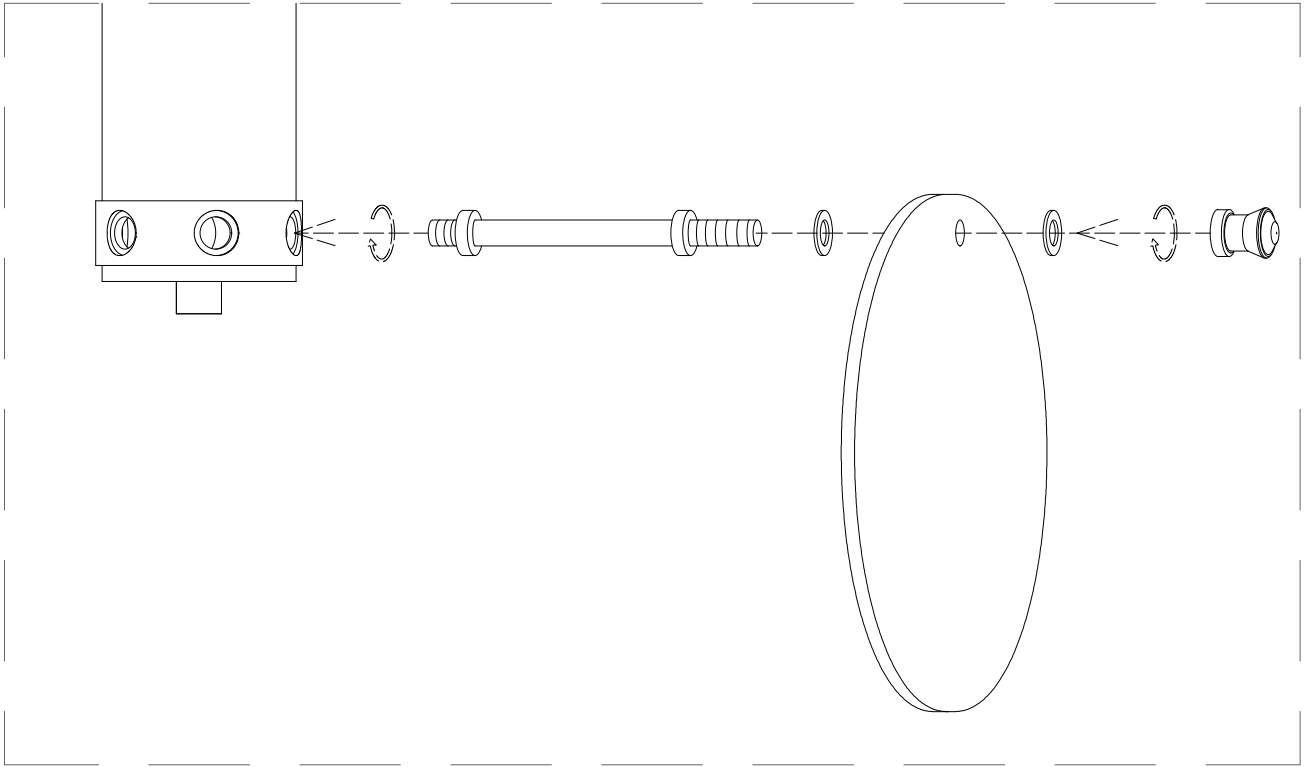
6



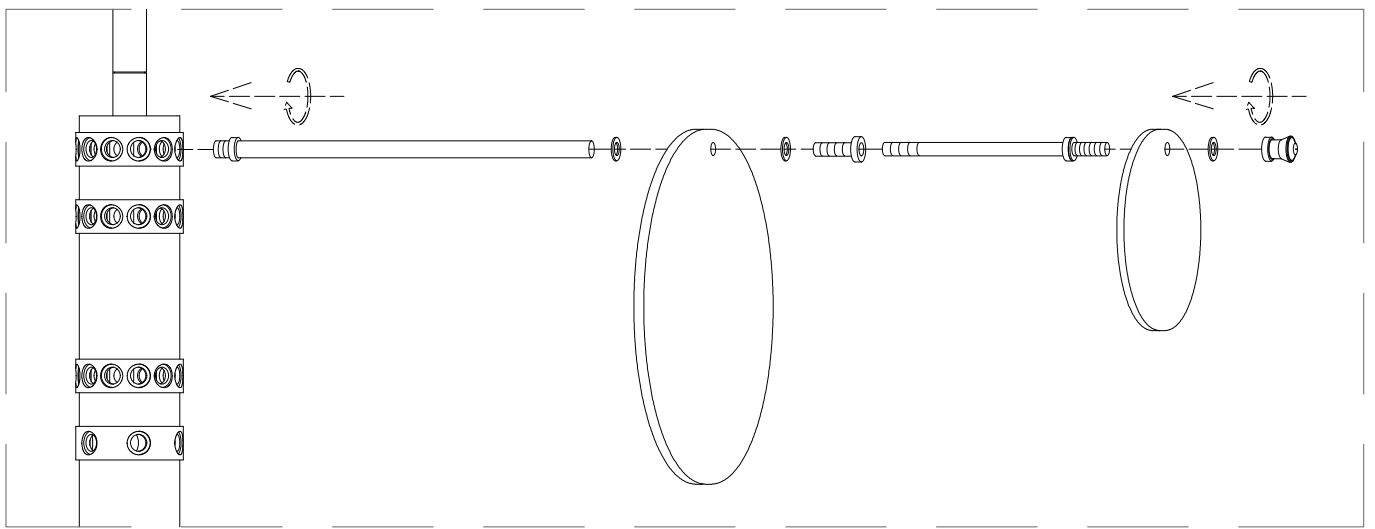
Upper layer

A1+A3 A2+A4
interval installation

7



middle layer+lower layer



Upper layer