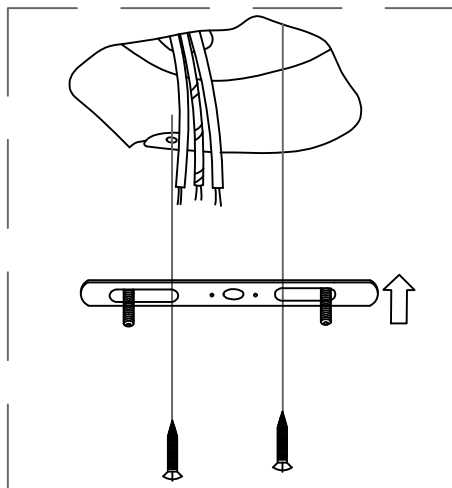
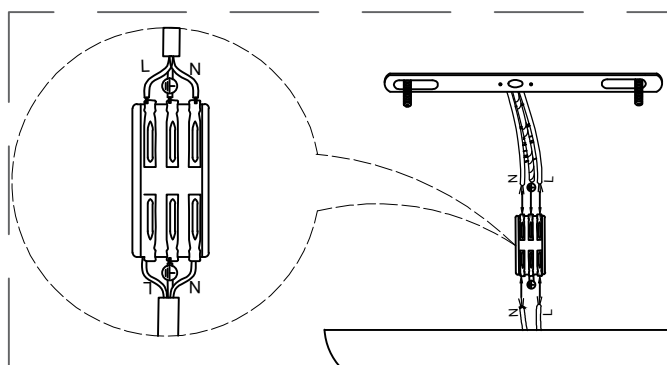
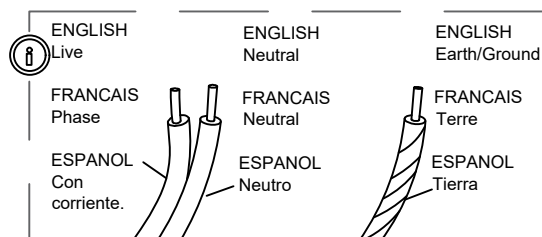


1

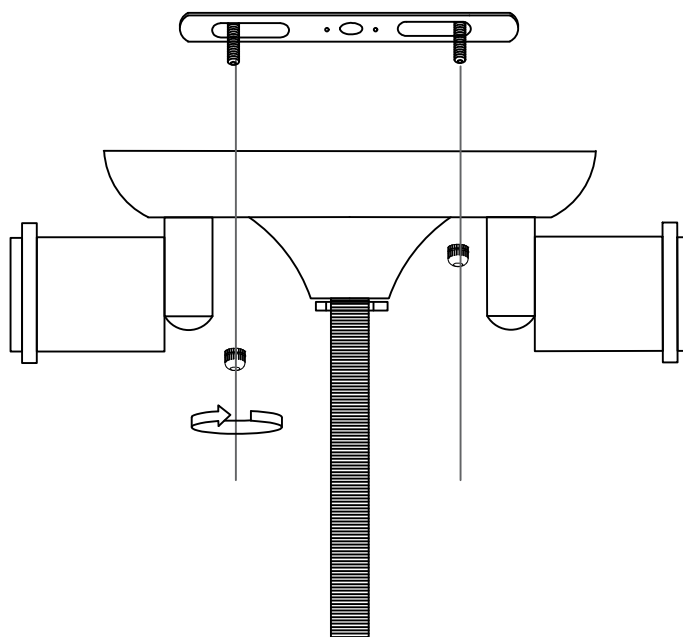


Fasten the hanging board to the ceiling with screws



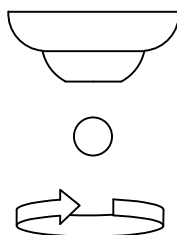
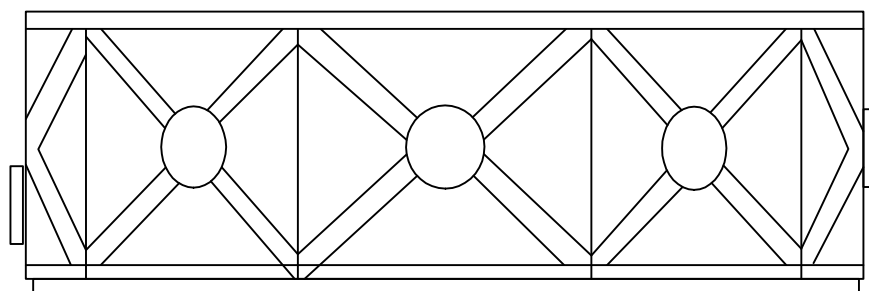
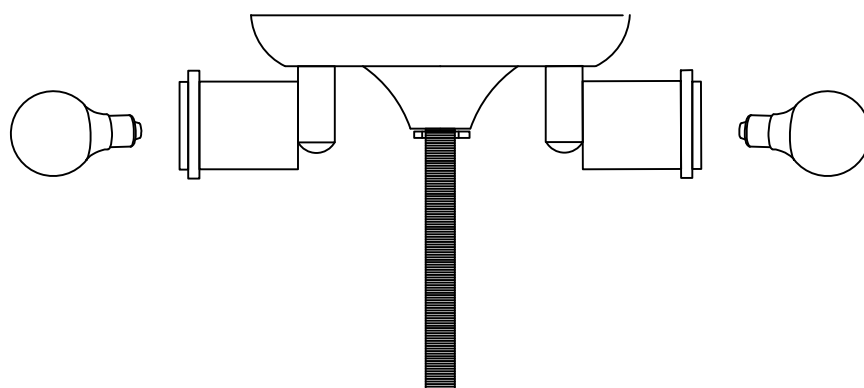
The wires in the home are connected to the wires in the lamps through the wire terminals

2



Use hand-made nuts to lock the lamp body on the hanging plate

3



Finally, assemble the lamp body