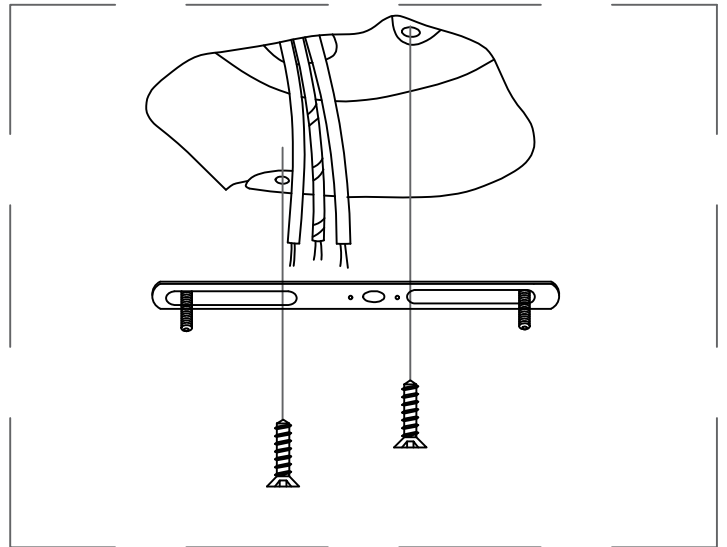
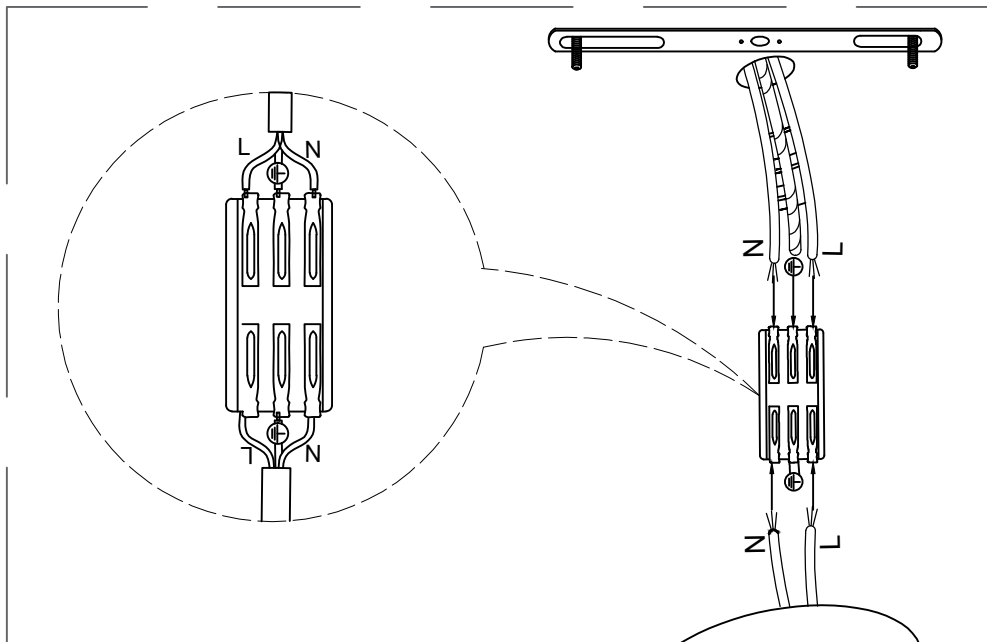
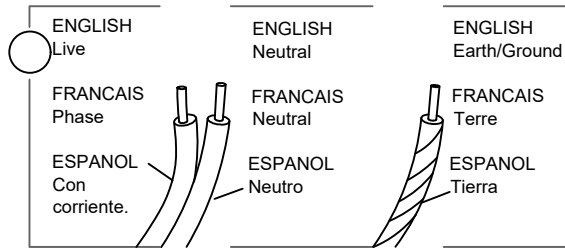


# 1

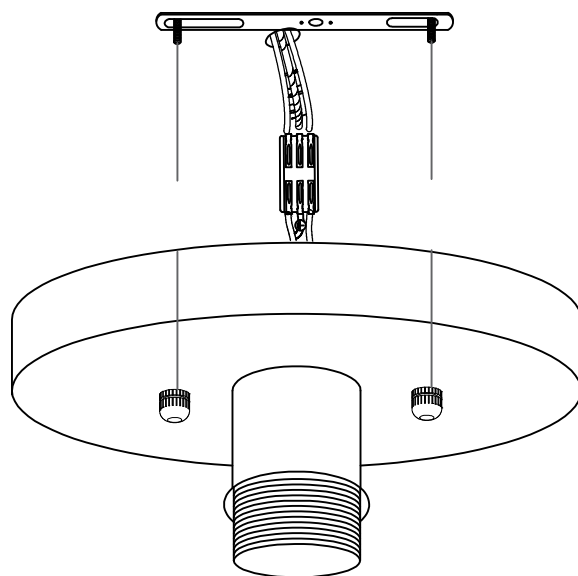


Fasten the hanging board to the ceiling with screws



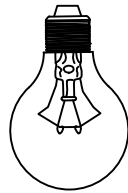
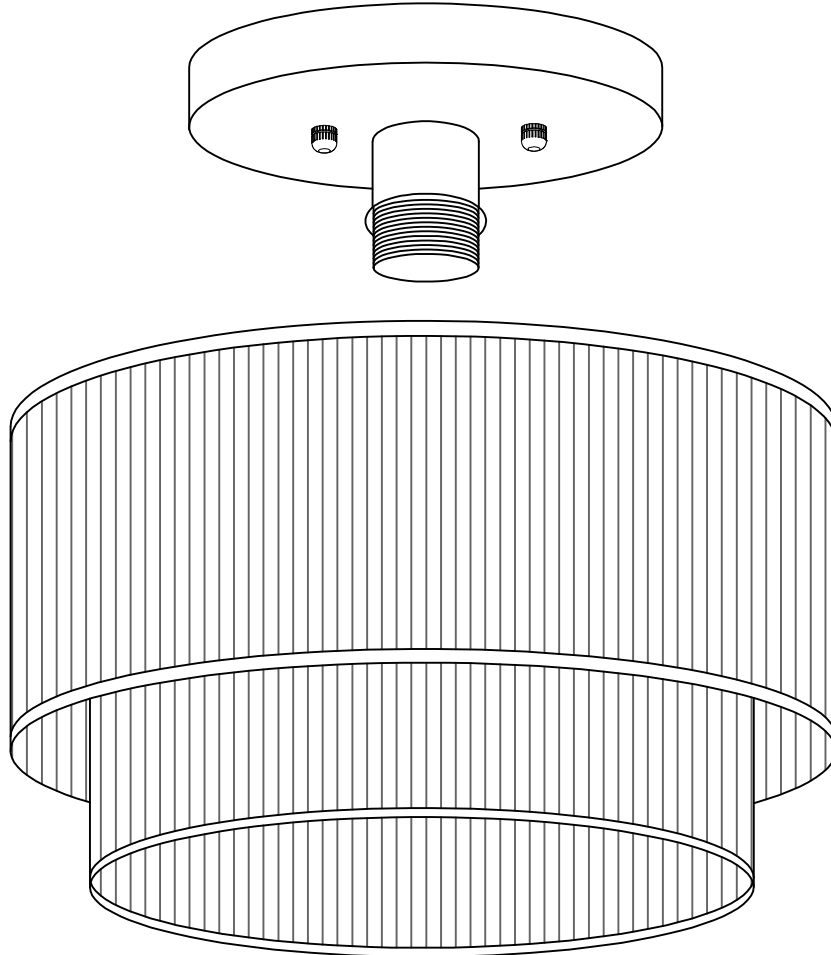
The wires in the home are connected to the wires in the lamps through the wire terminals

2



Use hand-made nuts to fix the lamp body on the hanging board

3



Installing light source  
and lampshade

