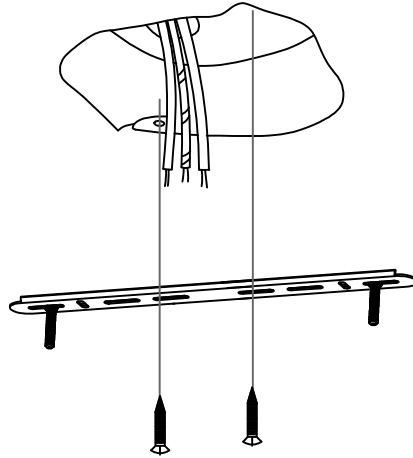
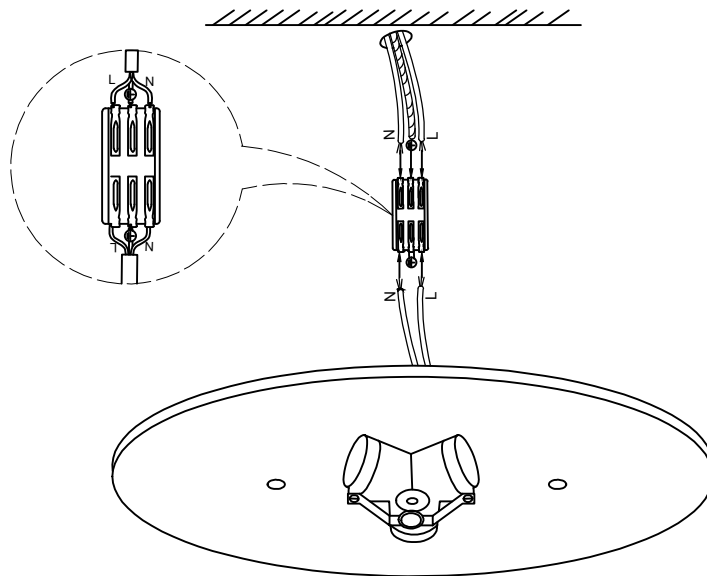


1

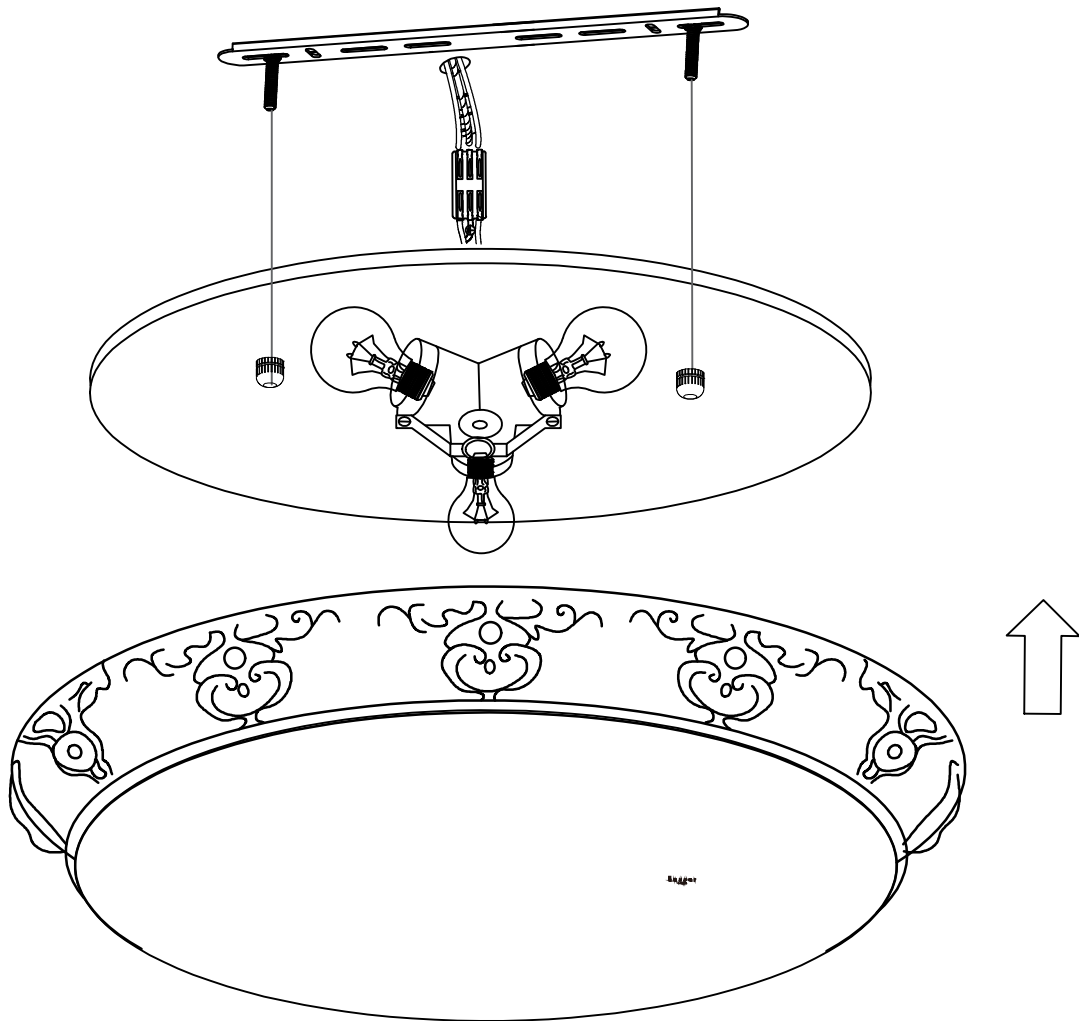


Fasten the hanging board to the ceiling with screws



The wires in the home are connected to the wires in the lamps through the wire terminals

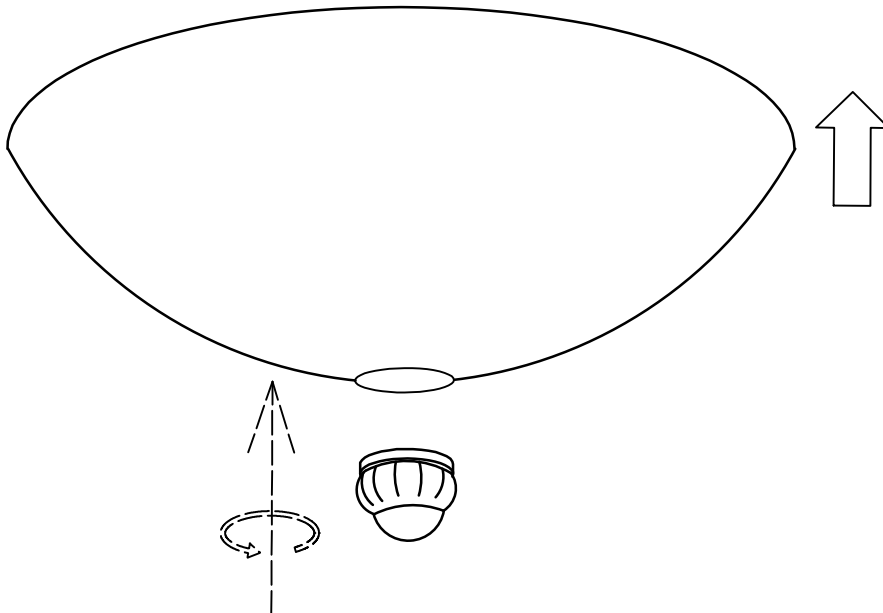
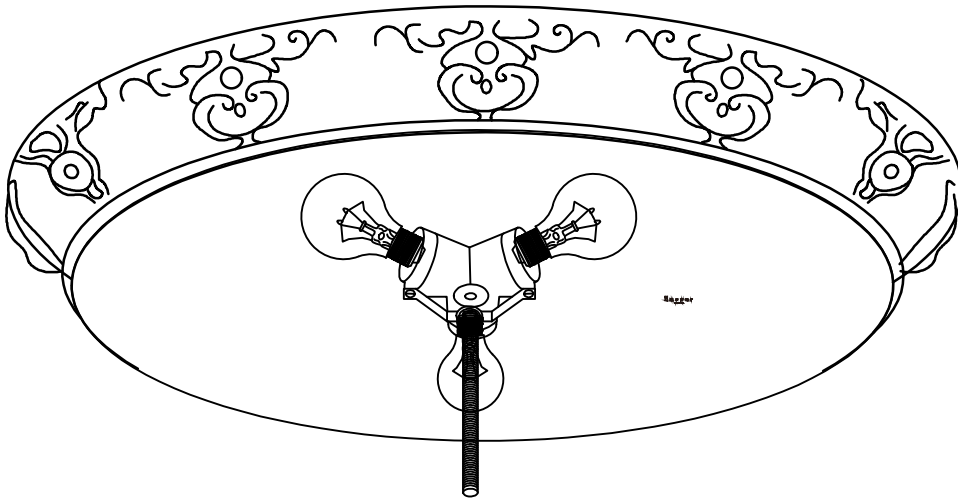
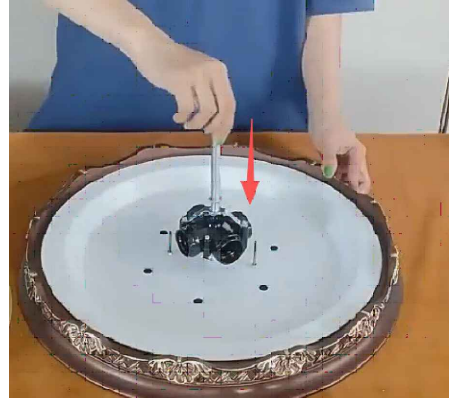
2



Install the light source and put it in the ring



3



Put on the glass lampshade and then lock the bottom with a hand nut