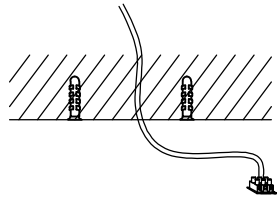


Installation instructions

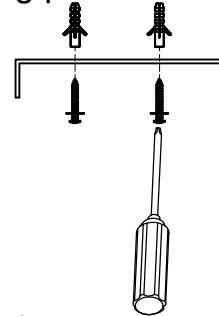
1

Install expansion rubber



2

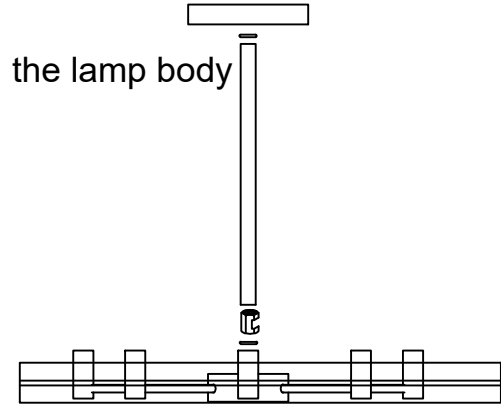
Install hanging plate



Use self-tapping screws to lock the hanging plate

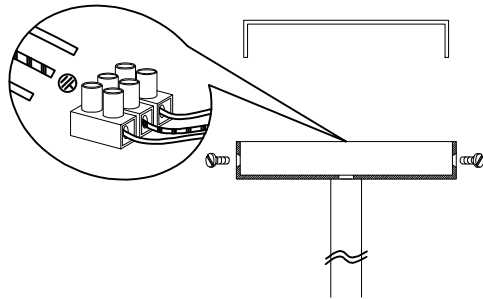
3

Install the lamp body



4

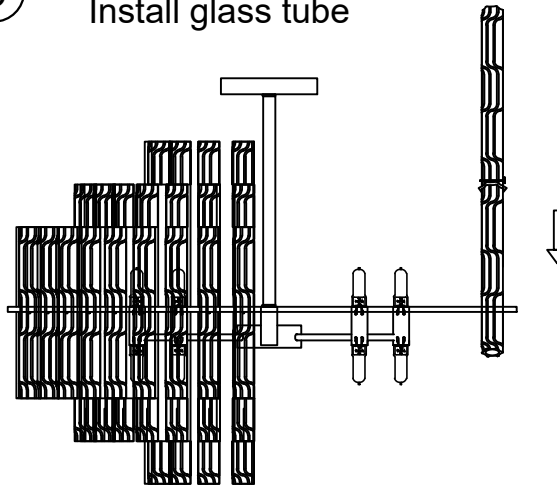
Connect wires



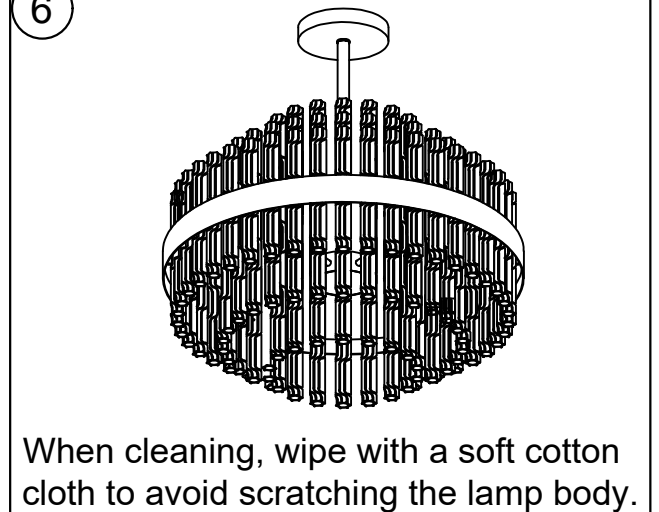
Lamp head wire: blue N, brown L

5

Install glass tube



6



When cleaning, wipe with a soft cotton cloth to avoid scratching the lamp body.

Note: Turn off the switch before wiring, and test with an electric pen first to prevent electric shock. Open the junction box, distinguish the positive and negative wires, and connect the terminals with an electric pen. The ground wire is connected to the middle interface of the terminal.