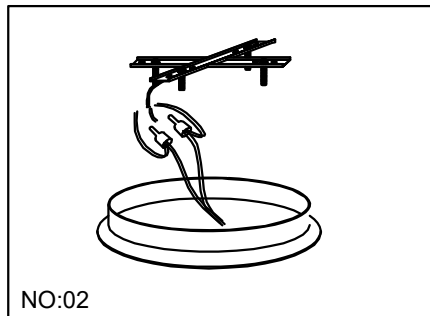
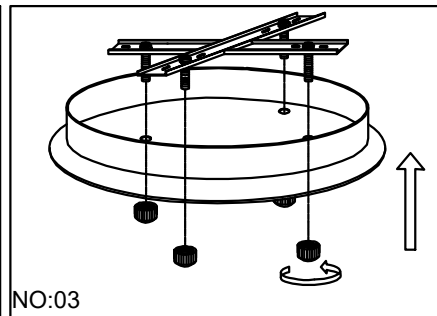


NO:01



NO:02



NO:03

installation instructions



Installation instructions

- 1: Fix the hanging board to the ceiling
- 2: Connect the lamp wires to the reserved wires
- 3: Connect the lamp body to the hanging plate