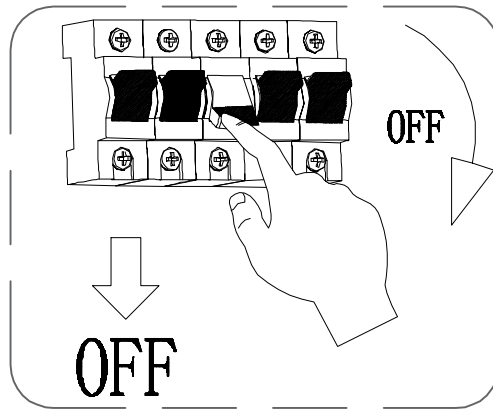
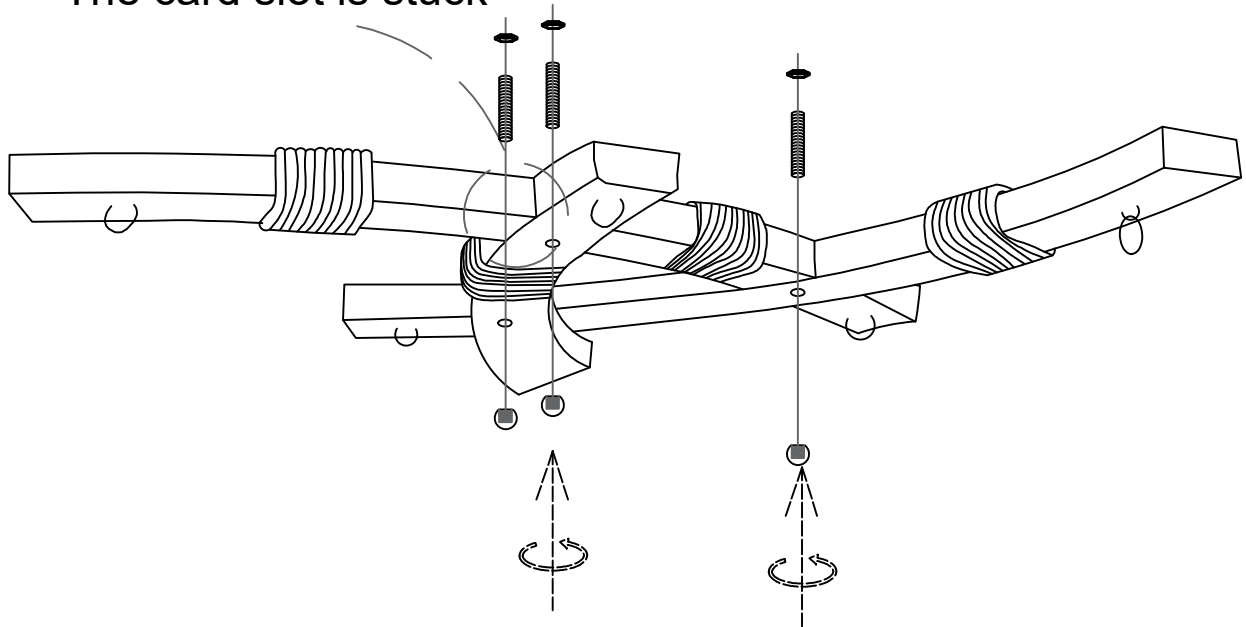


1



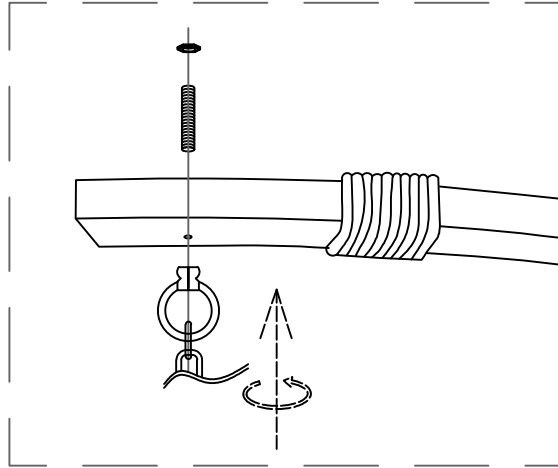
The card slot is stuck



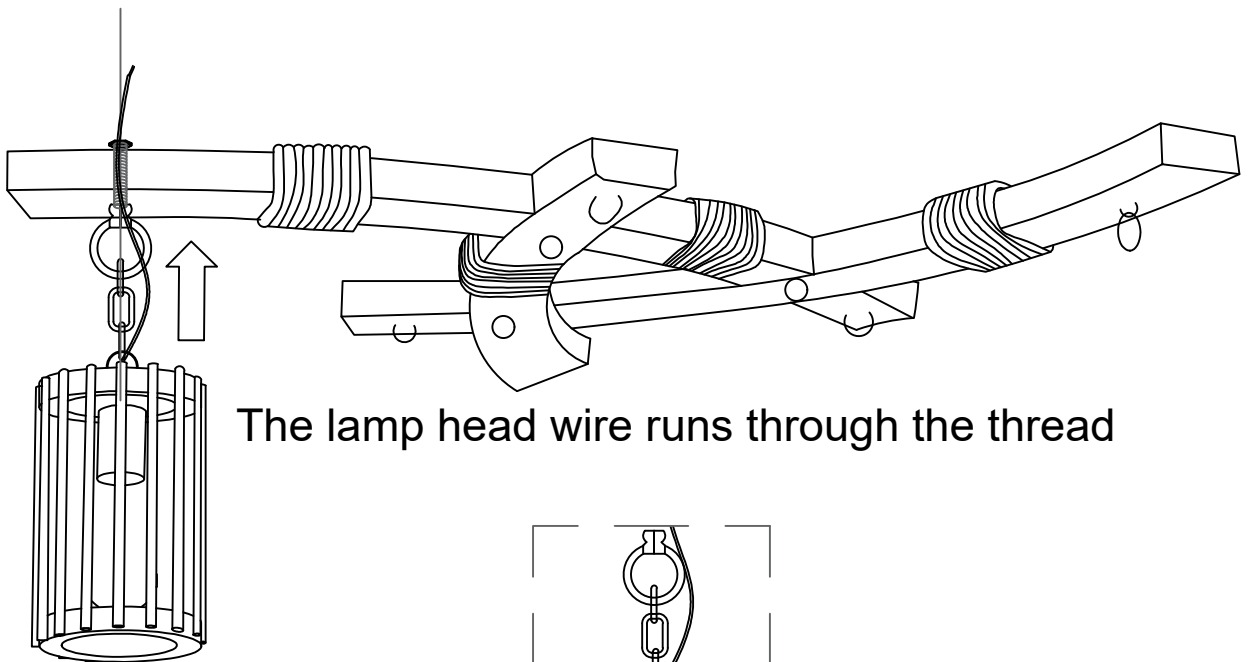
Assemble the lamp body first

The lamp body is stuck in the slot, the thread is passed, and the nut is fixed

2

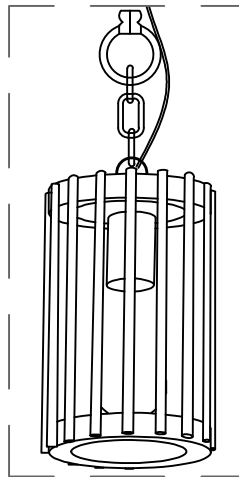


The thread is threaded, the upper nut is fixed, and the lower lampshade is fixed with the ring on top

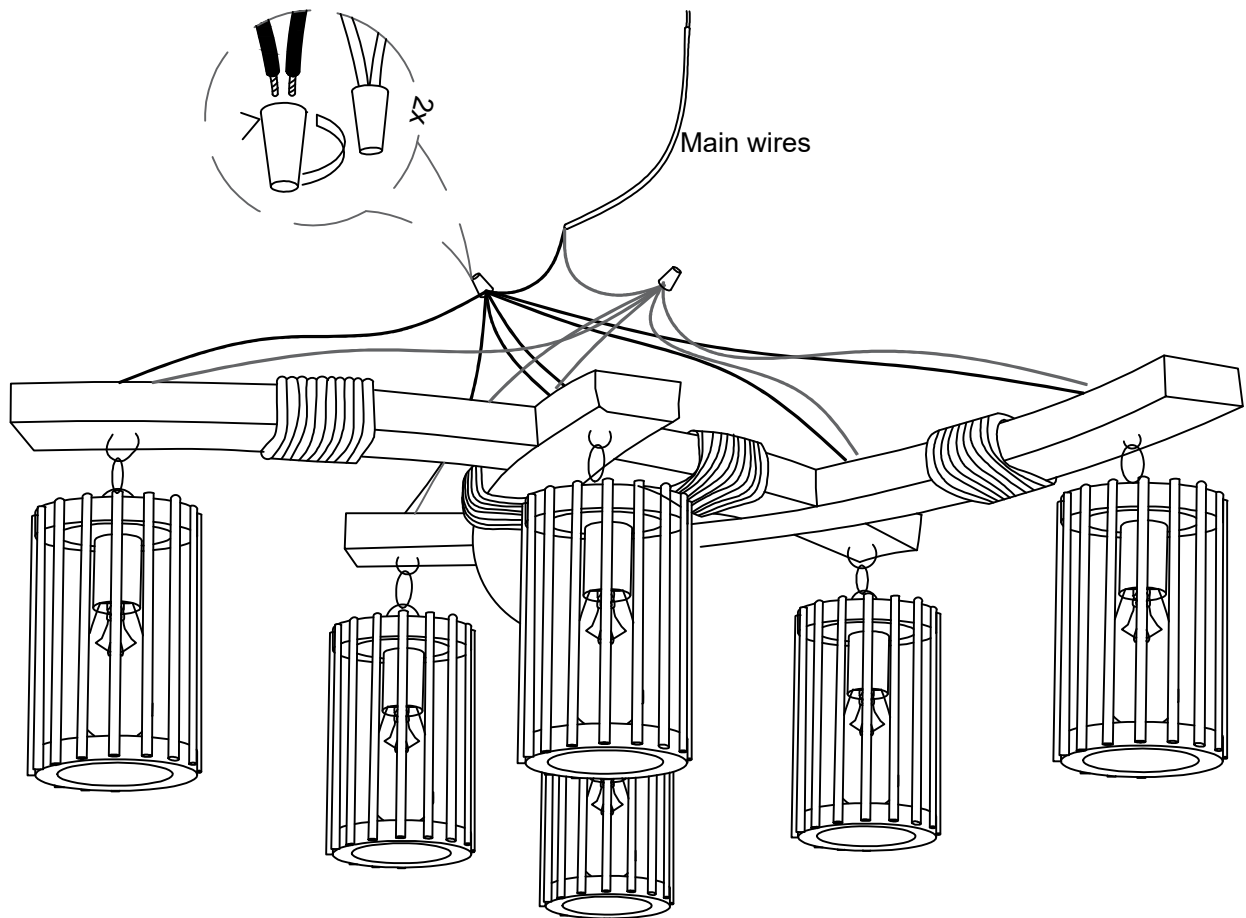


The lamp head wire runs through the thread

Install other lampshades in the same way

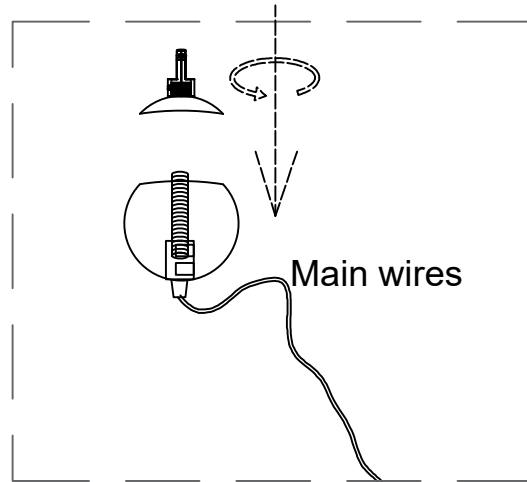


3

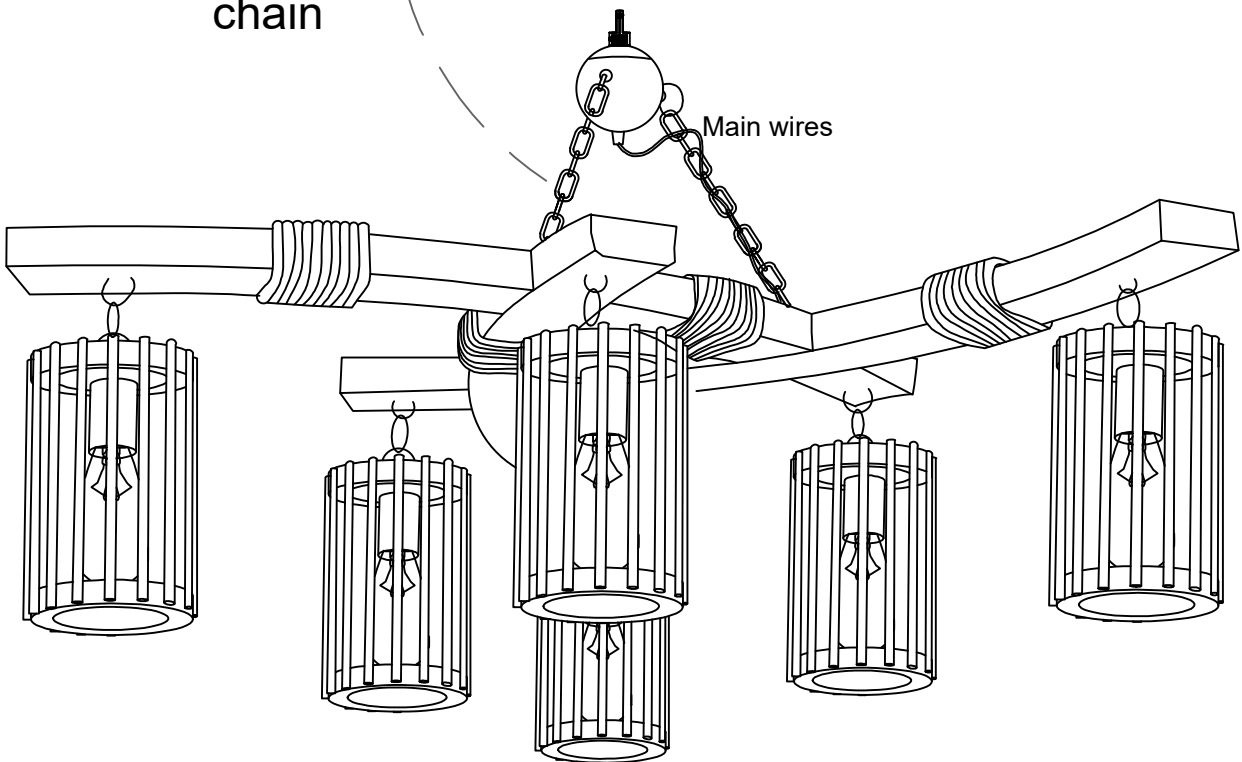


- ① Use electrical tape or terminal caps for wiring
- ② The main line is connected to the wires of the same color

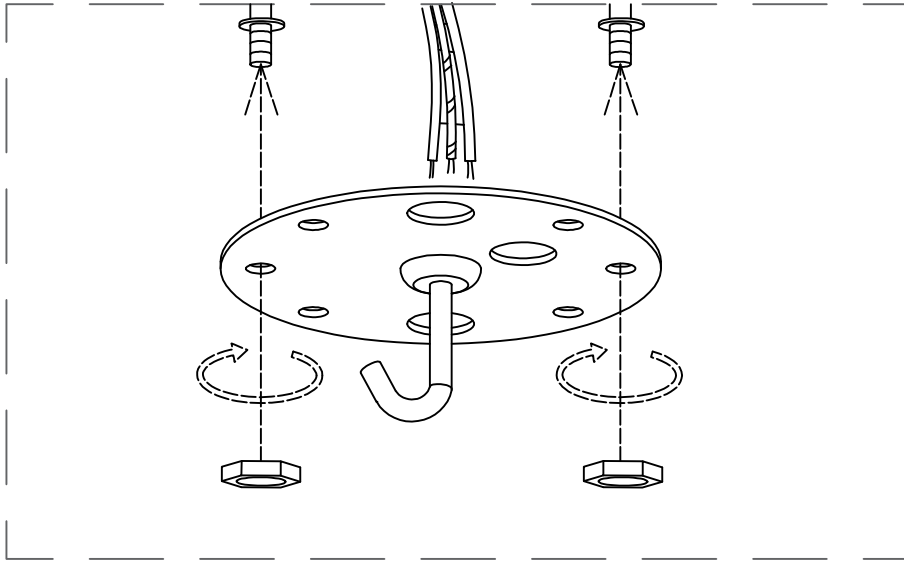
4



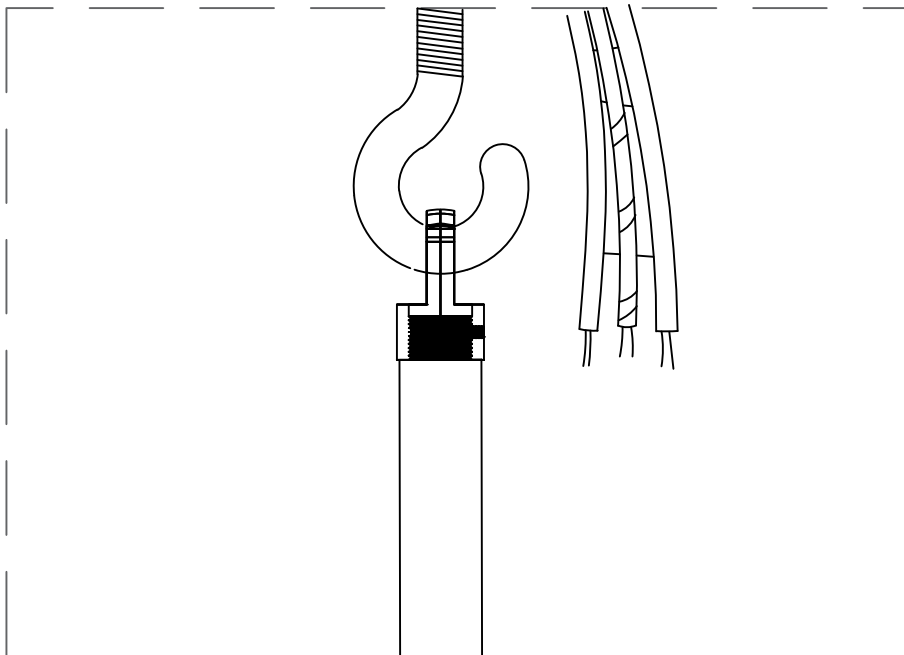
The lamp body and the ball are connected by a chain



5

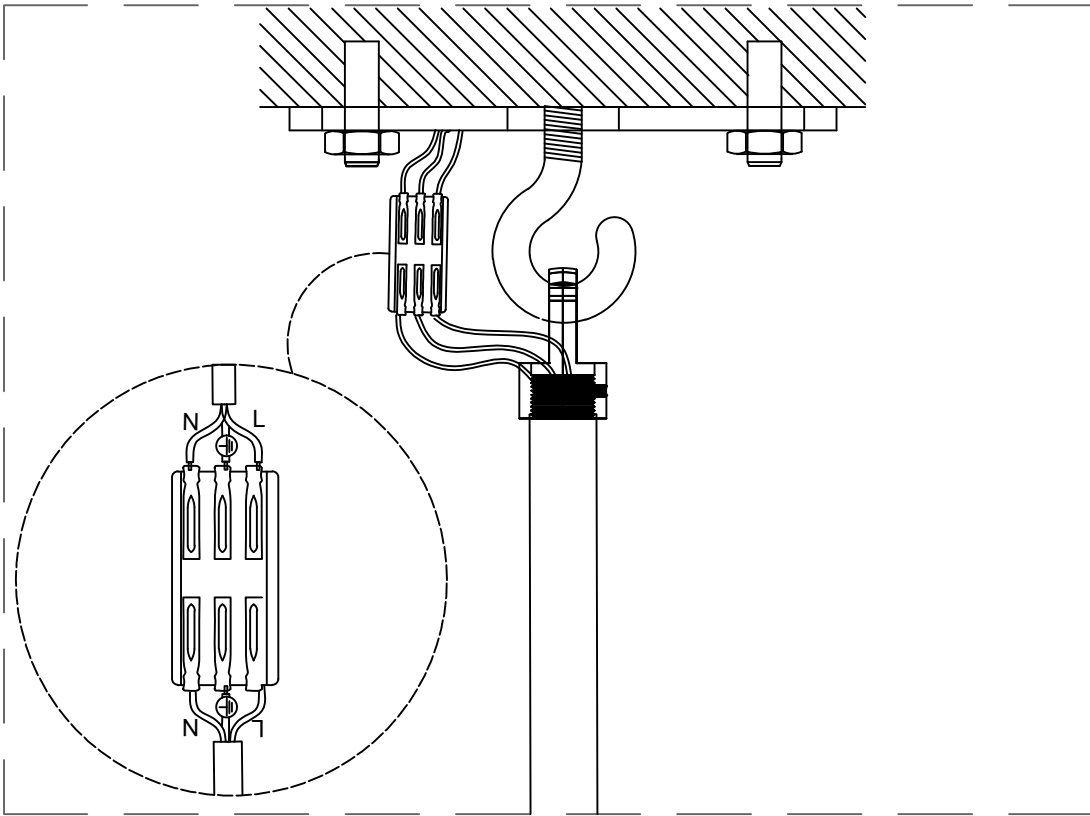


Install expansion bolts and fix the hanging plate



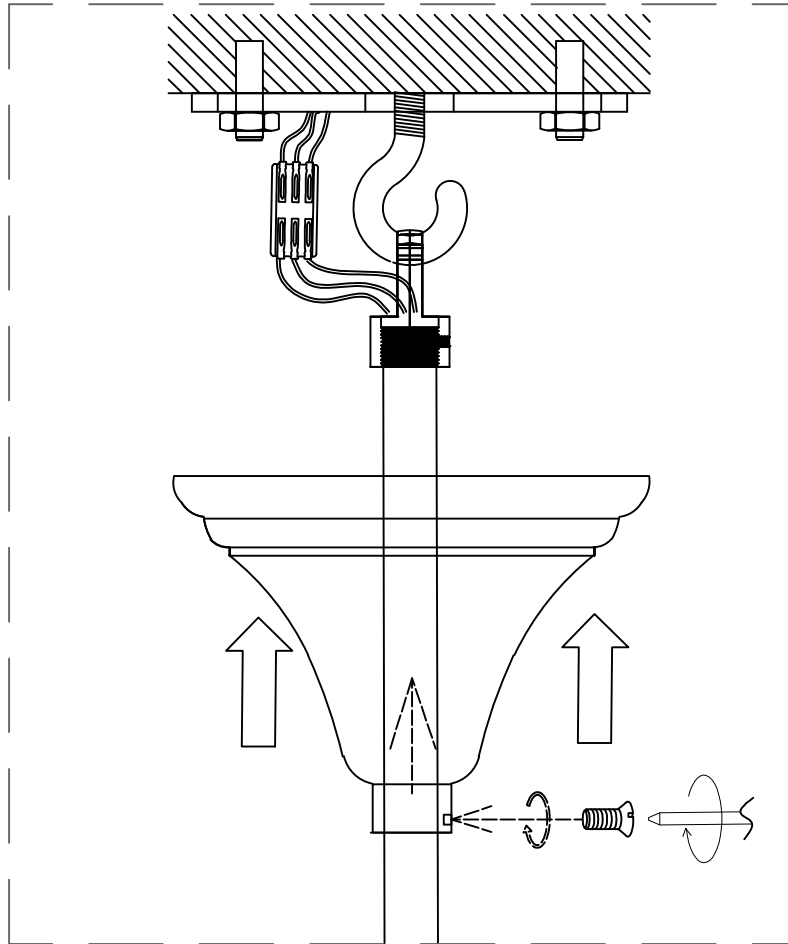
Connecting hook

6



Connect the lamp body to the reserved wires

7



Use the ceiling plate to cover the hanging board, and then tighten the screws to fix it

