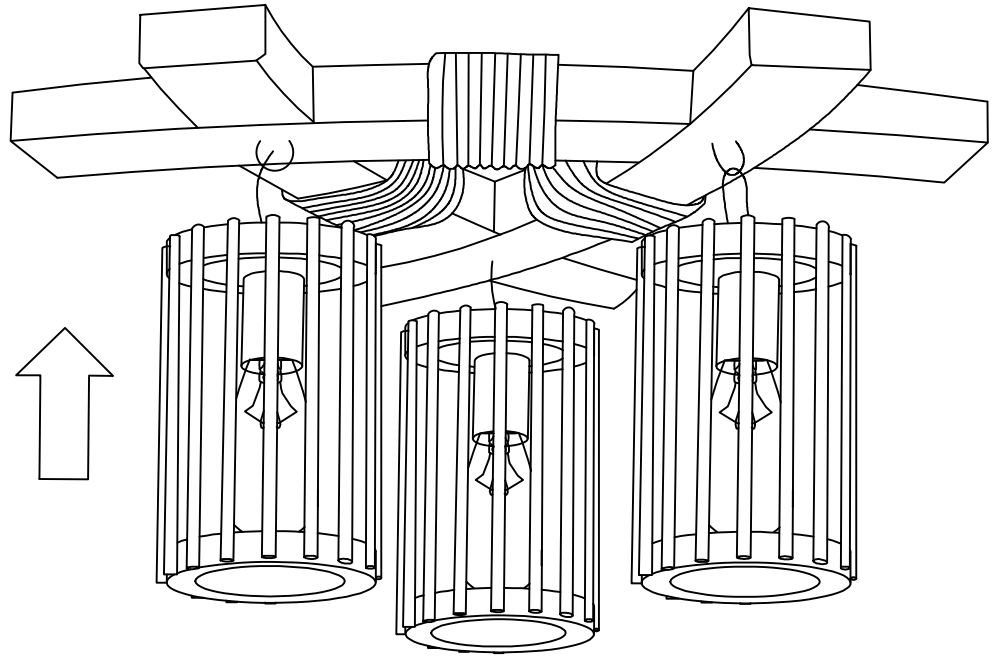
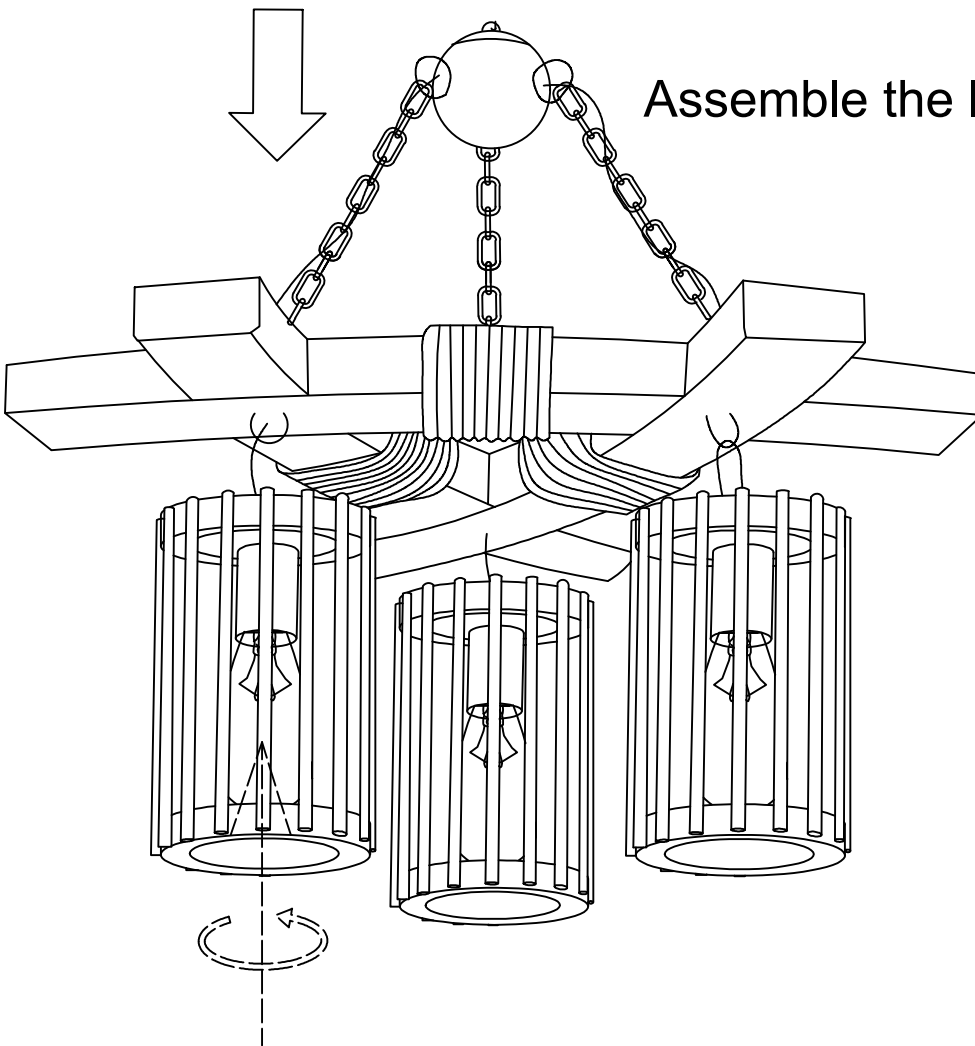


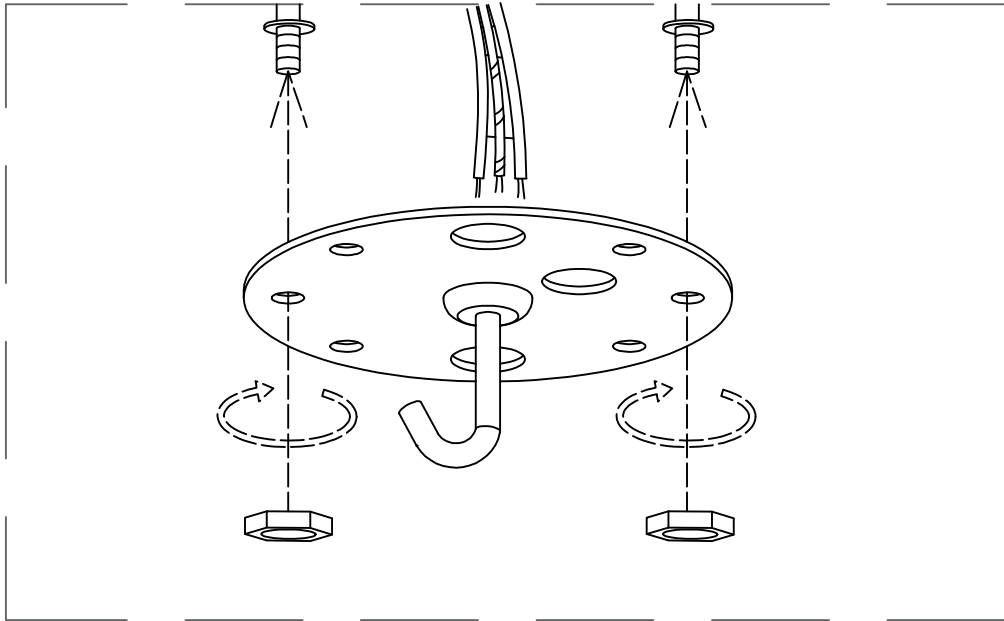
1



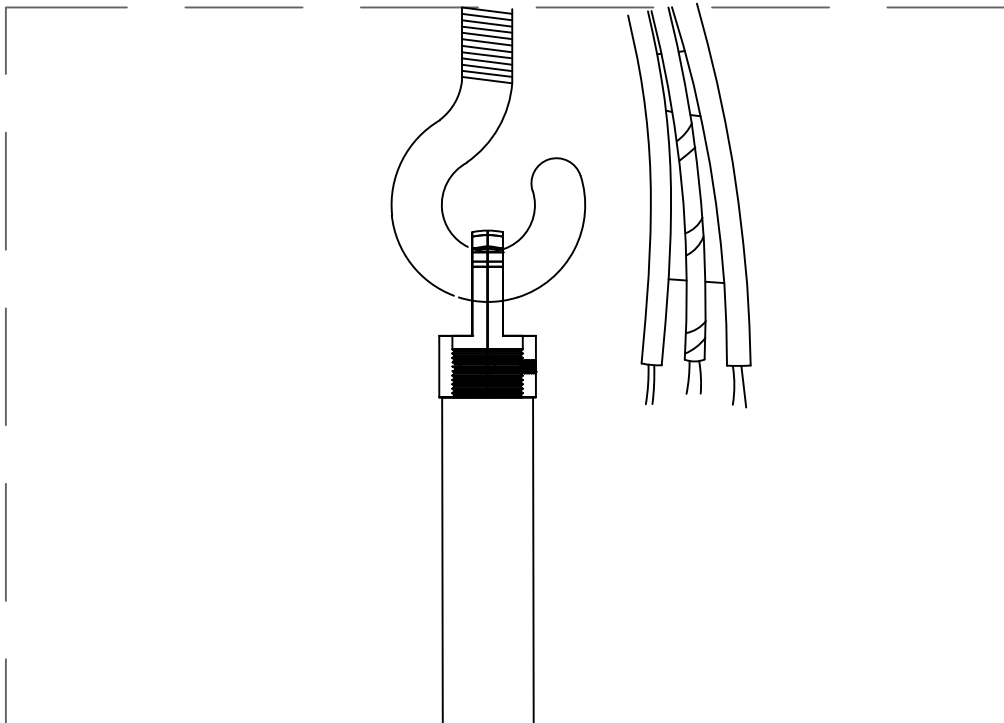
Assemble the lamp body first



2

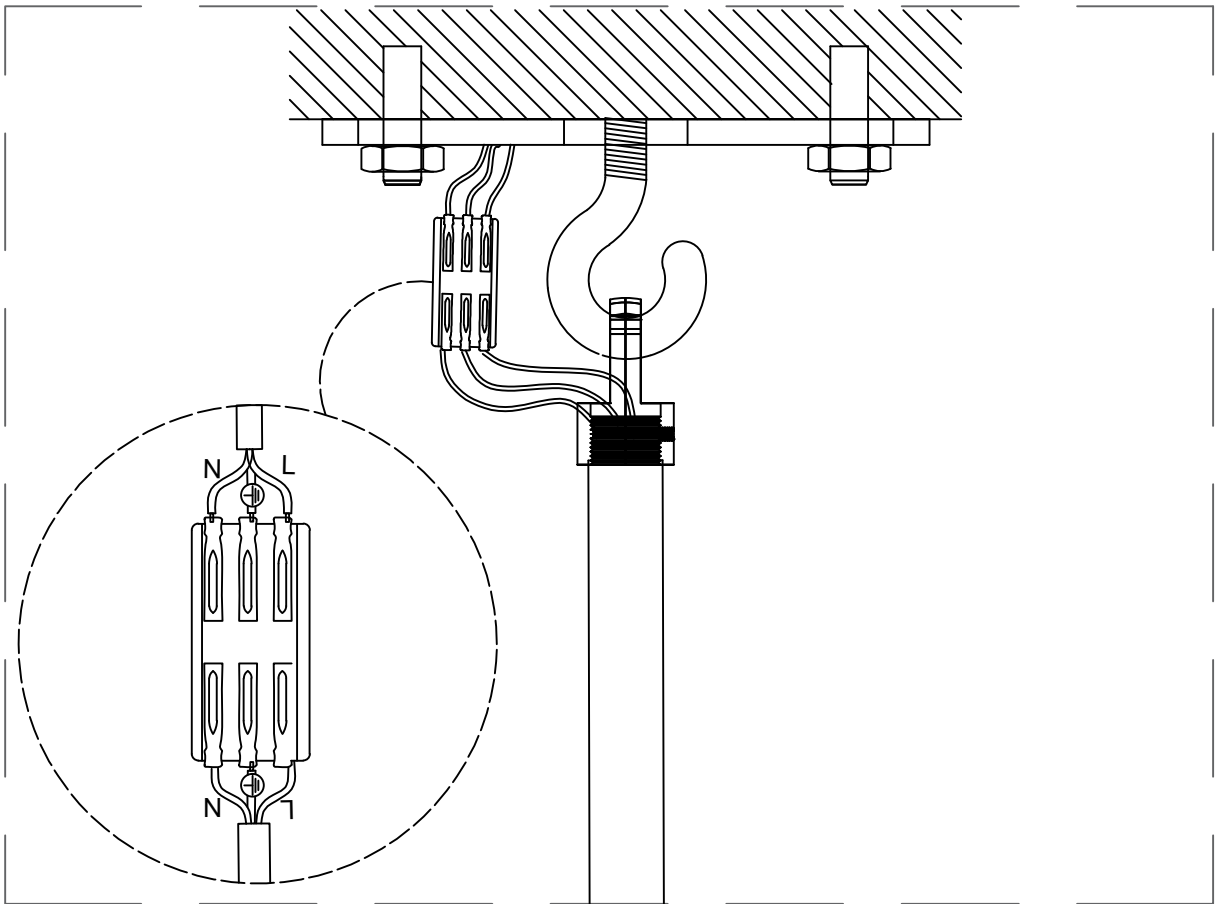


Install expansion bolts and fix the hanging plate



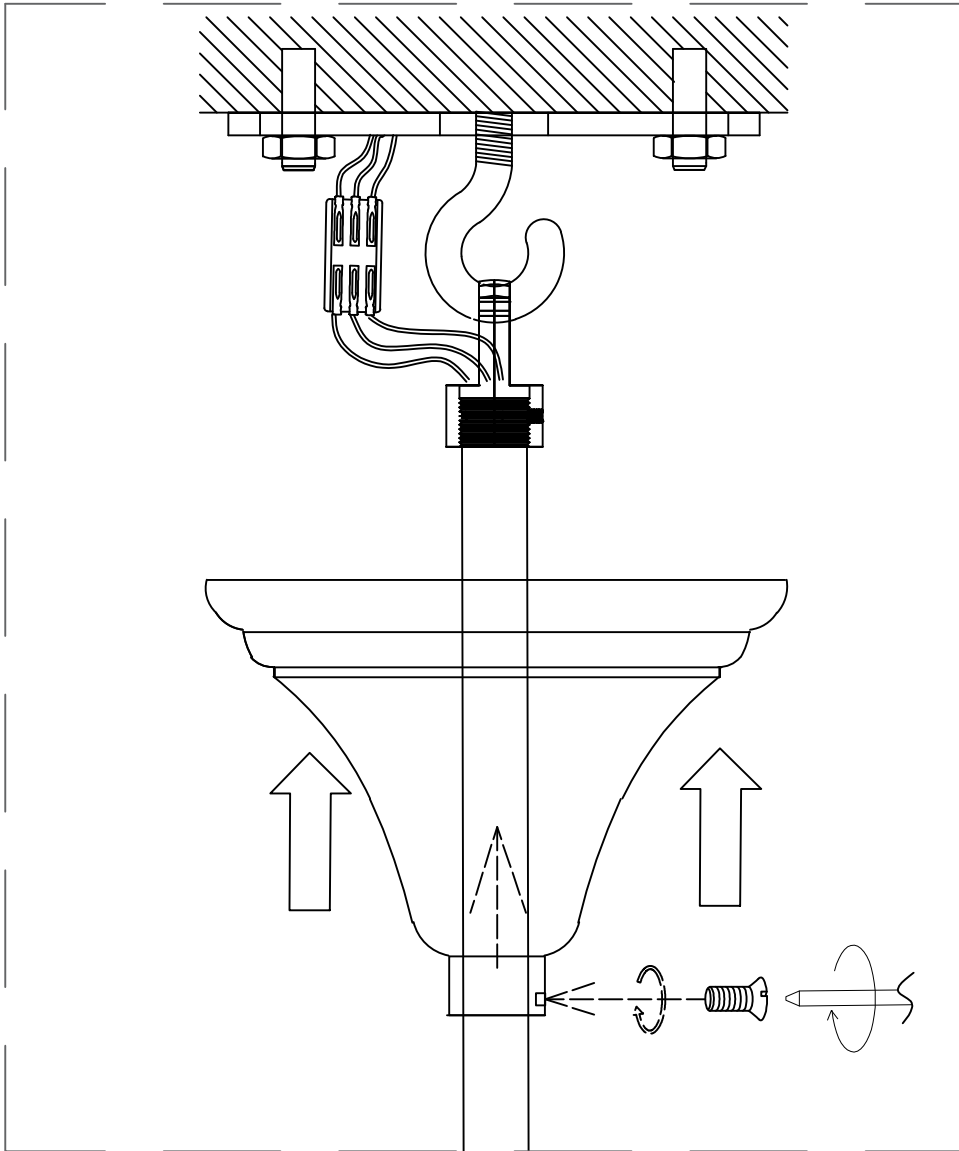
Connecting hook

3



Connect the lamp body to the reserved wires

4



Use the ceiling plate to cover the hanging board, and then tighten the screws to fix it