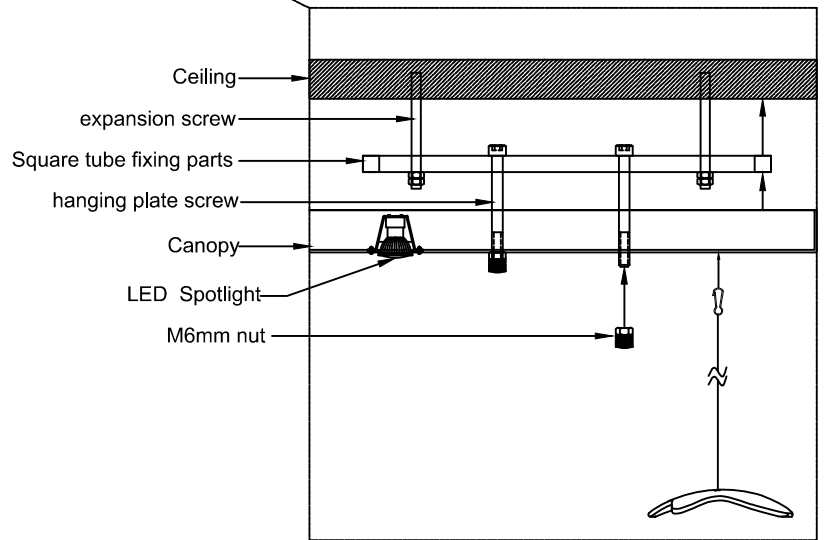
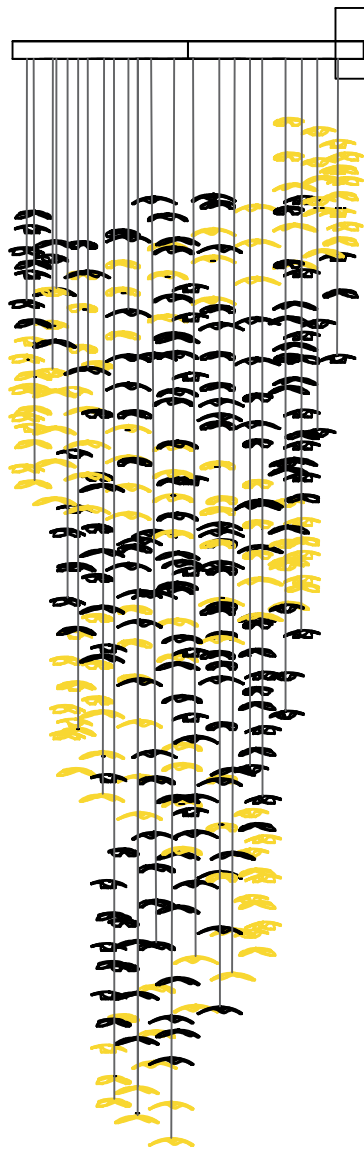
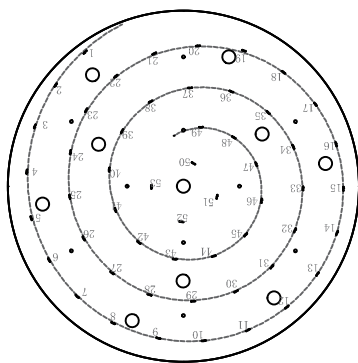
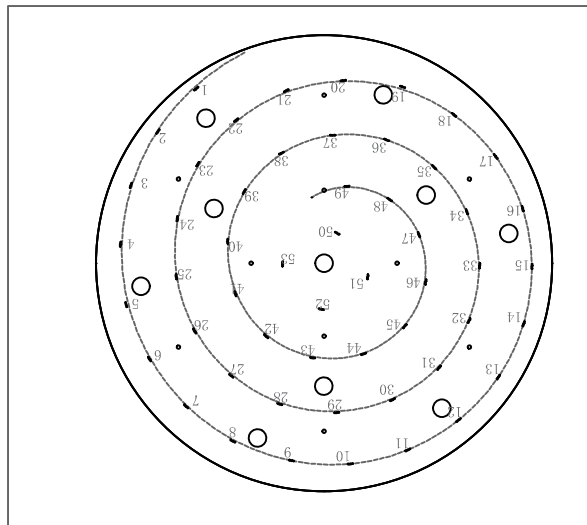


# Installation instructions

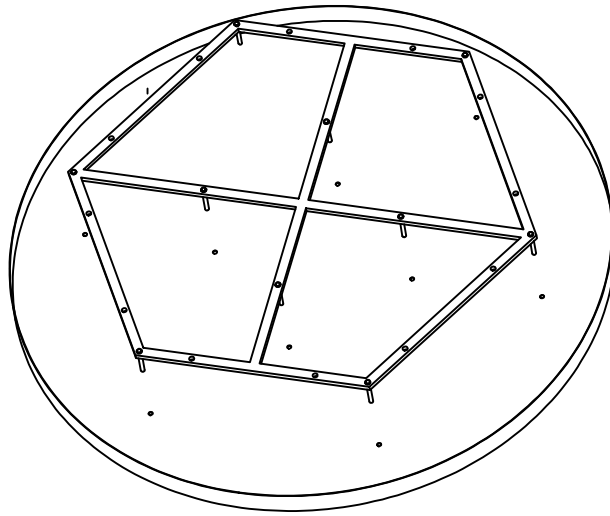


Enlarged Detail



Please hang the glass according to the numerical labels on the blueprint.

1 → → → → → 7 → → → → →



- 1 Use expansion screws to hit the baffle on the ceiling
- 2 The light line is connected to the electrical wiring in the home
- 3 After the wires are connected, the ceiling tray is fixed to the hanging plate above the ceiling with a manual nut
- 4 The glass-covered bag has a numerical serial number on it, which is hung on the serial number on the ceiling tray according to the serial number