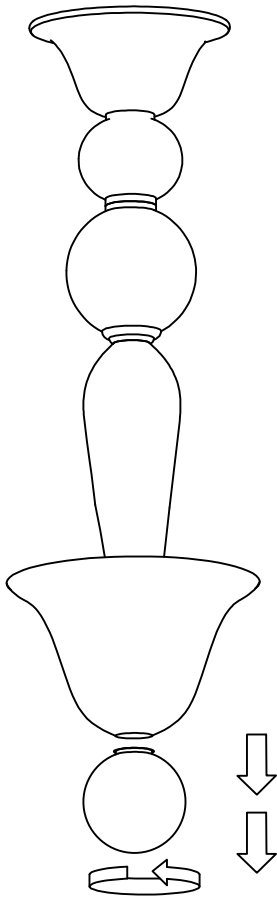
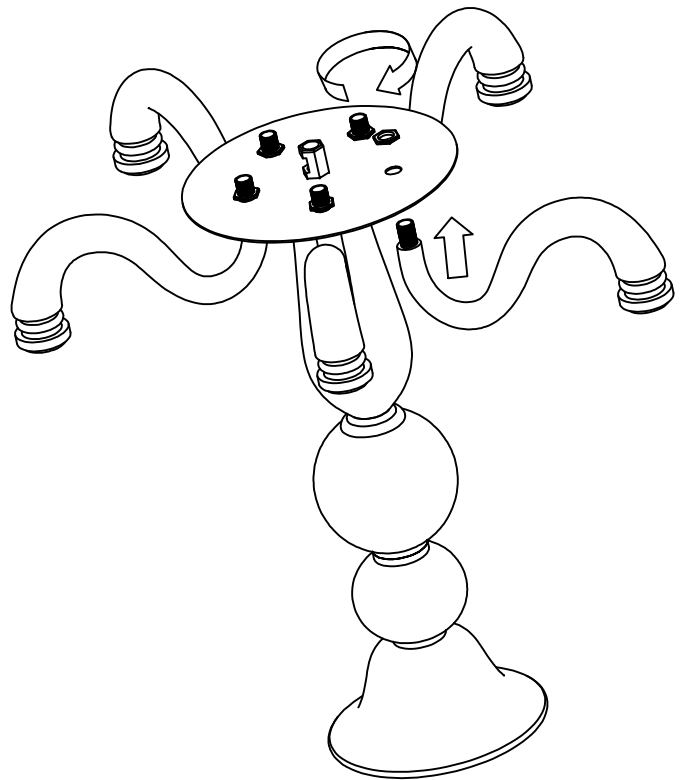


1

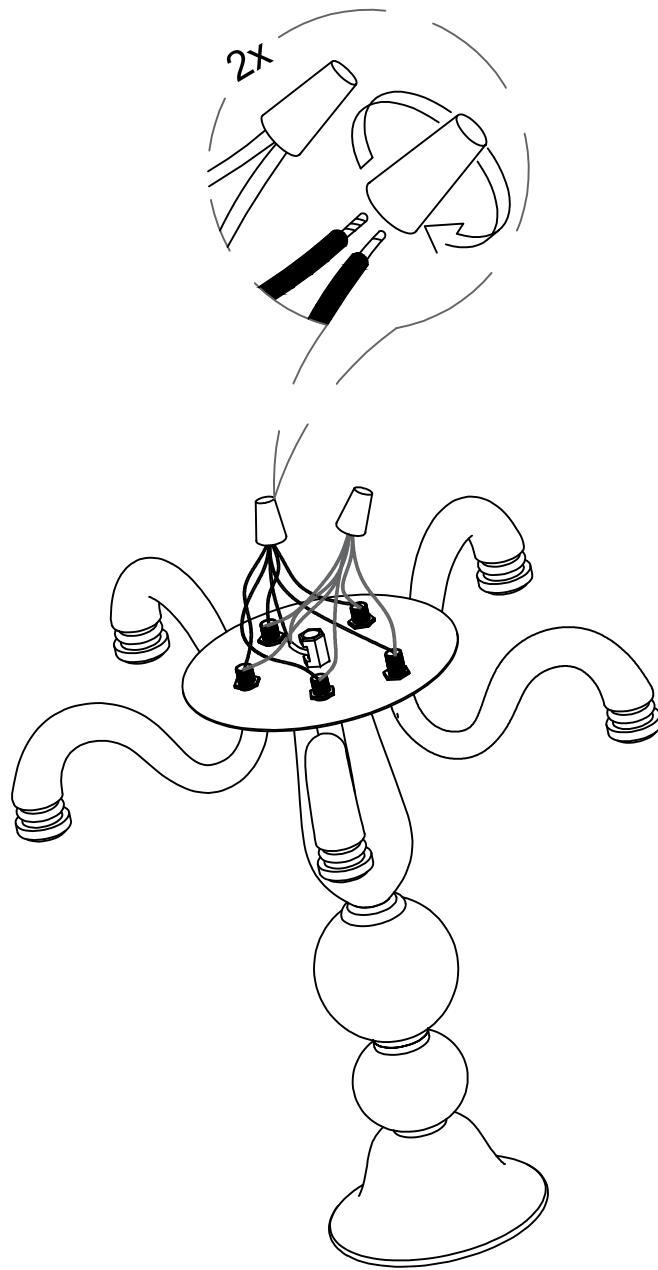


Rotate and twist the bottom bracket of the lamp body



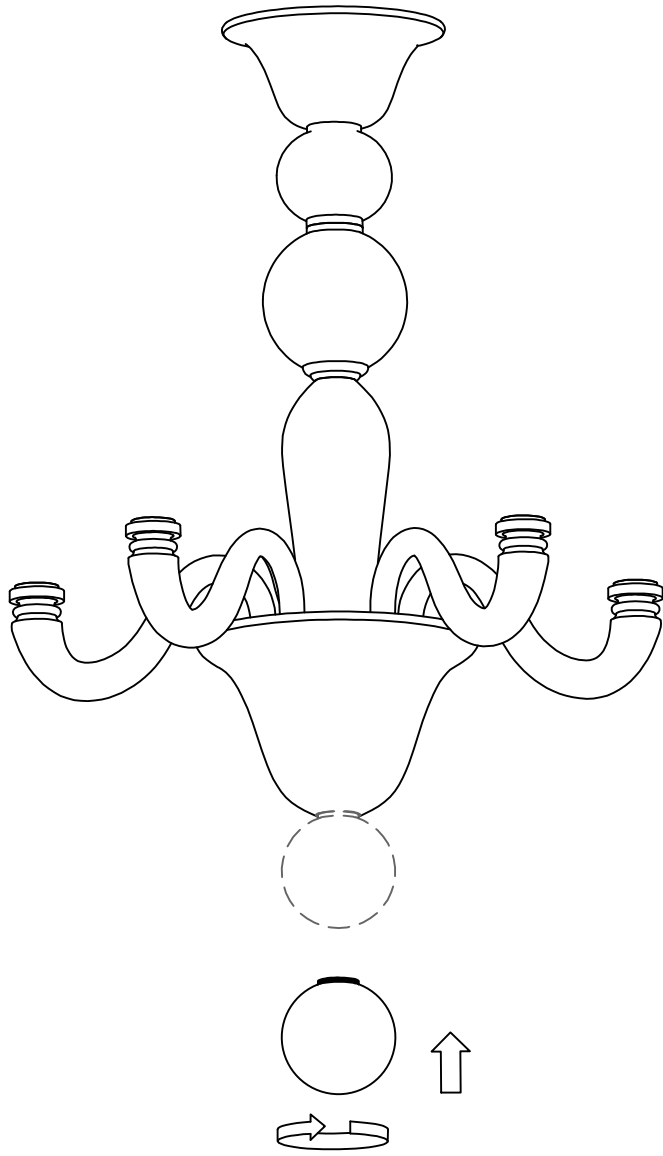
Use screws to lock the lamp arm onto the lamp body

2



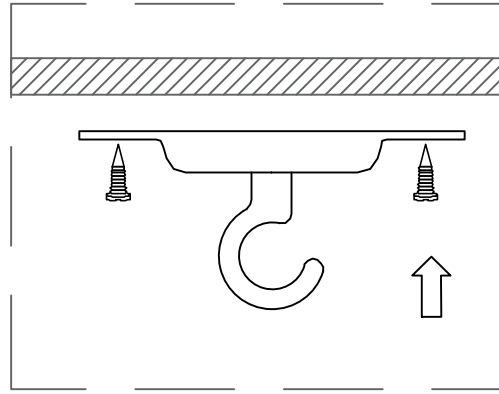
The main line is connected to the wires of the same color

3

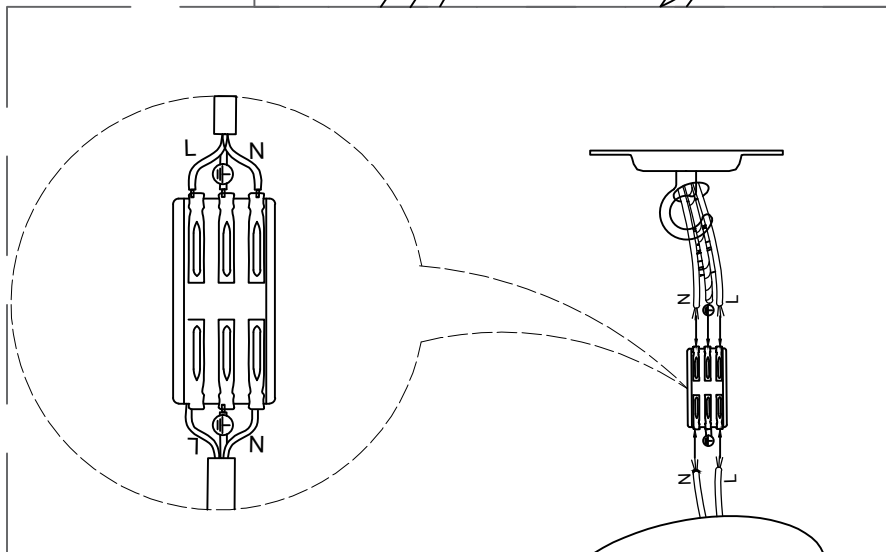
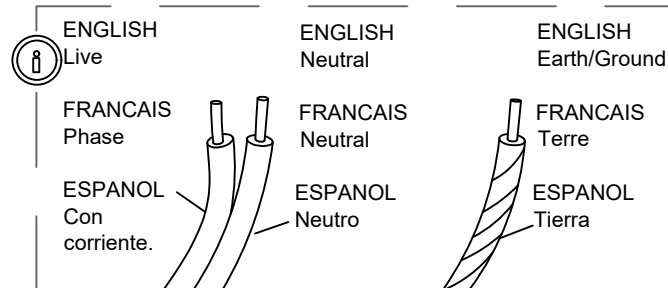


Install the base

4



Fasten the hanging board to the ceiling with screws



The wires in the home are connected to the wires in the lamps through the wire terminals

5

