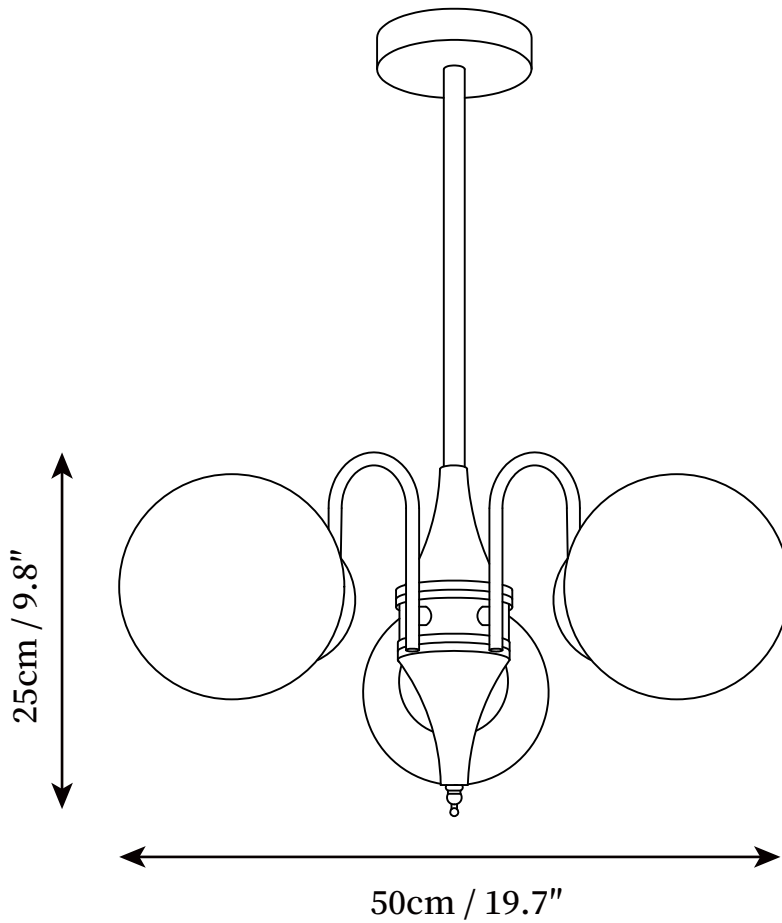


# SPECIFICATION SHEET

---



## SPECIFICATION DETAILS

\*For custom options, consult factory for details

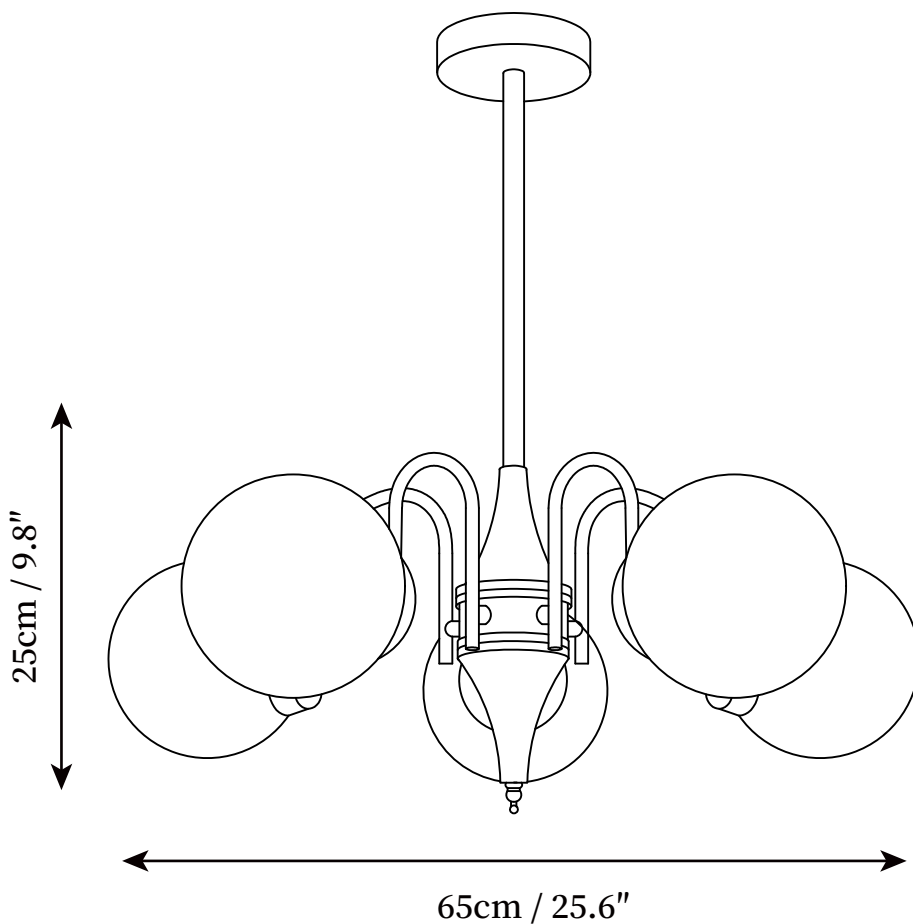
---

<b>Fixture Dimensions</b>	D 19.7" x H 9.8" (3heads)
<b>Light source</b>	E26 or E27 (bulb not included)
<b>Wattage</b>	MAX 40W incandescent bulb or LED equivalent.
<b>Voltage</b>	AC 110-240V
<b>Mounting</b>	Hardwired.
<b>Dimming</b>	Compatible with dimmable bulbs (bulb not included)
<b>Control method</b>	Compatible with common wall switches(not included)
<b>Finishes</b>	Beige+Gold, Beige+Red
<b>Glass Finishes</b>	White
<b>Material</b>	Metal, Glass
<b>Rod Length</b>	Suspension rod is 3.9"+7.8"+7.8", and can be spliced as needed.

---

# SPECIFICATION SHEET

---



## SPECIFICATION DETAILS

\*For custom options, consult factory for details

---

<b>Fixture Dimensions</b>	D 25.6" x H 9.8" (5heads)
<b>Light source</b>	E26 or E27 (bulb not included)
<b>Wattage</b>	MAX 40W incandescent bulb or LED equivalent.
<b>Voltage</b>	AC 110-240V
<b>Mounting</b>	Hardwired.
<b>Dimming</b>	Compatible with dimmable bulbs (bulb not included)
<b>Control method</b>	Compatible with common wall switches (not included)
<b>Finishes</b>	Beige+Gold, Beige+Red
<b>Glass Finishes</b>	White
<b>Material</b>	Metal, Glass
<b>Rod Length</b>	Suspension rod is 3.9"+7.8"+7.8", and can be spliced as needed.

---