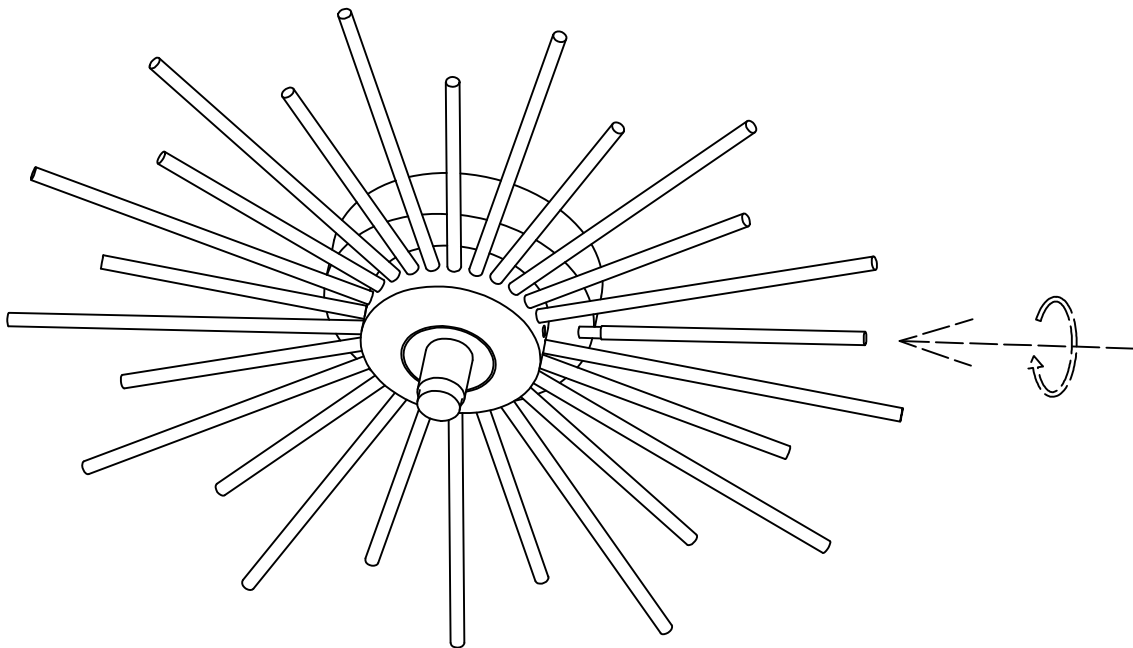
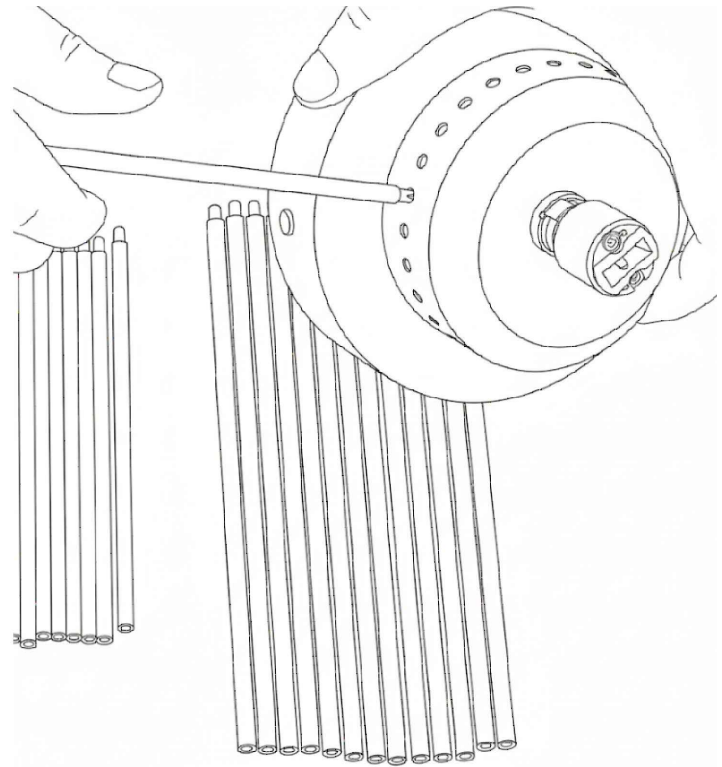
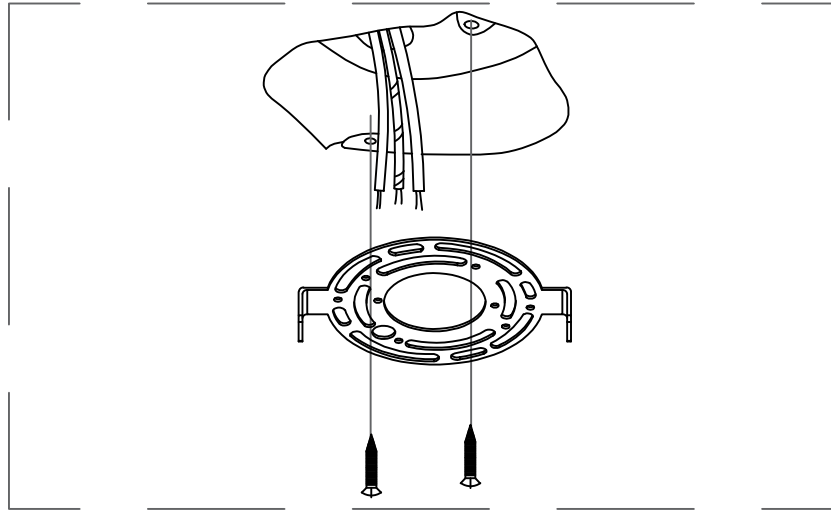


1

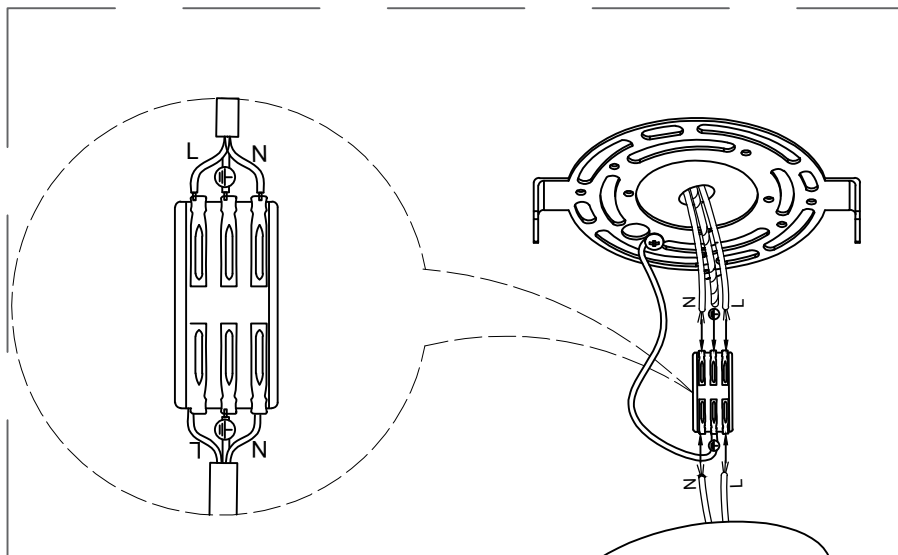
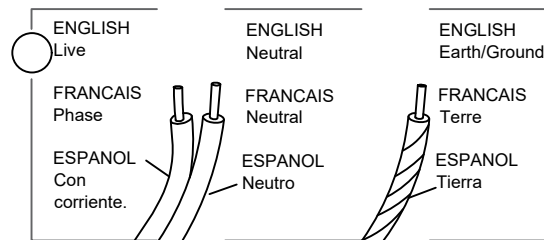


First, twist the straight pole, one long and one short, on the lamp body in order

# 2

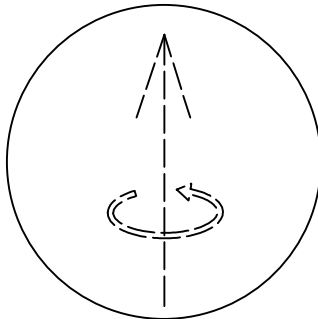
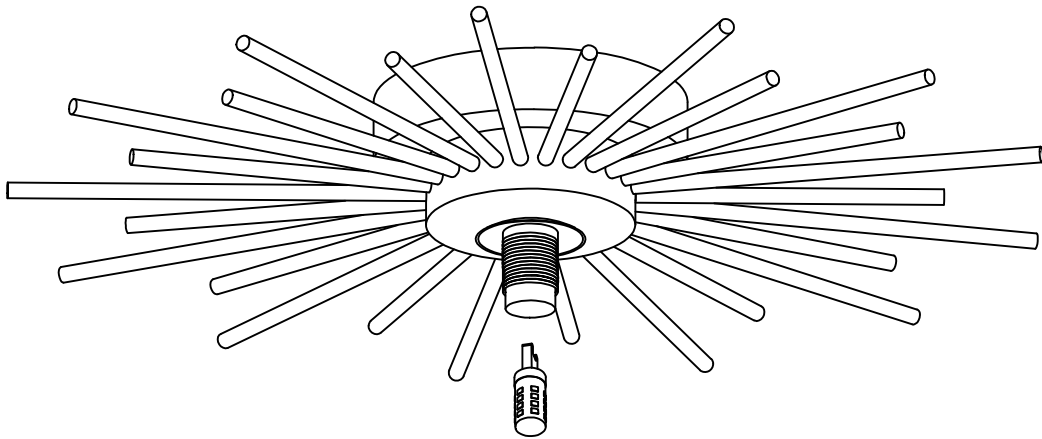


Fasten the hanging board to the ceiling with screws



The wires in the home are connected to the wires in the lamps through the wire terminals

3



Installing light source and lampshade