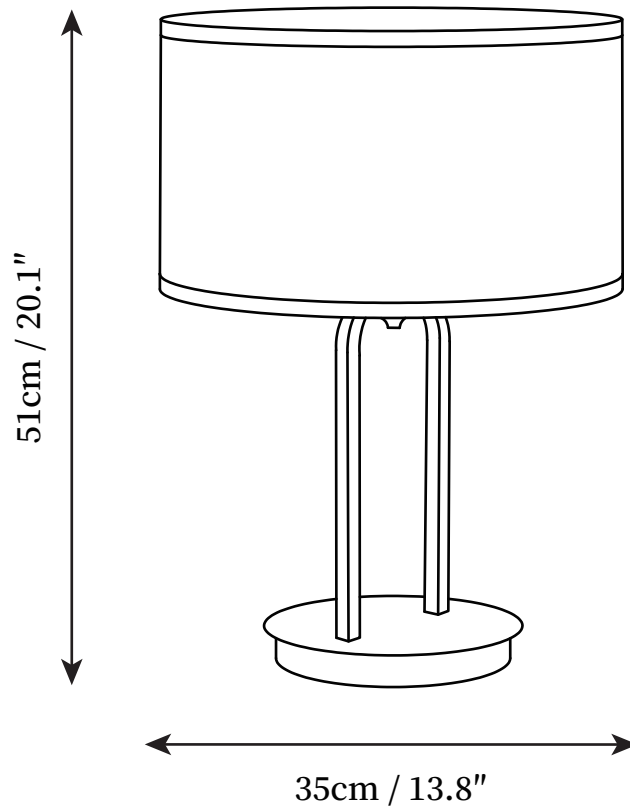


# SPECIFICATION SHEET

---



## SPECIFICATION DETAILS

\*For custom options, consult factory for details

|                             |   |
|-----------------------------|---|
| <b>Fixture Dimensions</b>   | D 13.8" x H 20.1"                           |
| <b>Light source</b>         | E26 or E27                                  |
| <b>Wattage</b>              | 40W   |
| <b>Voltage</b>              | AC 110-240V                                 |
| <b>Color Temperature</b>    | Based on the purchase of light bulbs        |
| <b>CRI(Ra)</b>              | 80CRI                                       |
| <b>Mounting</b>             | Table                                       |
| <b>Driver Required</b>      | NO  |
| <b>Optional Color Temps</b> | Buy bulbs as needed                         |
| <b>LED Rated Life</b>       | Based on bulb life (we do not supply bulbs) |
| <b>Dimming</b>              | Dimming is not supported                    |
| <b>Finishes</b>             | Gold  |
| <b>Shade Details</b>        | White                                       |
| <b>Material</b>             | Iron, Metal, Fabric                         |
| <b>Wire Length</b>          | 59"   |
| <b>Wire Type</b>            | Wire with switch plug                       |