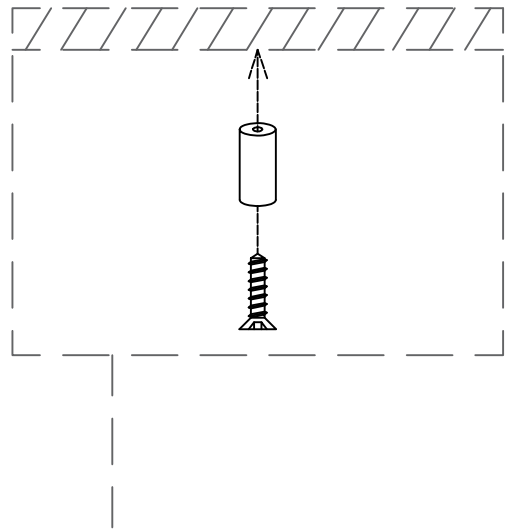
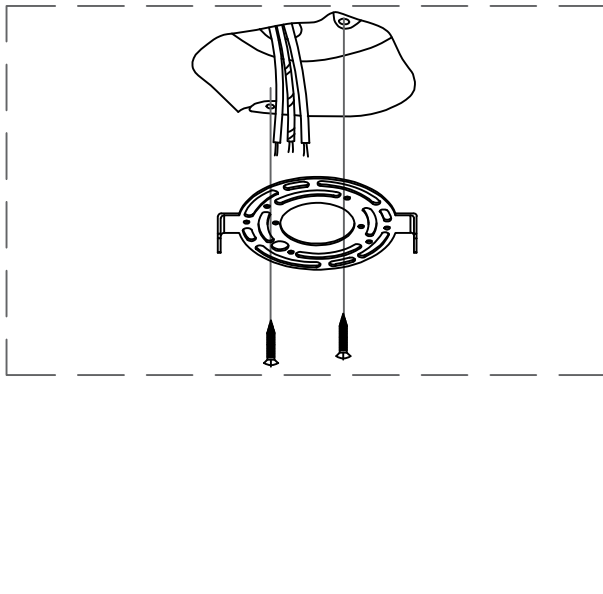


1

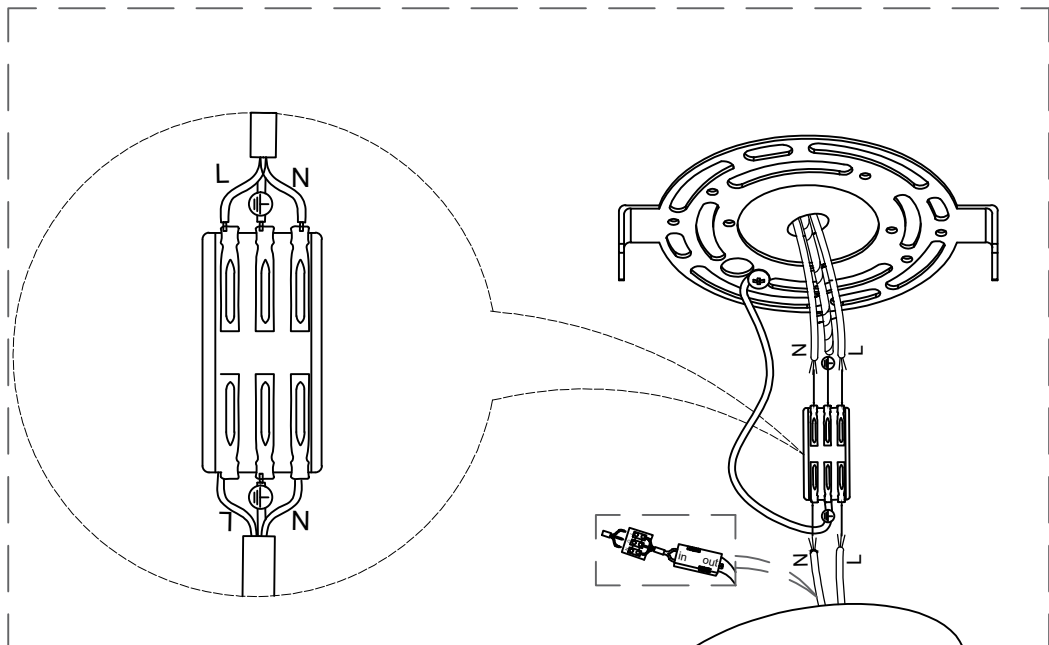
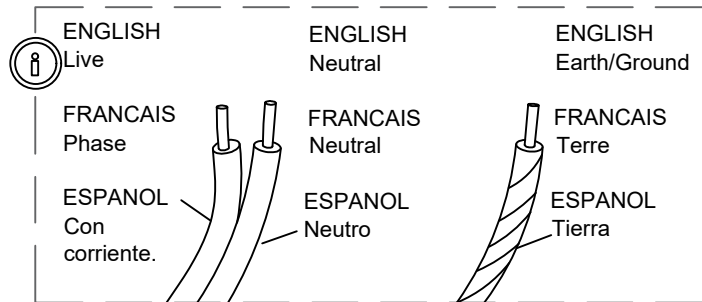


Mark the place on the ceiling where expansion screws need to be made



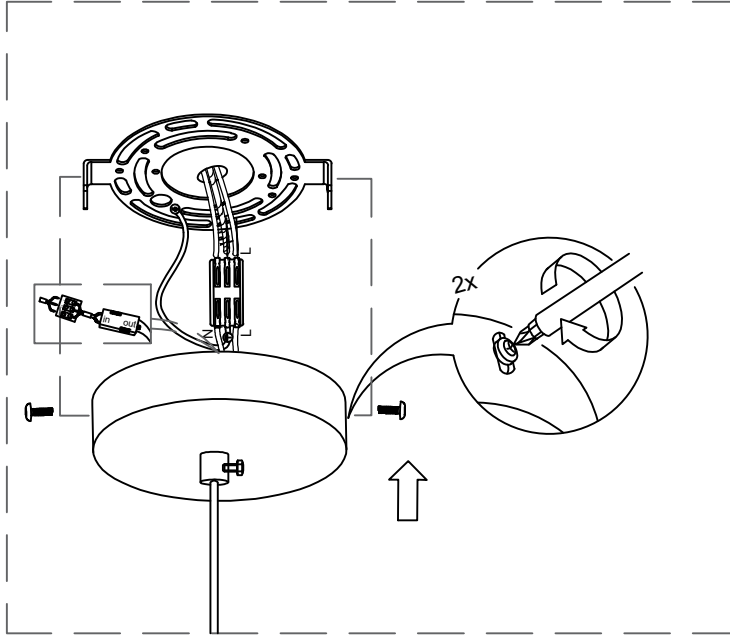
Use expansion screws to fix the hanging plates in the place where the ceiling is marked

2



The wires in the home are connected to the wires in the lamps through the wire terminals

3



The side screws fix the lamp body to the ceiling plate

