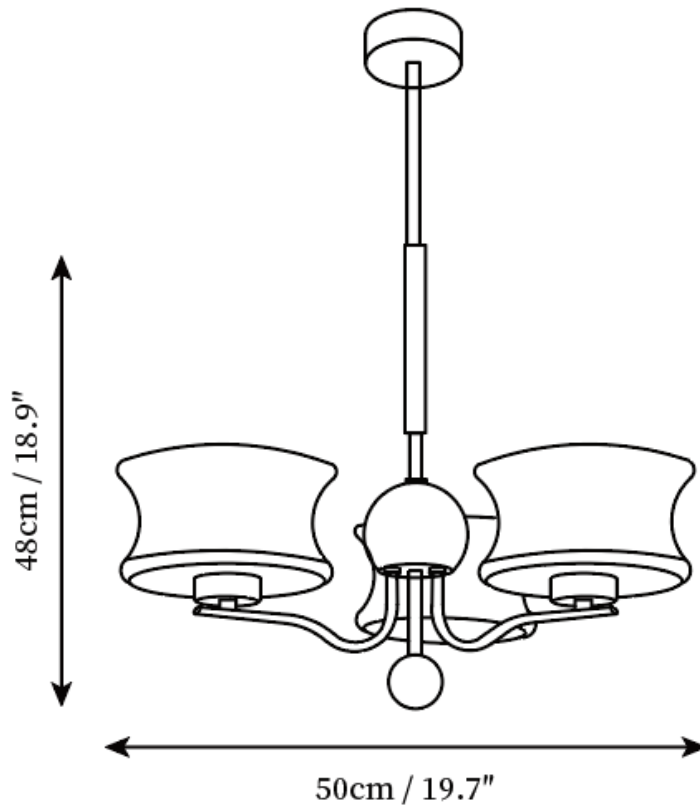


SPECIFICATION SHEET

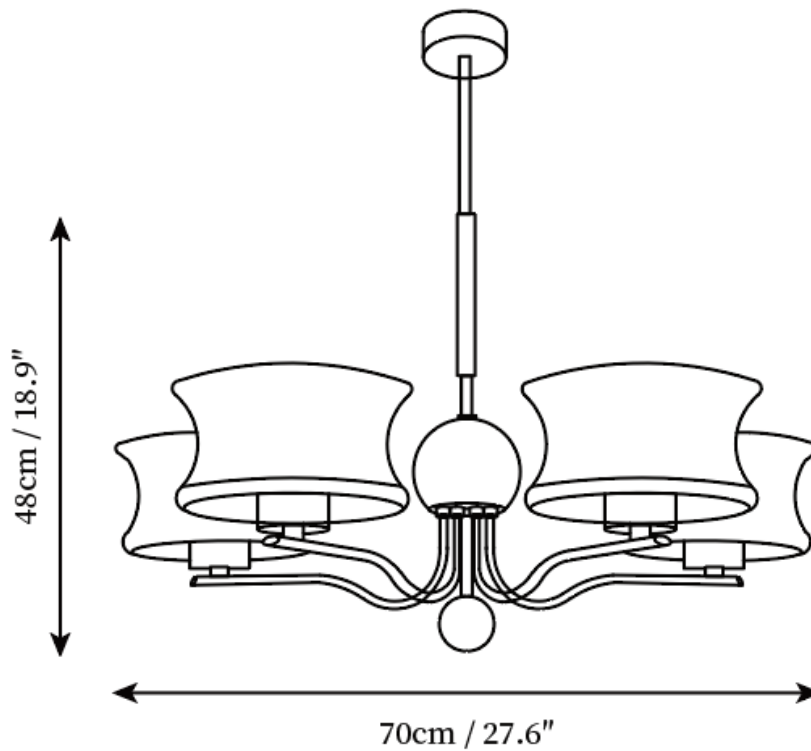


SPECIFICATION DETAILS

*For custom options, consult factory for details

Fixture Dimensions	Ø 19.7" x H 18.9"
Light source	E26 or E27 (bulb not included)
Wattage	MAX 40W incandescent bulb or LED equivalent.
Voltage	AC 110-240V
Mounting	Hardwired.
Dimming	Compatible with dimmable bulbs (bulb not included)
Control method	Compatible with common wall switches (not included)
Finishes	Gold+Chrome.
Shade Details	Beige, White.
Material	Iron, Metal, Glass.
Rod Length	Suspension rod is 3.9"/7.9"/11.8", and can be spliced as needed.

SPECIFICATION SHEET



SPECIFICATION DETAILS

*For custom options, consult factory for details

Fixture Dimensions	Ø 27.6" x H 18.9"
Light source	E26 or E27 (bulb not included)
Wattage	MAX 40W incandescent bulb or LED equivalent.
Voltage	AC 110-240V
Mounting	Hardwired.
Dimming	Compatible with dimmable bulbs (bulb not included)
Control method	Compatible with common wall switches (not included)
Finishes	Gold+Chrome.
Shade Details	Beige, White.
Material	Iron, Metal, Glass.
Rod Length	Suspension rod is 3.9"/7.9"/11.8", and can be spliced as needed.