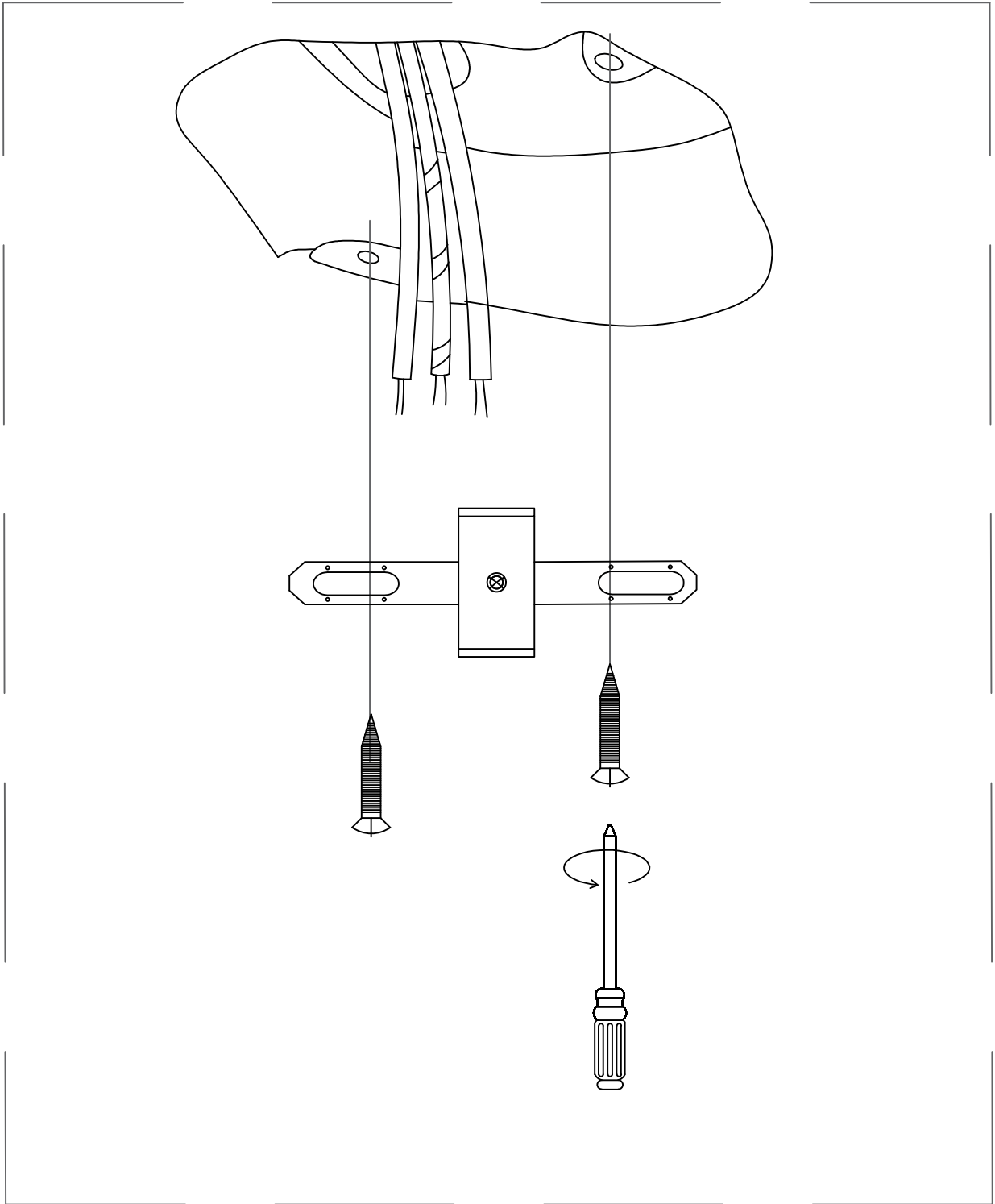
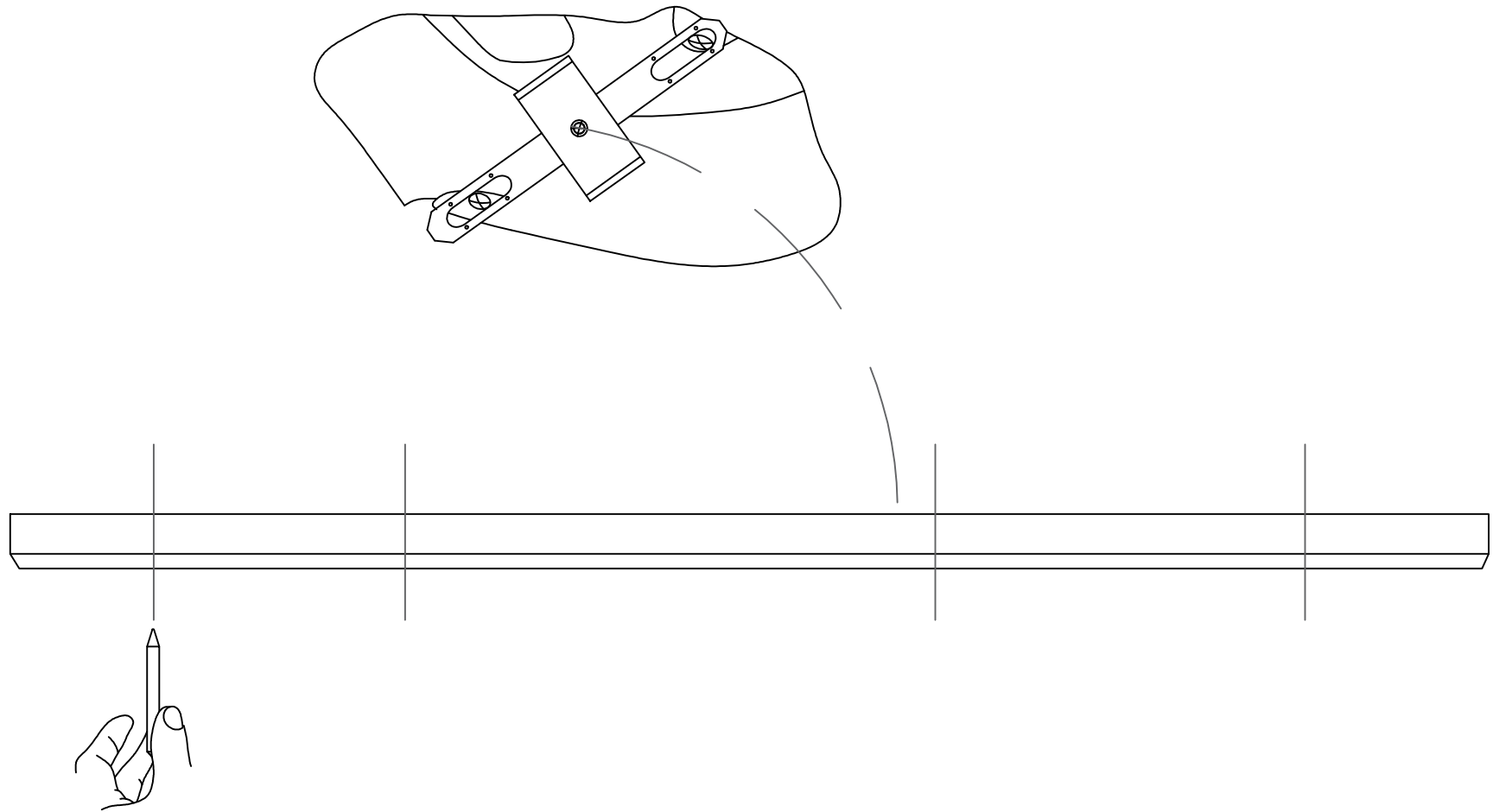


# 1



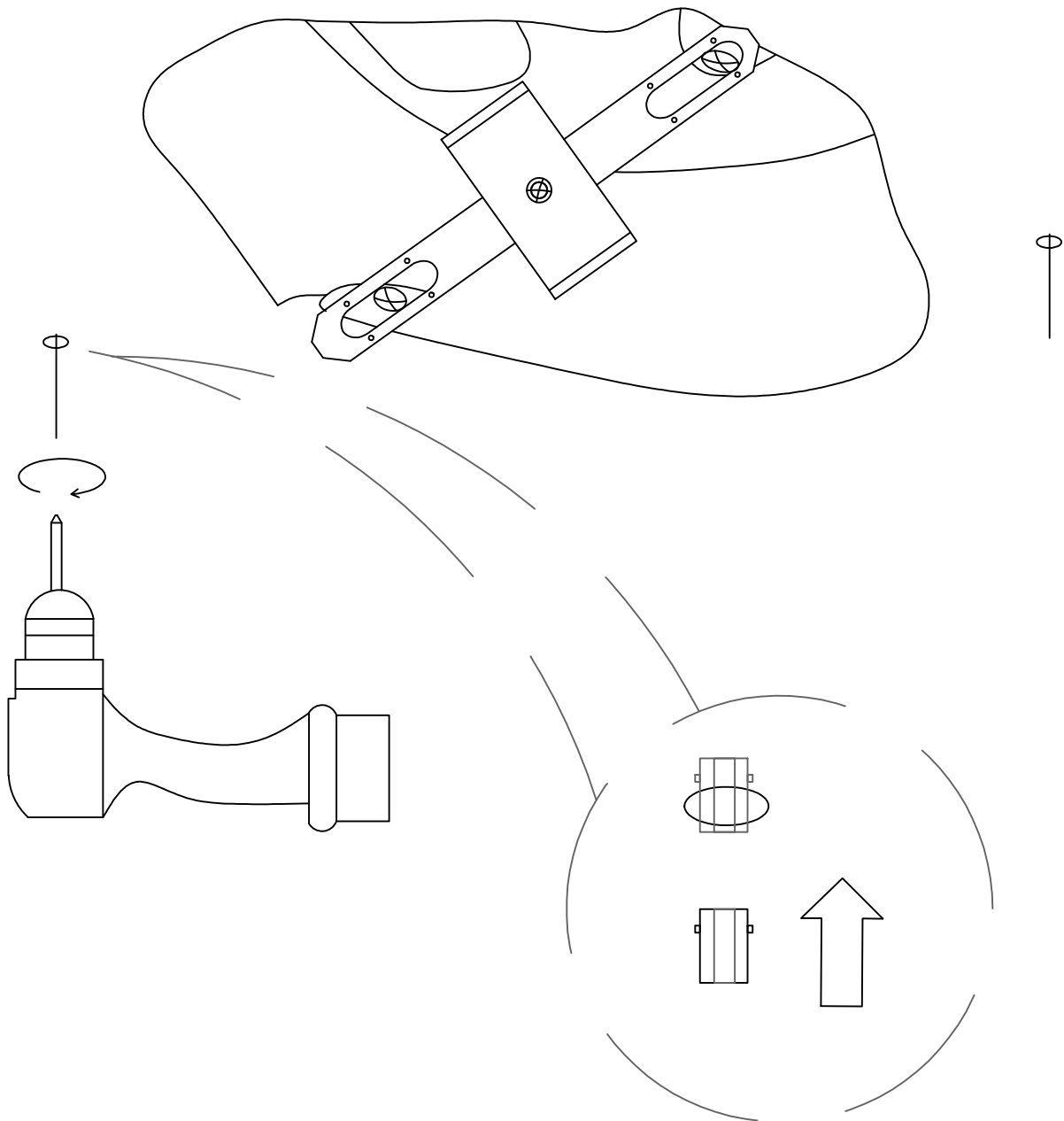
Install the bracket on the box above the ceiling

2



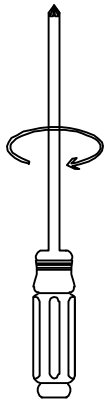
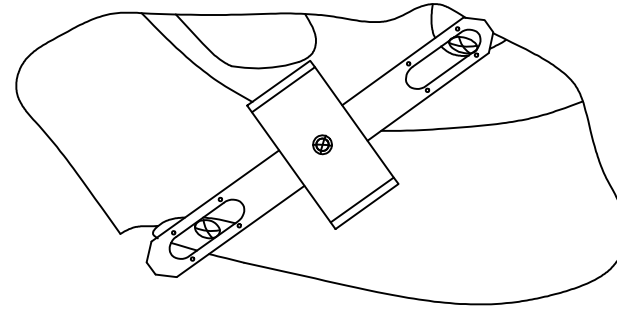
Place the track on the bracket, level it, and mark the holes. It is best to remove the track from the bracket.

# 3



**Drill holes and insert anchors at the marked locations**

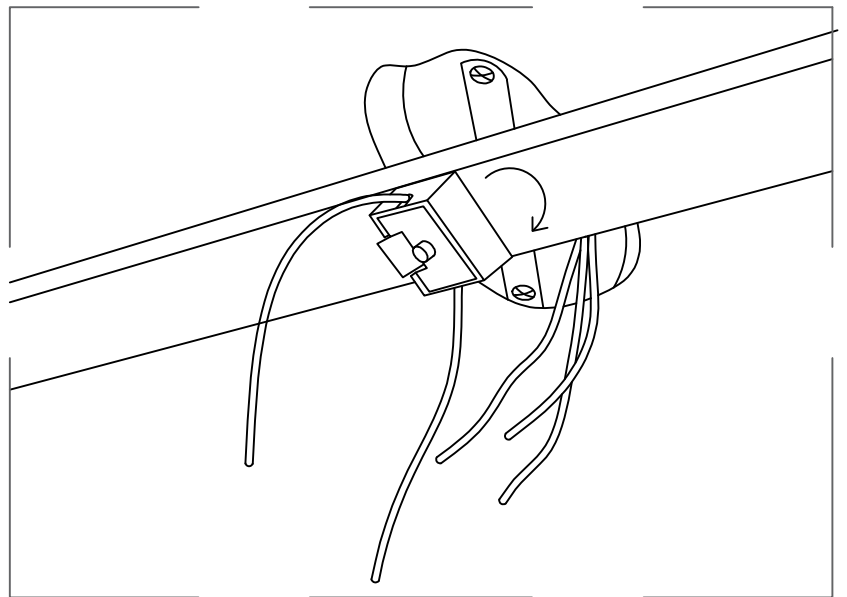
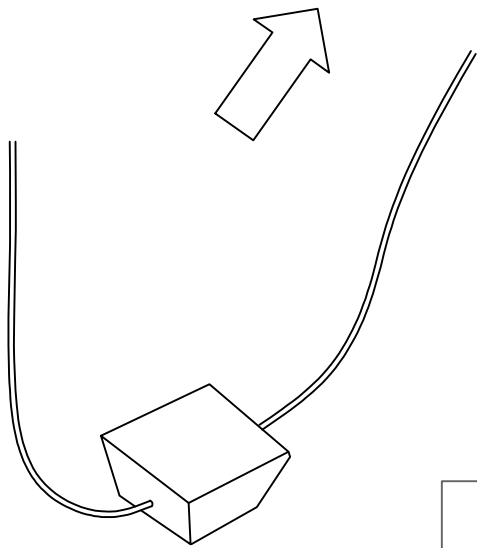
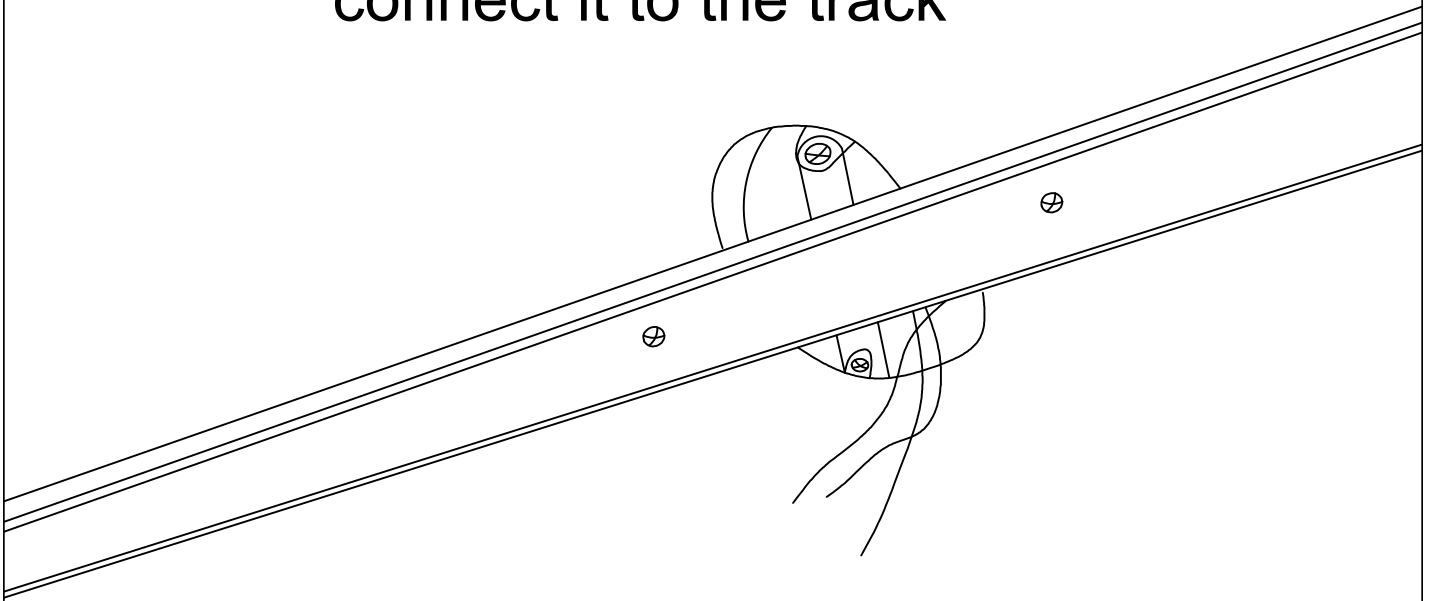
4



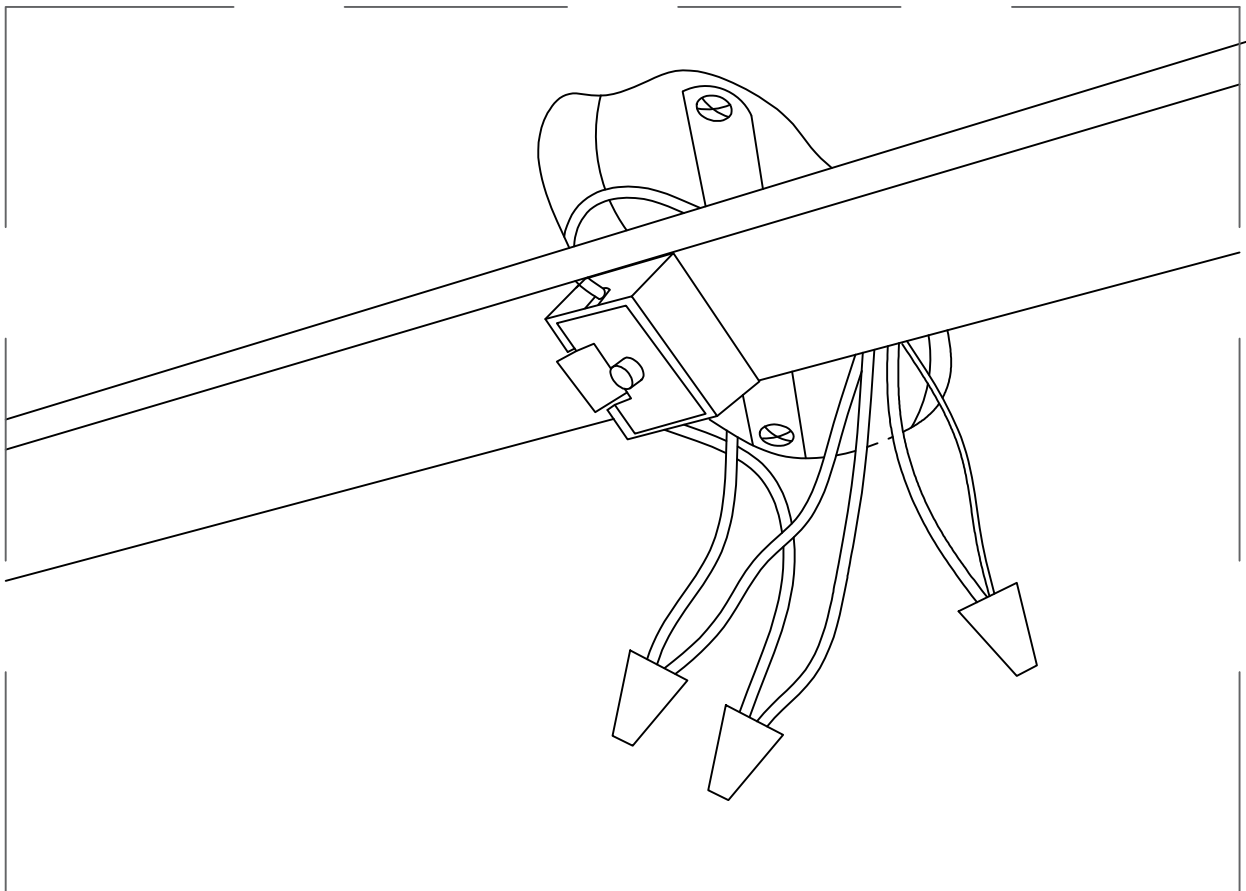
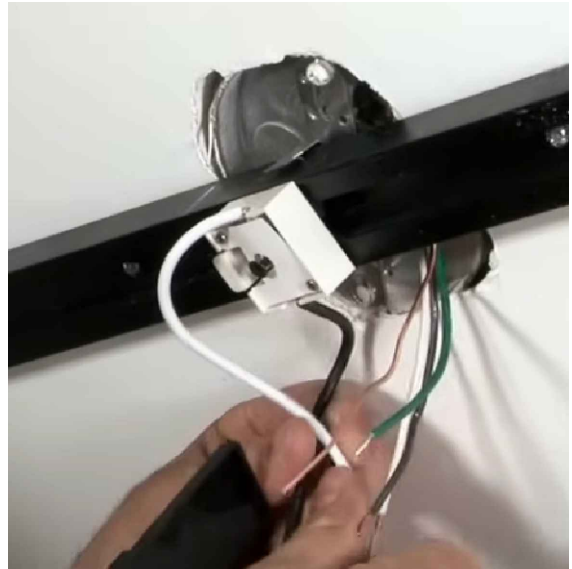
Fix the track to the ceiling

# 5

Take out the module and connect it to the track

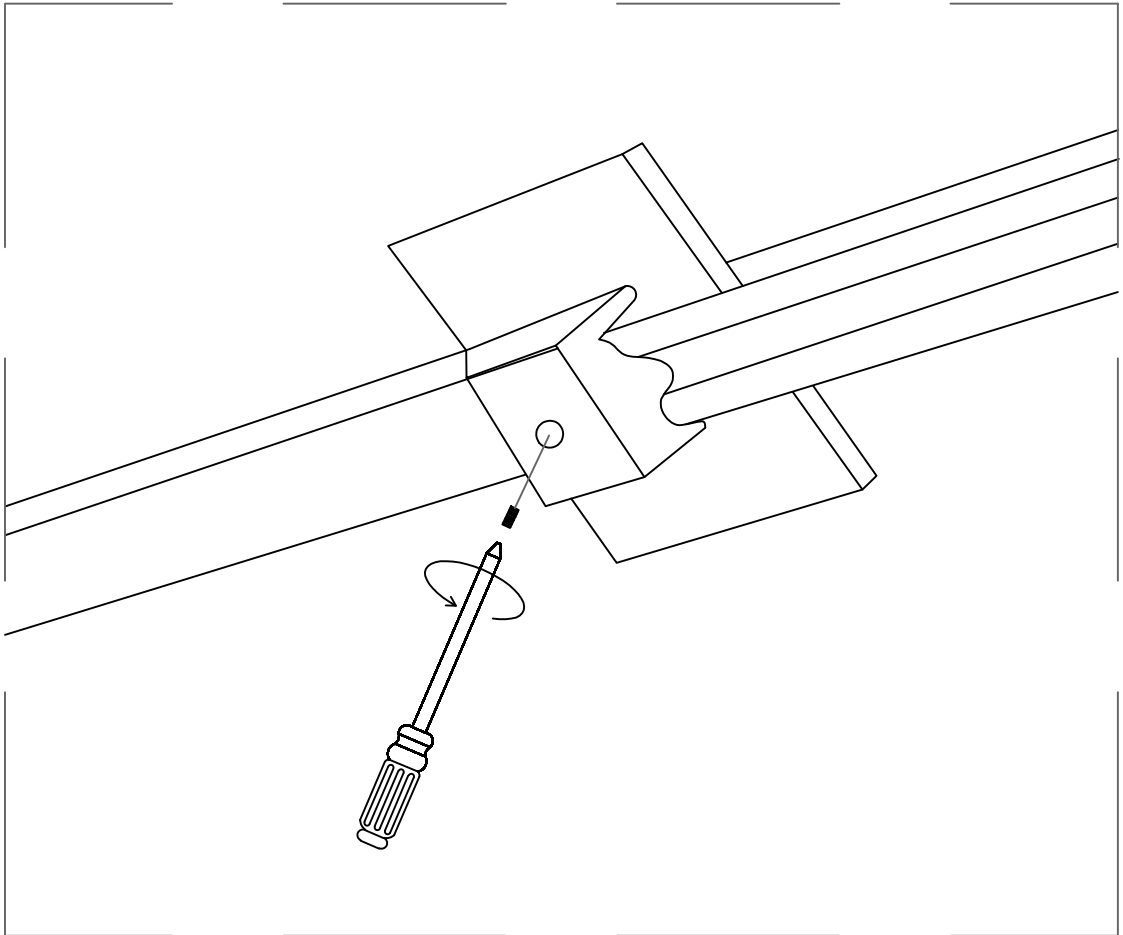


# 6



Wiring: Black to black, white to white, green to ground

7



Install the decorative cover to cover the box

8

