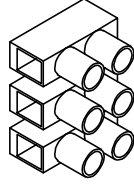
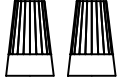
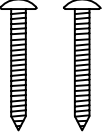
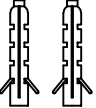
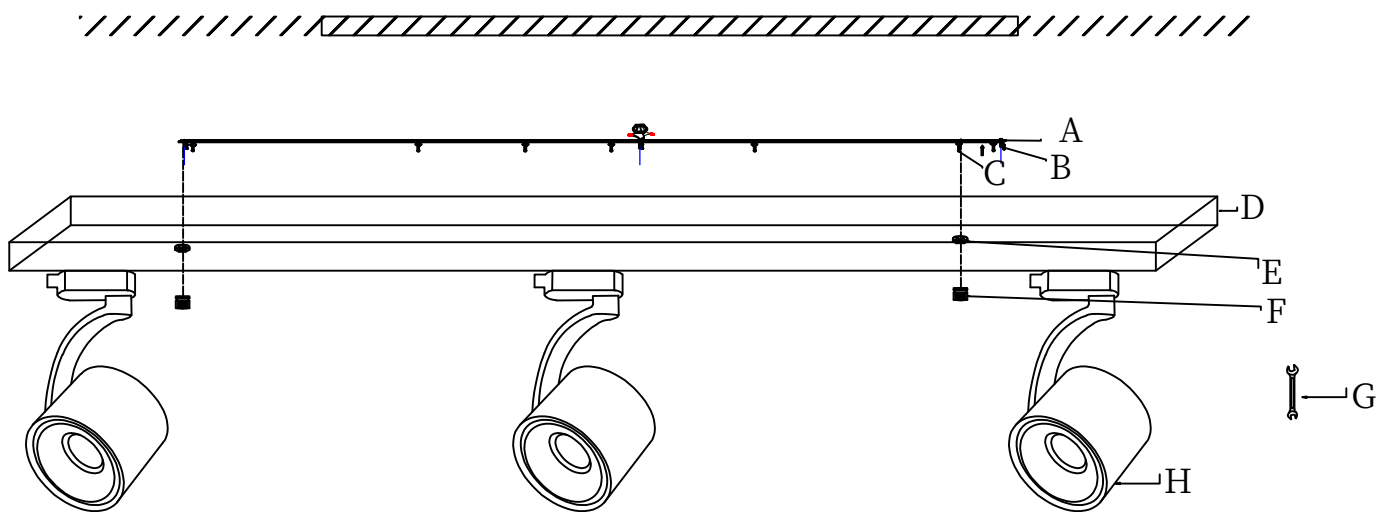


- (A) Mounting Plate(1)
- (B) Connection Rods(4)
- (C) Mounting Screws(4)
- (D) Canopy(1)
- (E) Nuts(4)
- (F) Caps(4)
- (G) T-Wrench(1)
- (H) Lamp Body

Installation Hardware Kit			
①	②	③	④
			



- (A) Mounting Plate(1)
- (B) Connection Rods(4)
- (C) Mounting Screws(4)
- (D) Canopy(1)
- (E) Nuts(4)
- (F) Caps(4)
- (G) T-Wrench(1)
- (H) Lamp Body

Installation Hardware Kit			
①	②	③	④
