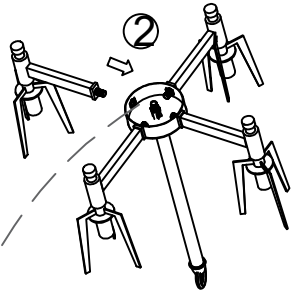
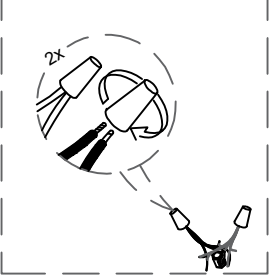


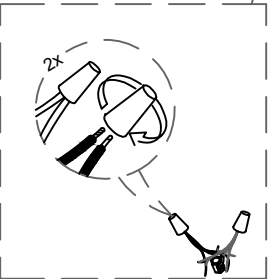
Use screws to lock the lamp arm onto the lamp body



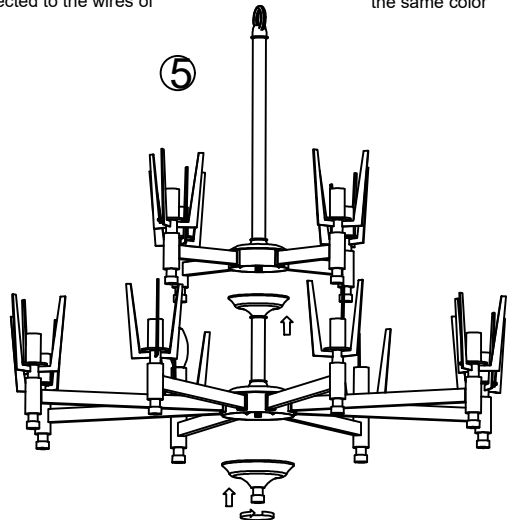
Use screws to lock the lamp arm onto the lamp body



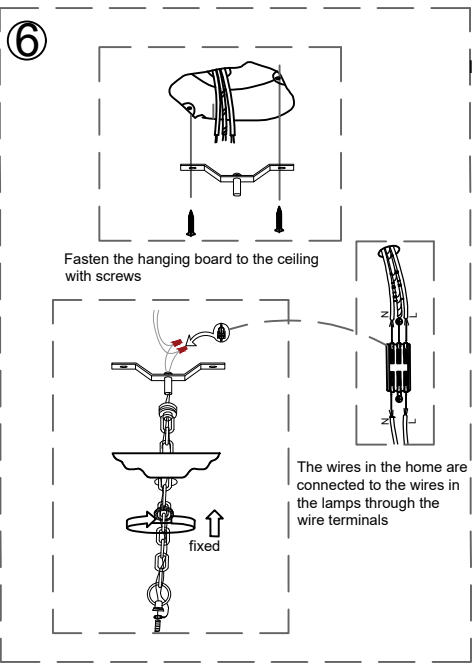
The main line is connected to the wires of the same color



The main line is connected to the wires of the same color

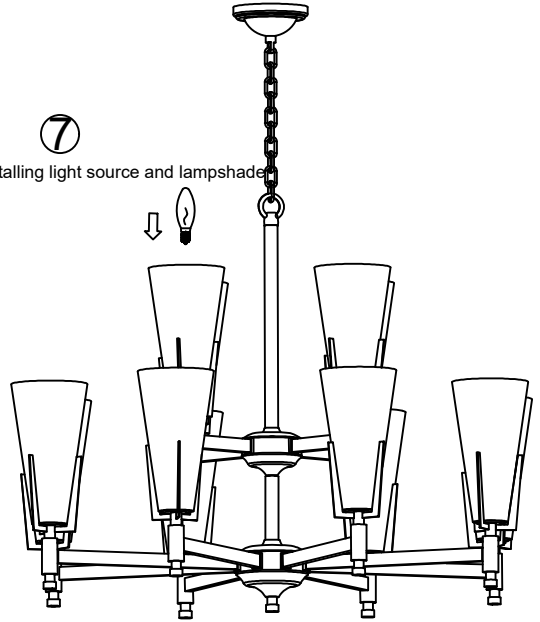


Assemble the lamp body



Fasten the hanging board to the ceiling with screws

The wires in the home are connected to the wires in the lamps through the wire terminals



Installing light source and lampshade