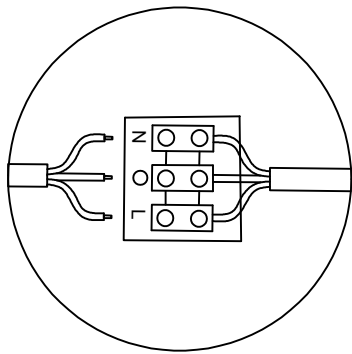


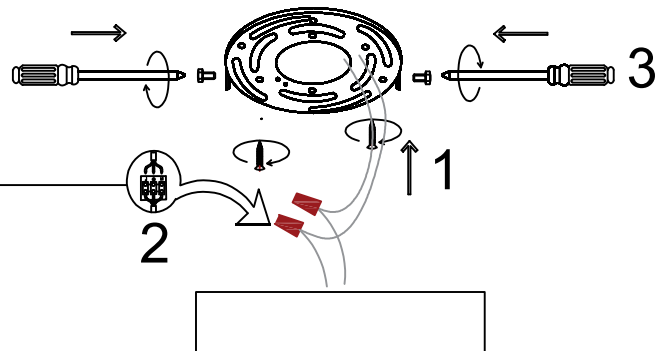
1: Fix the hanging board to the ceiling

2: Connect the lamp wires to the reserved wires

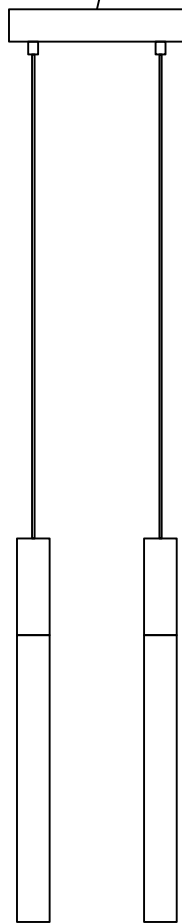
3: Fix the ceiling tray and hanging board from the side



2



Enlarged Detail

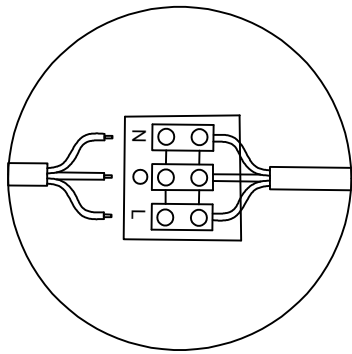


Signal LED Pendant Light

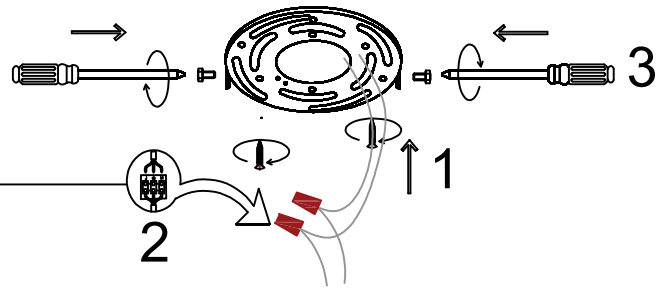
1: Fix the hanging board to the ceiling

2: Connect the lamp wires to the reserved wires

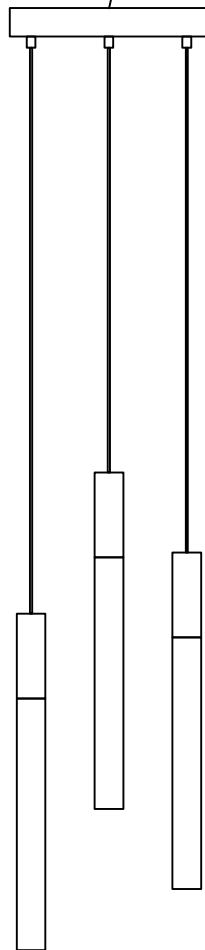
3: Fix the ceiling tray and hanging board from the side



2



Enlarged Detail



1: Fix the hanging board to the ceiling

2: Connect the lamp wires to the reserved wires

3: Tighten the nut to secure the lamp body

