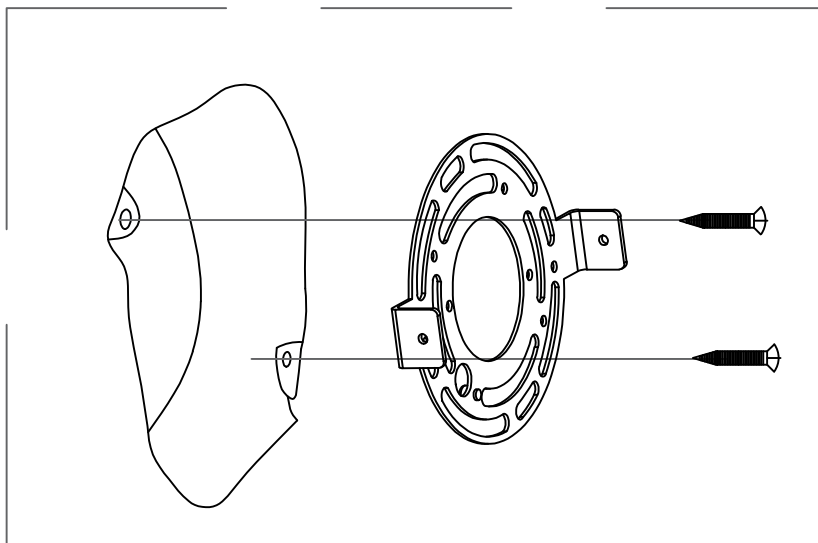
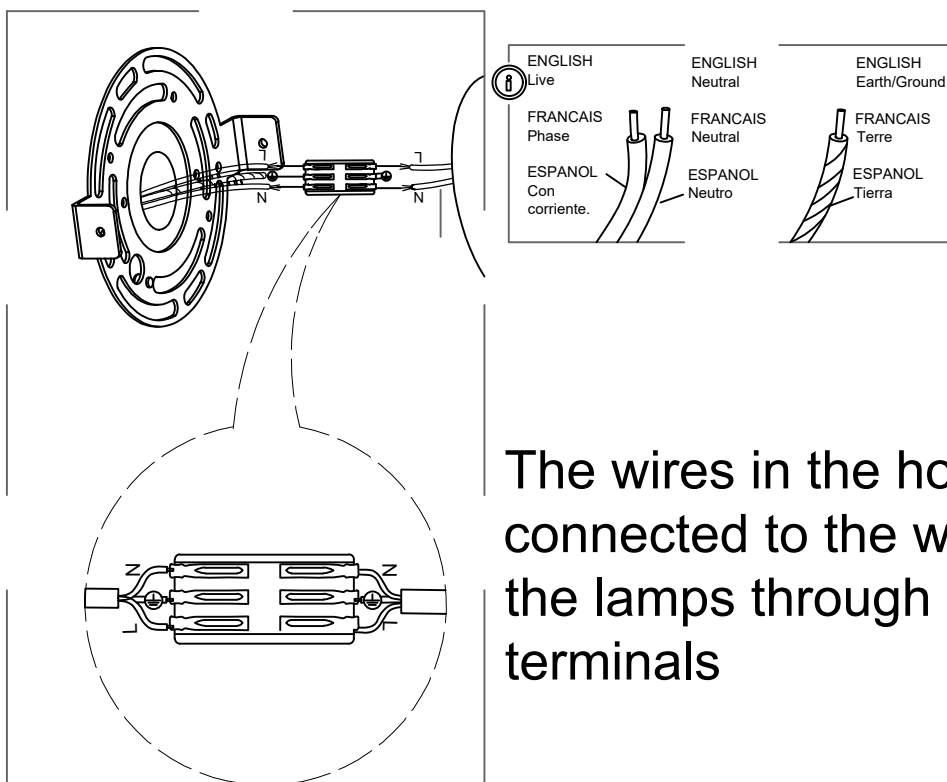


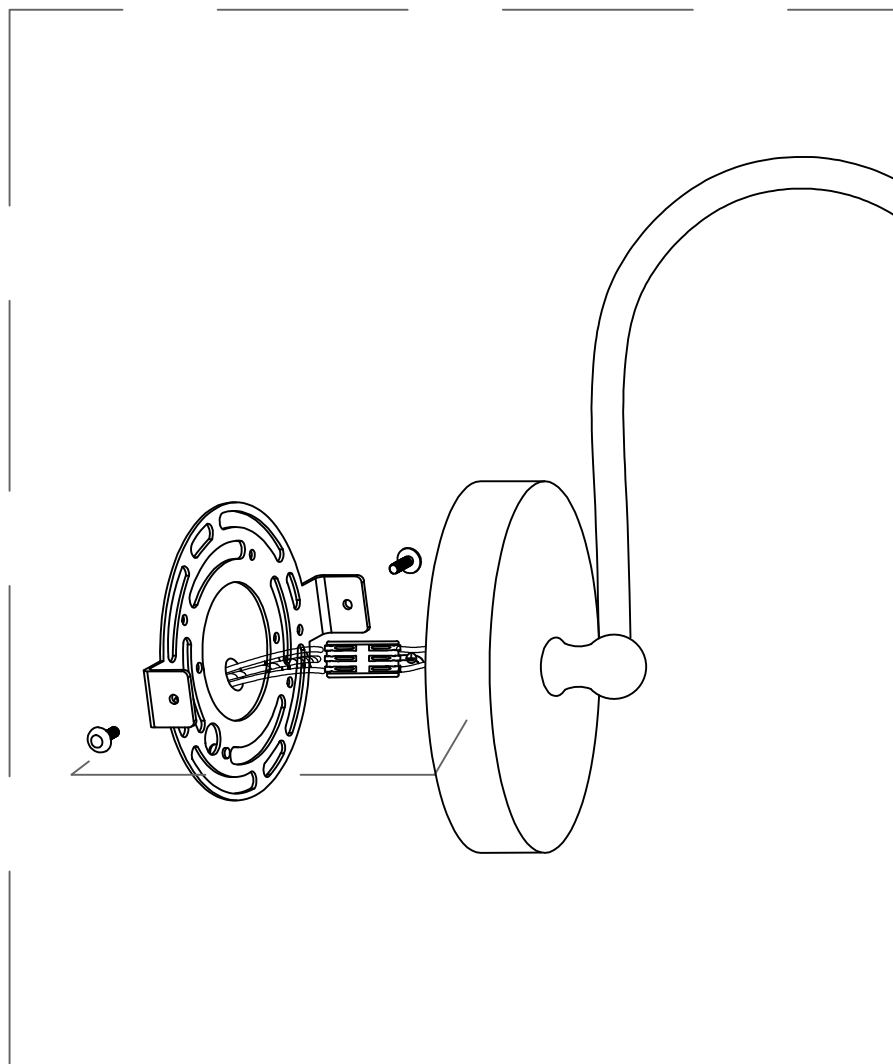
1



Fix the hanging plate to the wall with screws

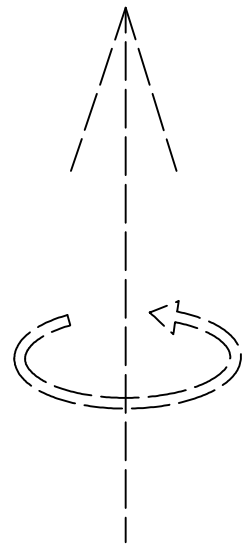
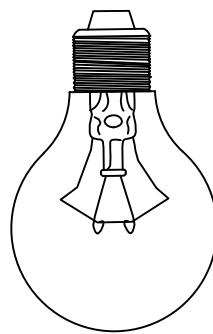
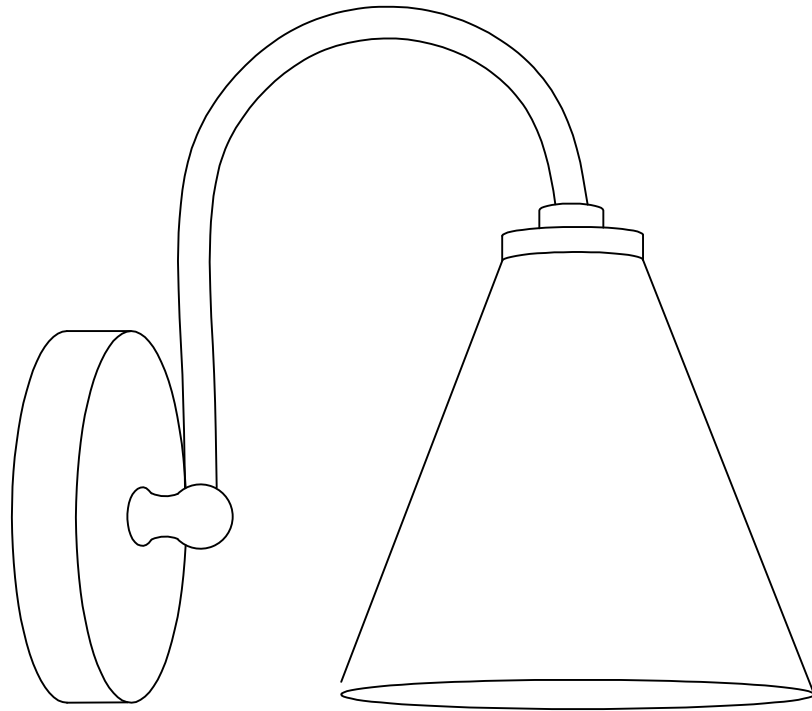


2



The side screws fix the lamp body to the hanging plate

3



Installing light source