

1:Assembly of lamp body

2:Fix the hanging board to the ceiling

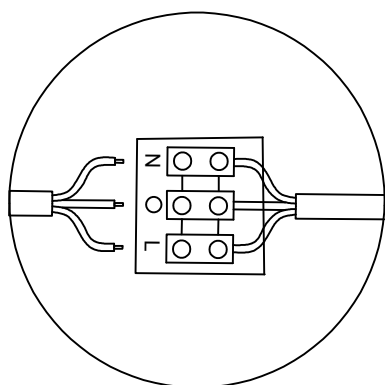
3:Connect the lamp wires to the reserved wires

4:Tighten the nut to secure the lamp body

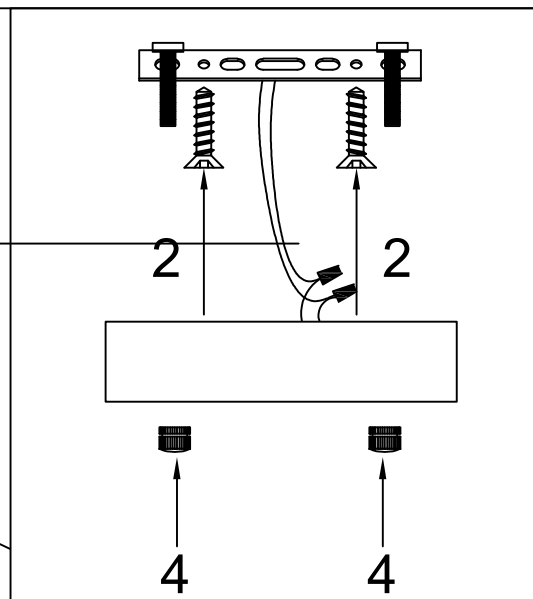
5:Installing bulb

6:Buckle glass

7:Install the lampshade



3

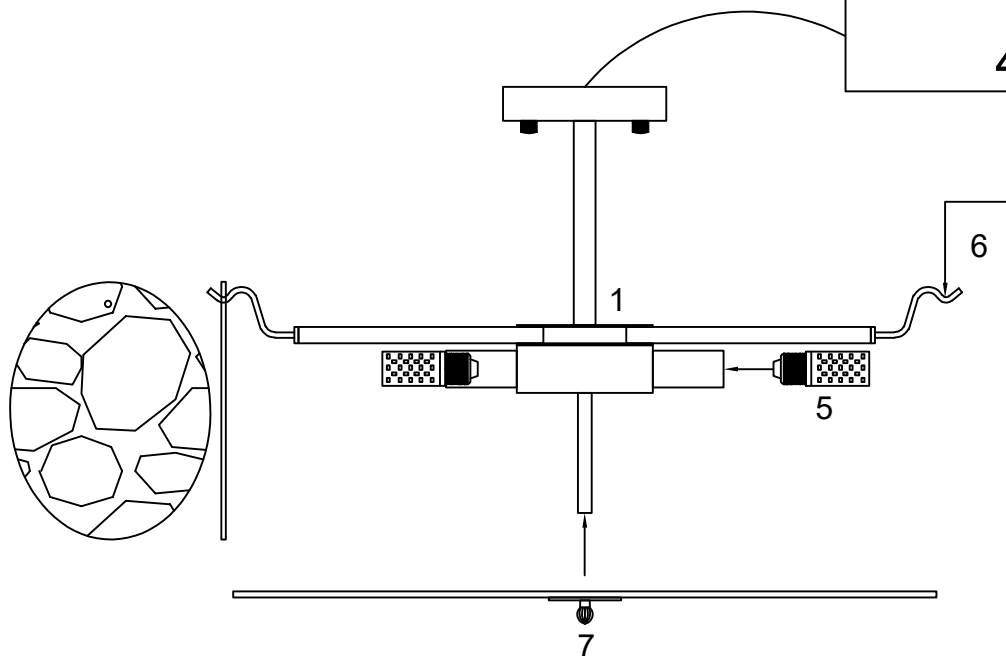


2

2

4

4



1

5

6

7

