

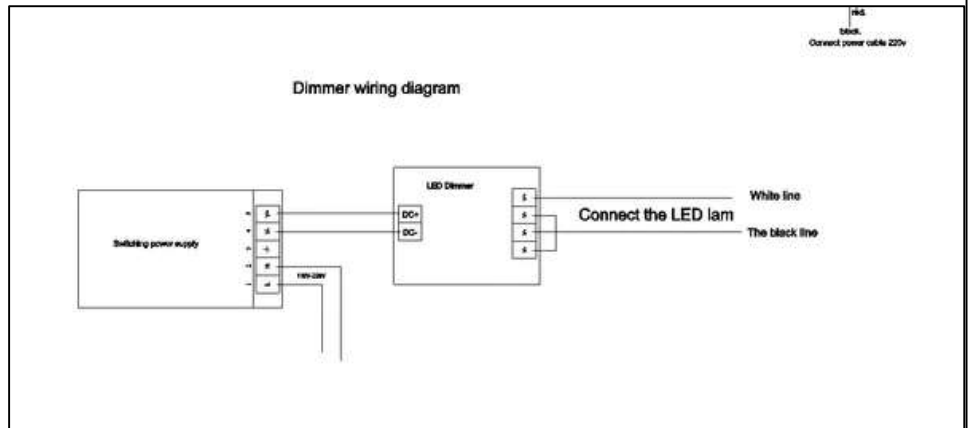
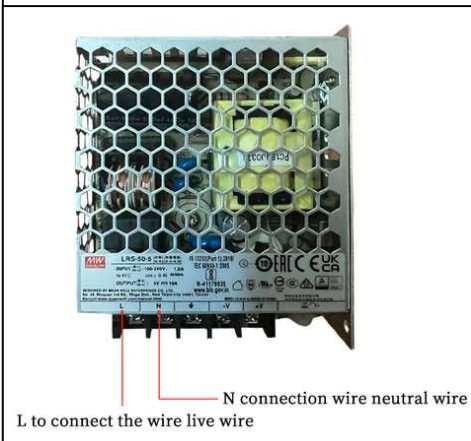
Black Firefly LED Chandelier-30/45 heads

1: Fix the hanging board to the ceiling

2: Reference image wiring

3: Fix the ceiling tray and hanging board from the side

4: Insert lampshade

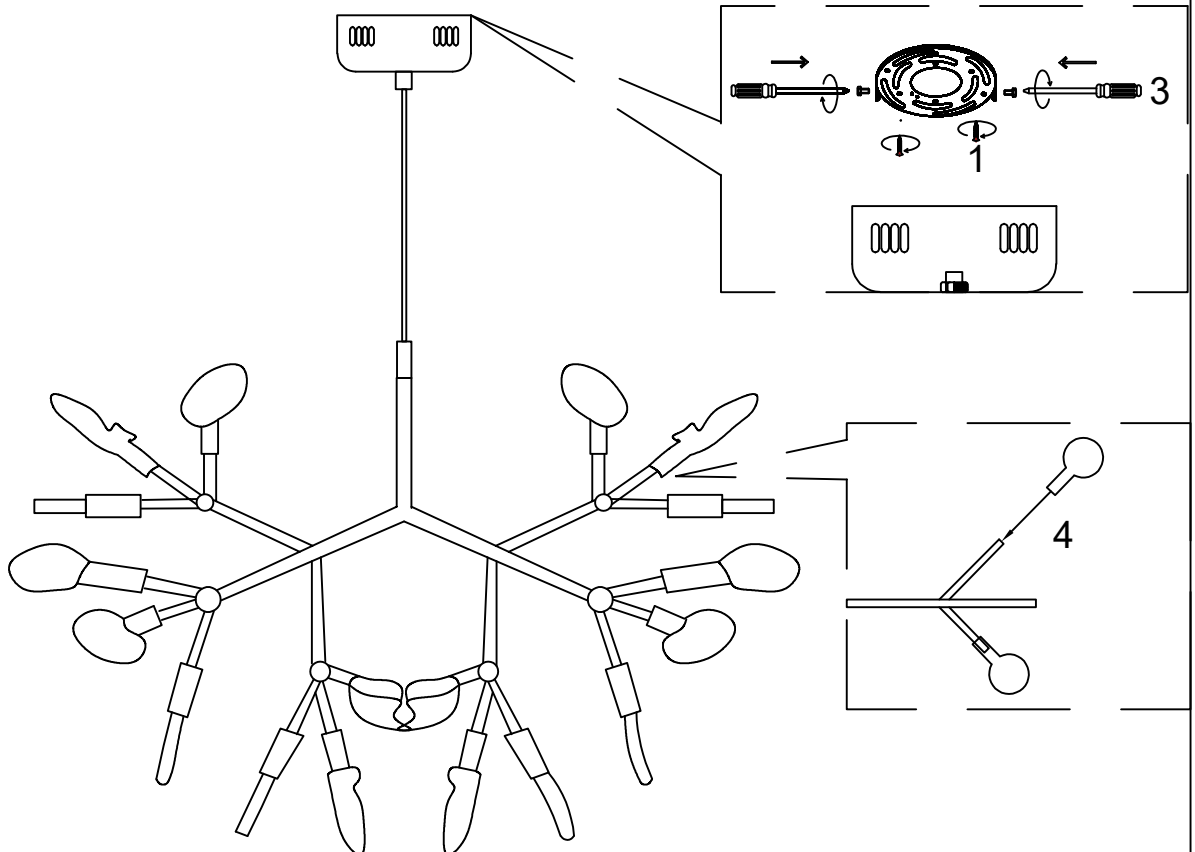


Electrical connection instructions

2

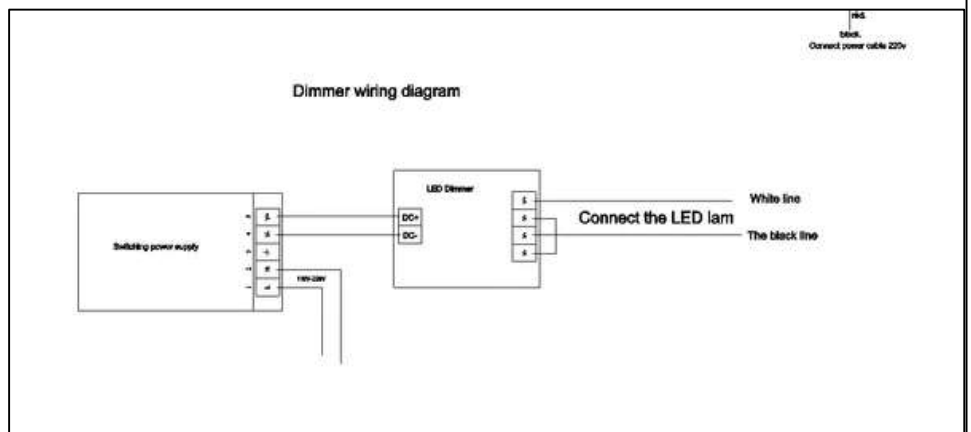
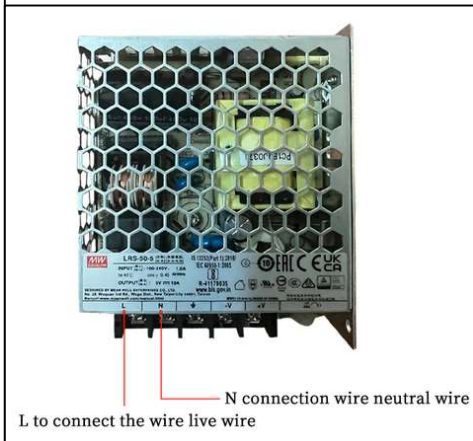
Remote control installation instructions

2-2



Black Firefly LED Chandelier-81/108 heads

- 1: Fix the hanging board to the ceiling
- 2: Reference image wiring
- 3: Fix the ceiling tray and hanging board from the side
- 4: Fix the hardware on the ceiling
- 5: Tighten the locking device and thread the steel wire into it
- 6: Insert lampshade

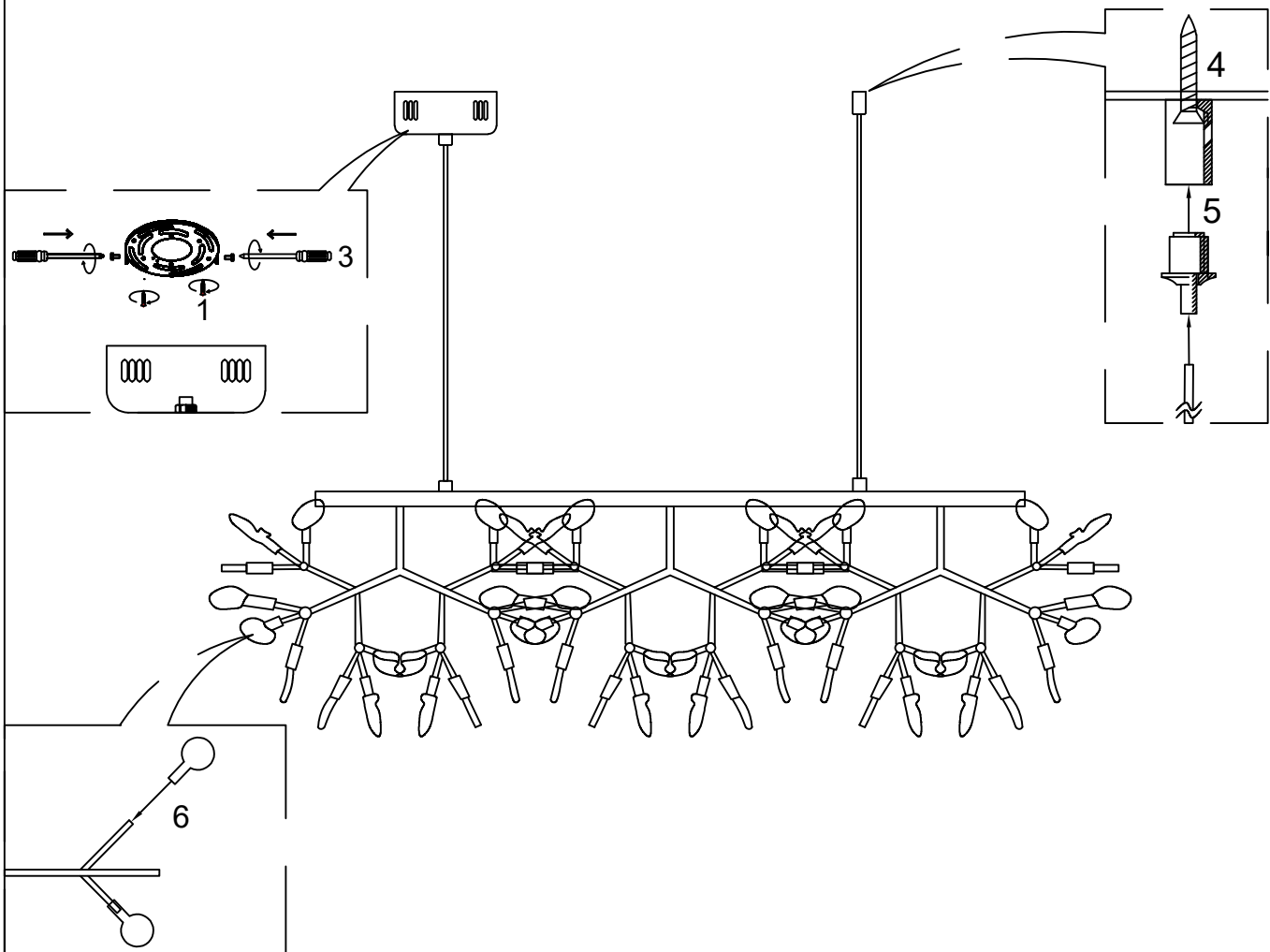


Electrical connection instructions

2

Remote control installation instructions

2-2



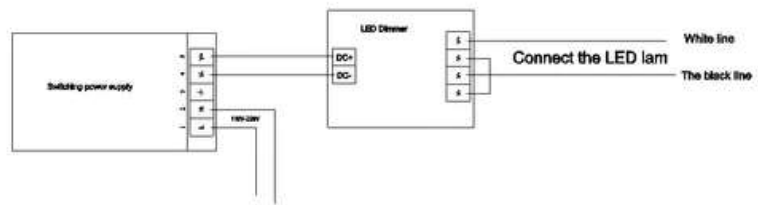
Black Firefly LED Chandelier-135 heads

- 1:Assembling segmented lamp bodies
- 2:Fix the hanging board to the ceiling
- 3:Reference image wiring
- 4:Fix the ceiling tray and hanging board from the side
- 5:Fix the hardware on the ceiling
- 6:Tighten the locking device and thread the steel wire into it
- 7:Insert lampshade



N connection wire neutral wire
L to connect the wire live wire

Dimmer wiring diagram



Electrical connection instructions

Remote control installation instructions

3

3-3

