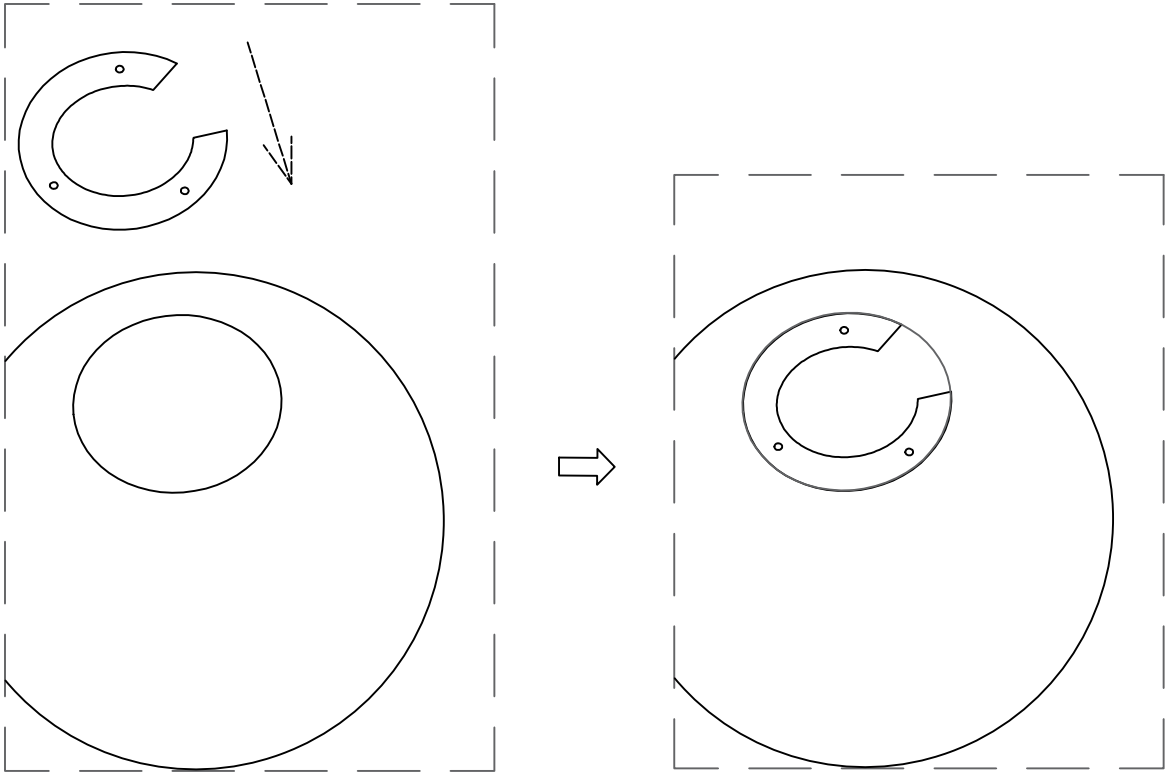
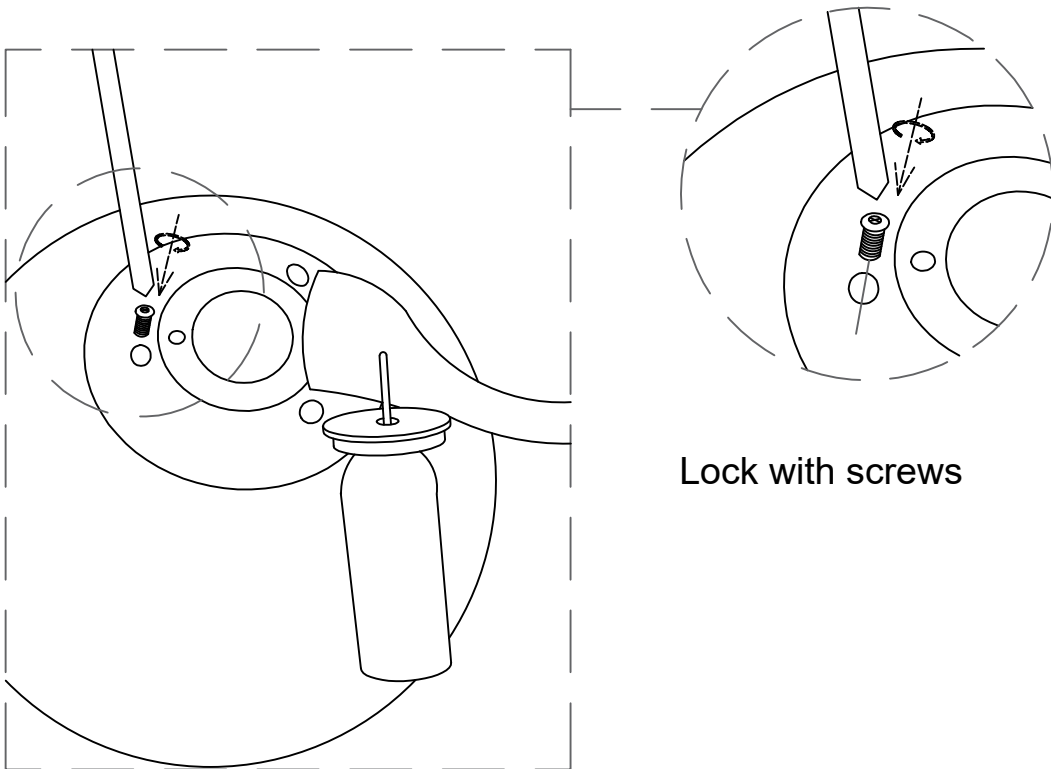


# 1

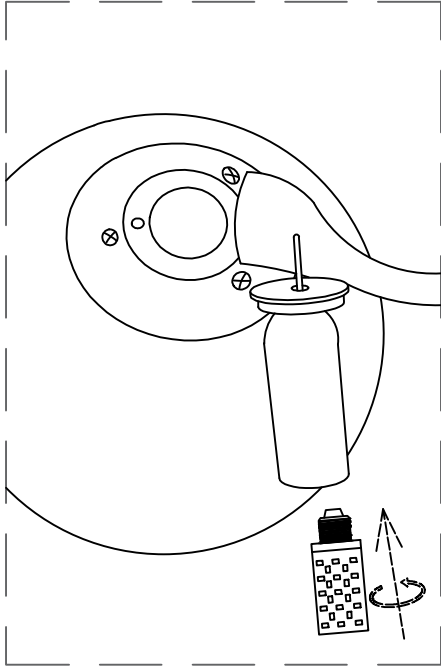


The notched sheet is placed in the lampshade

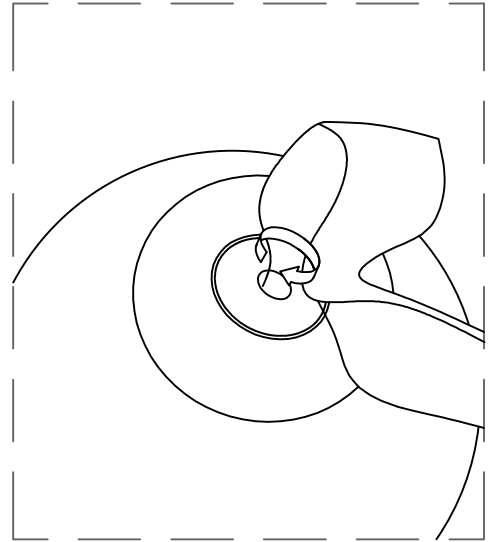


Lock with screws

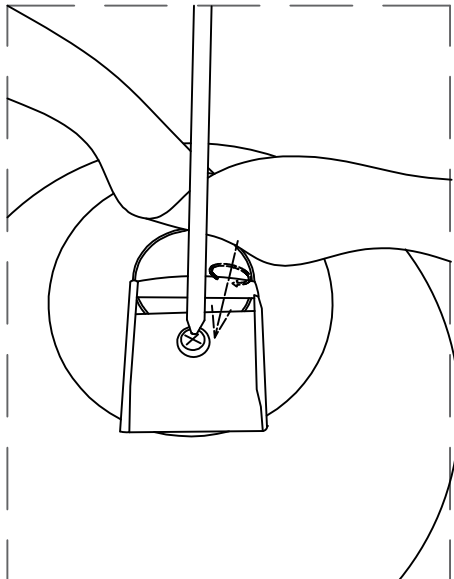
# 2



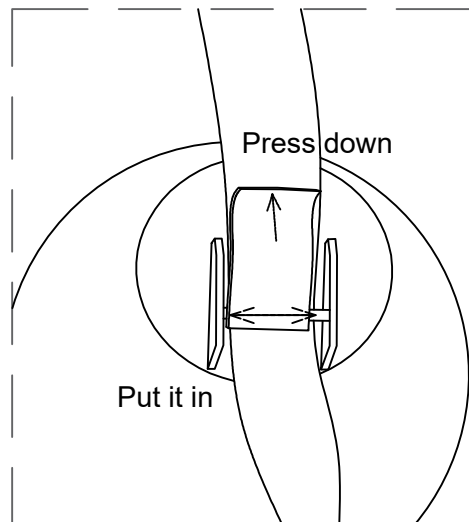
Install the bulb



The lamp head is twisted in



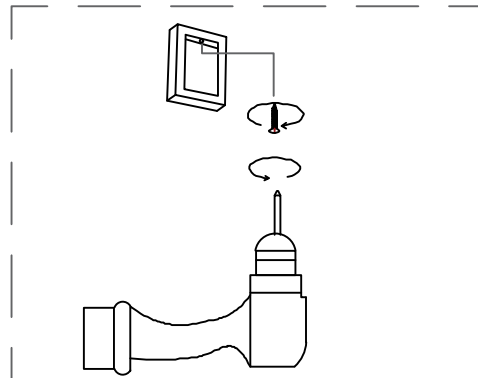
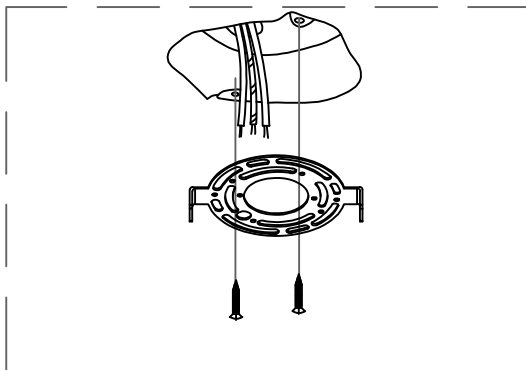
Lock fastening buckle



# 3

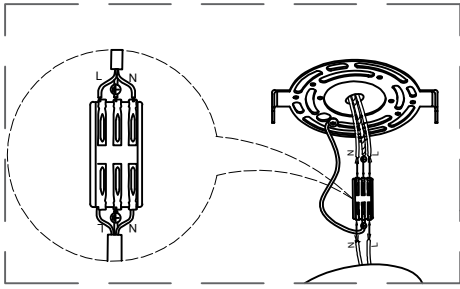


Mark the place on the ceiling where expansion screws need to be made

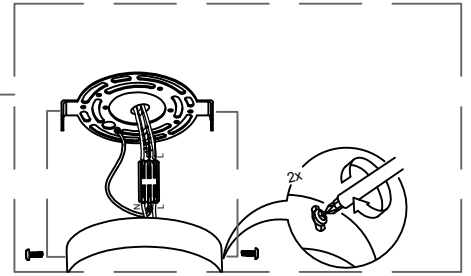


Fasten the hanging board to the ceiling with screws

# 4



The wires in the home are connected to the wires in the lamps through the wire terminals



The side screws fix the lamp body to the ceiling plate

