

1:Assembly of lamp body

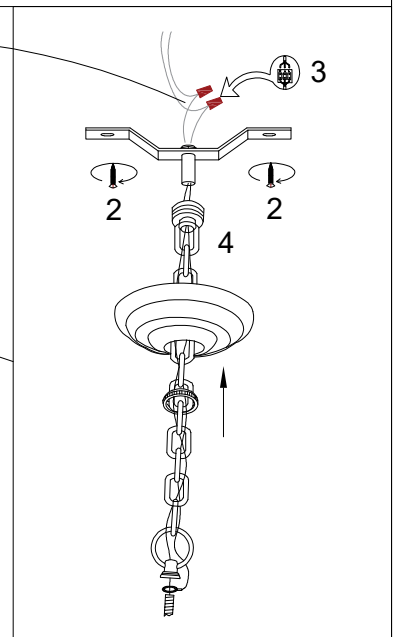
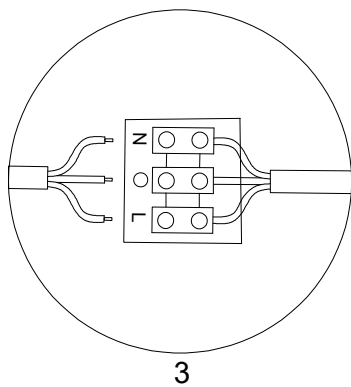
2:Fix the hanging board to the ceiling

3:Connect the lamp wires to the reserved wires

4:Connect the lamp body to the hanging plate

5:Installing bulb

6:Install the lampshade



Enlarged Detail

