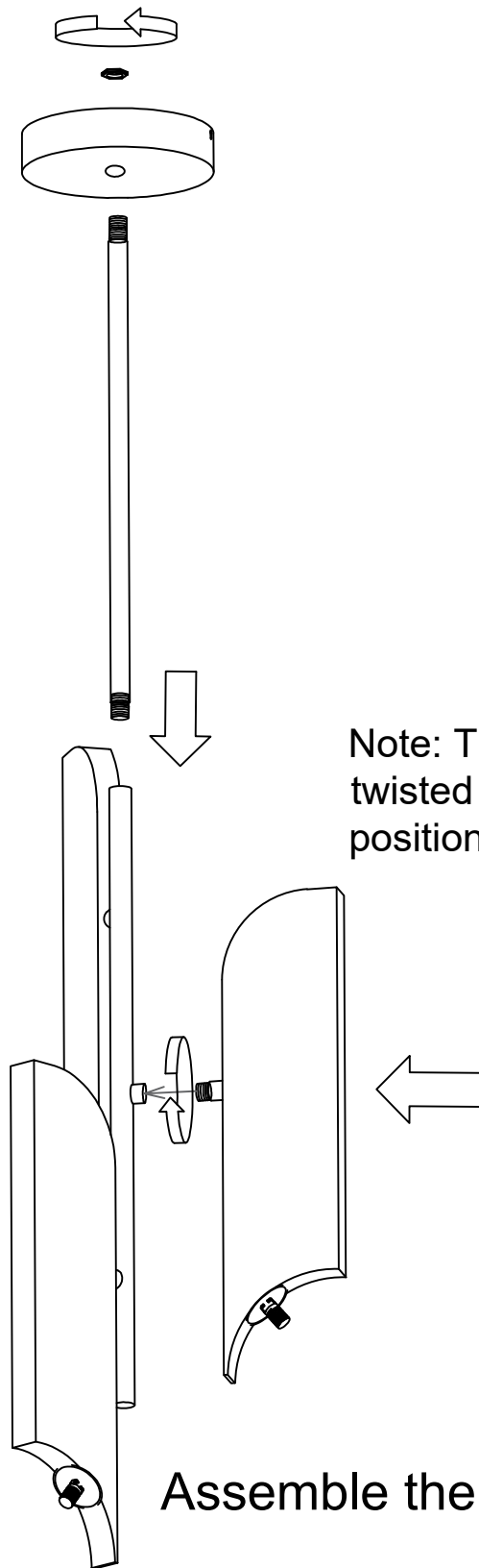


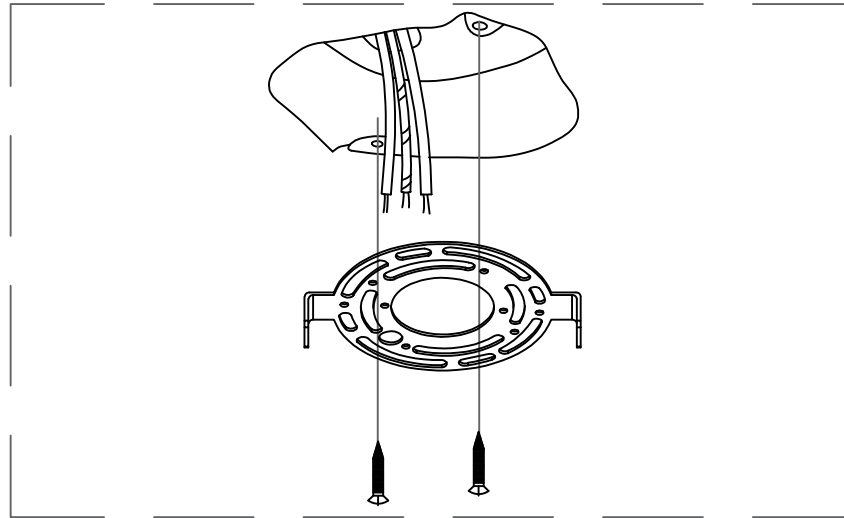
1



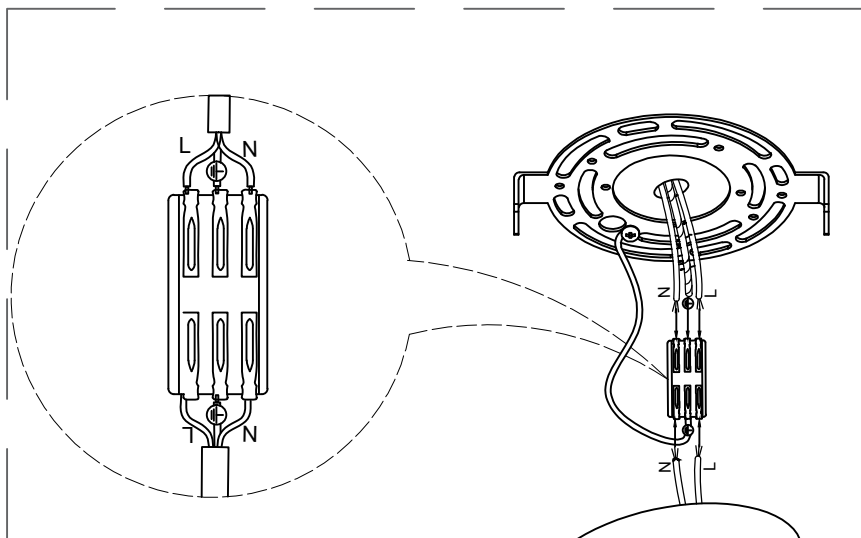
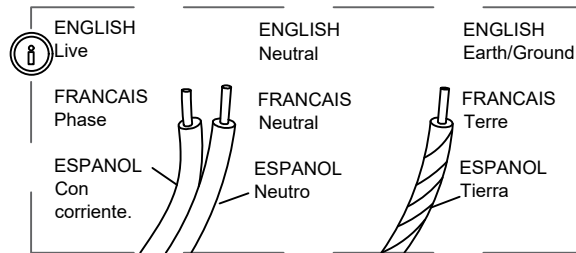
Note: The lamp arm should not be twisted too tightly, just be able to position it straight

Assemble the lamp body

2

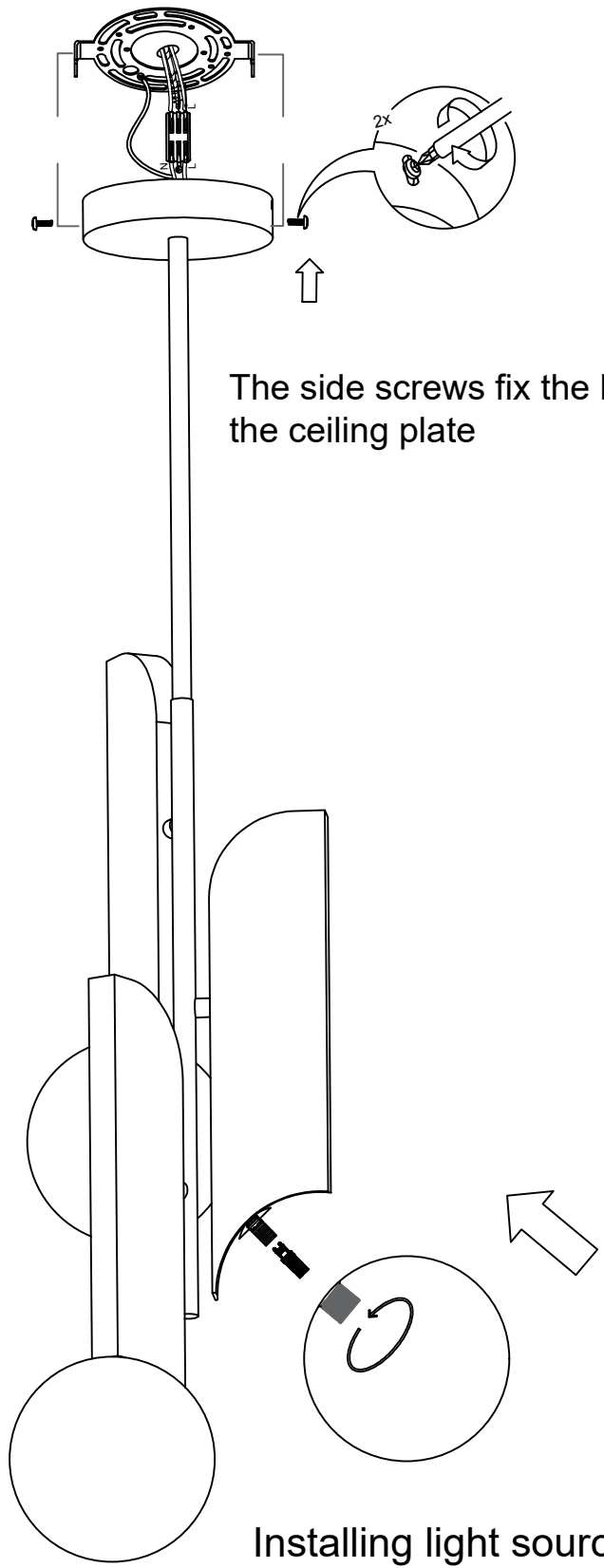


Fasten the hanging board to the ceiling with screws



The wires in the home are connected to the wires in the lamps through the wire terminals

3



The side screws fix the lamp body to the ceiling plate

Installing light source and lampshade