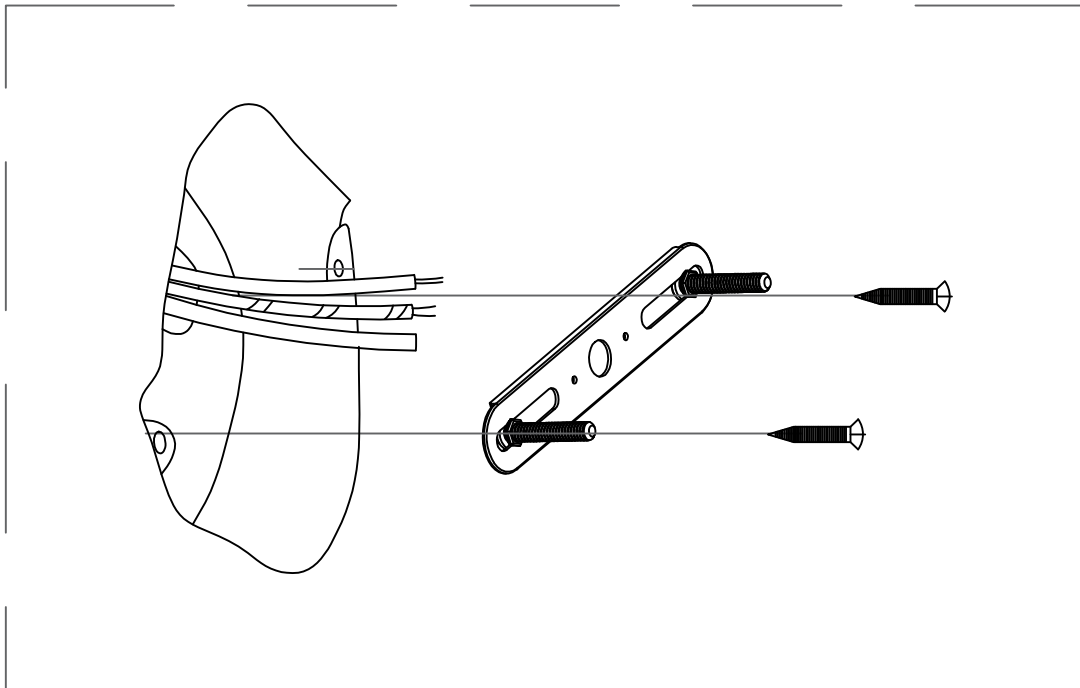
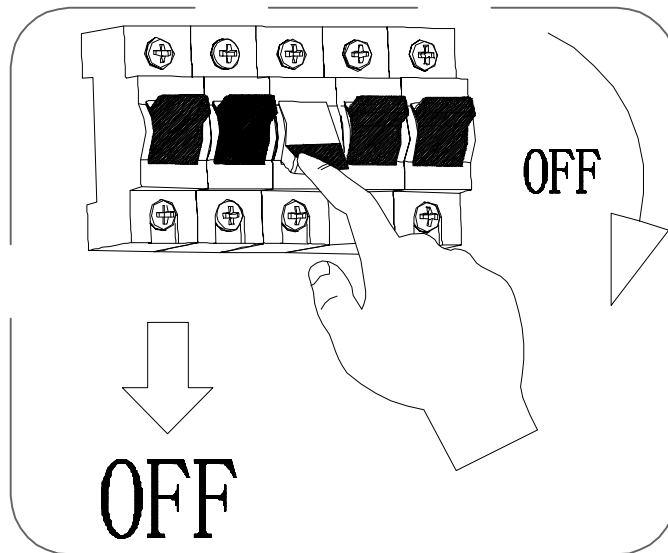
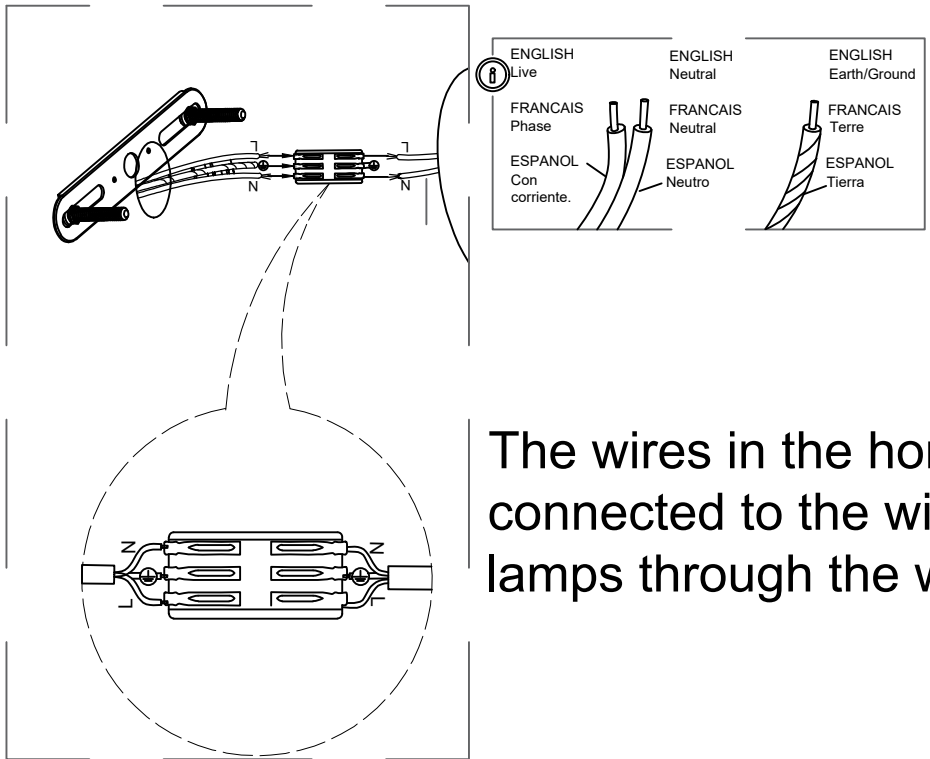


1

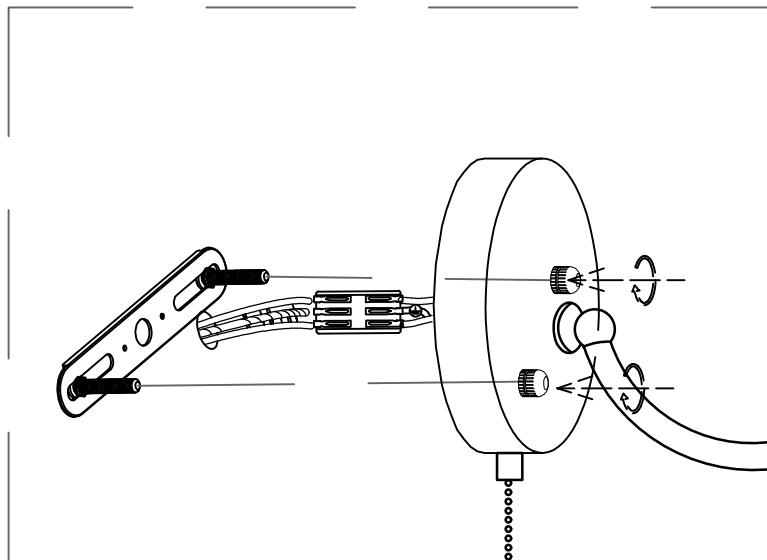


Attach the hanging plate to the wall with screws

2

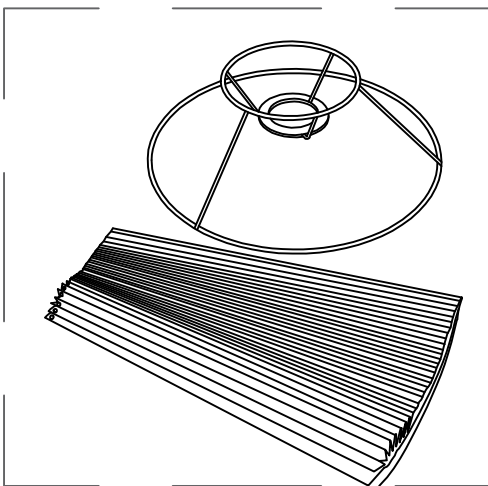


The wires in the home are connected to the wires in the lamps through the wire terminals

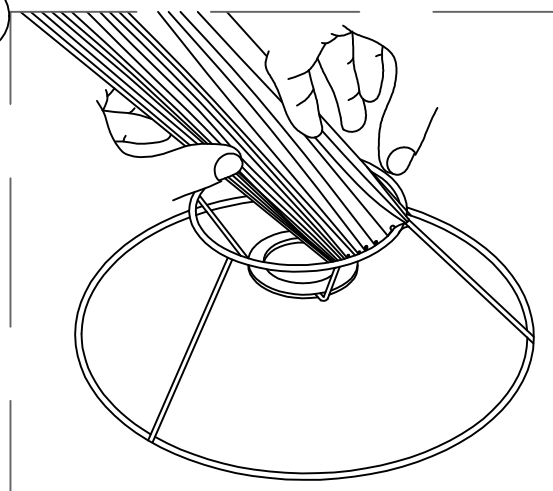


Attach the lamp body to the hanging plate with a hand nut

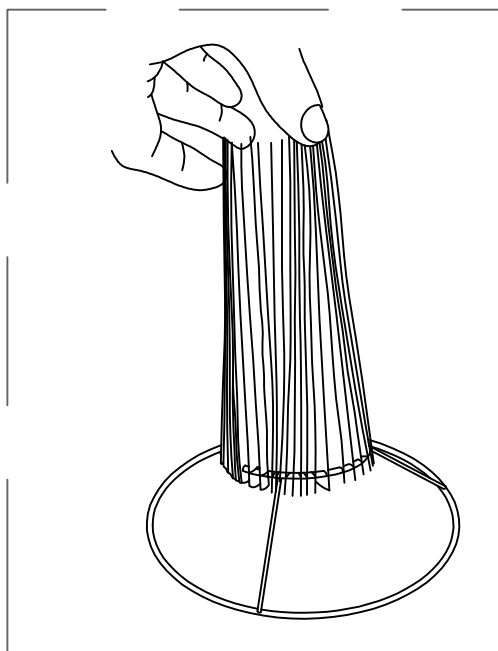
3①



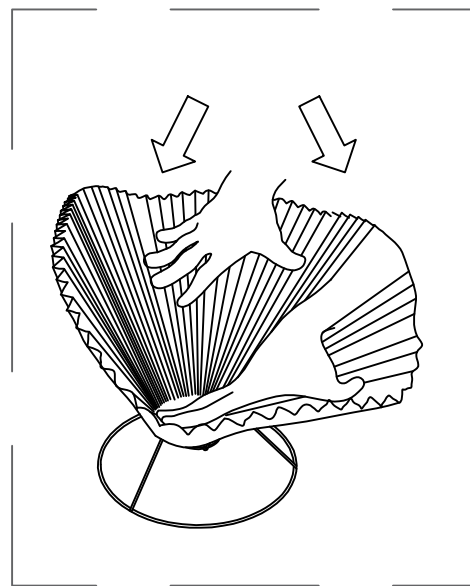
②



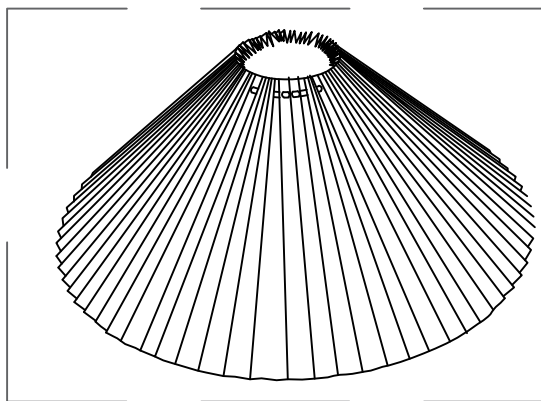
③



④

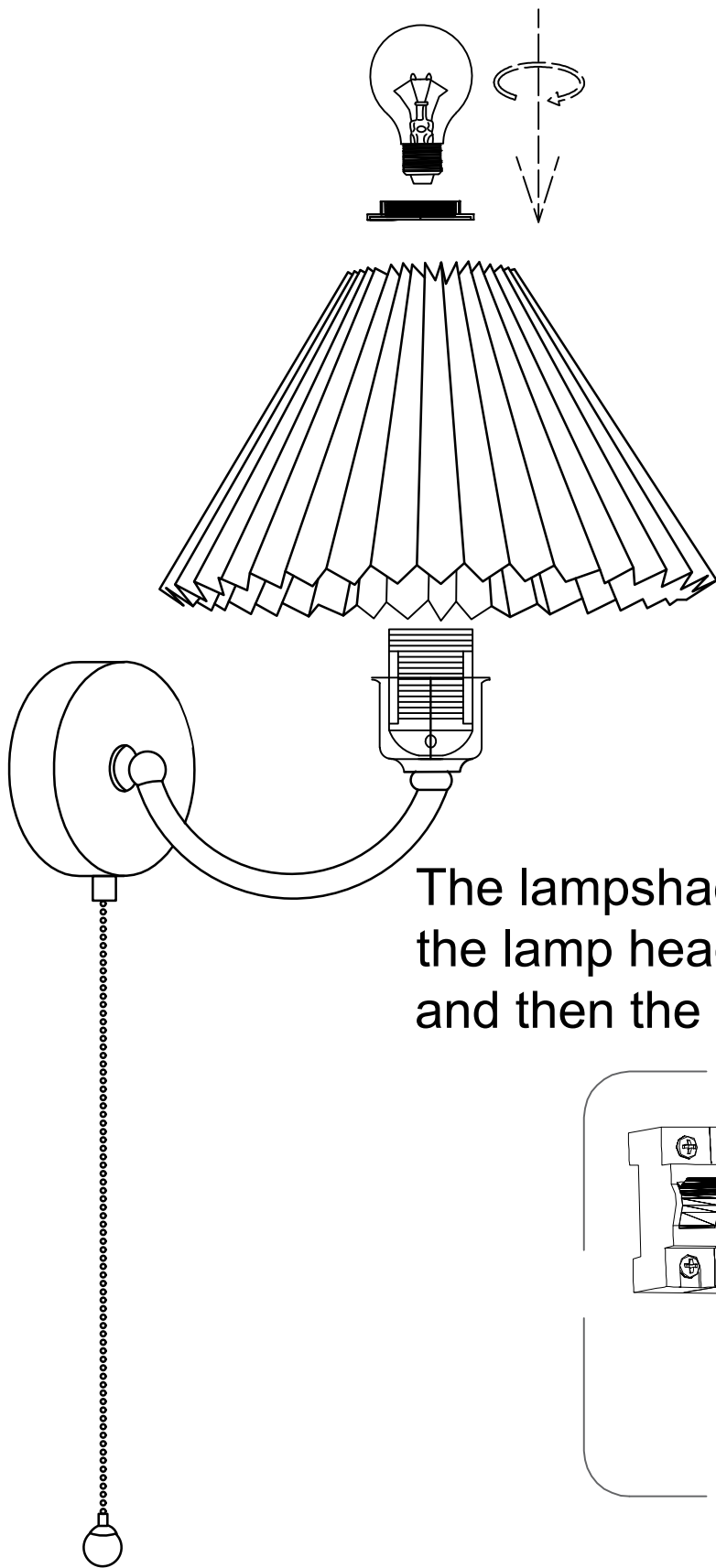


⑤



Install the pleated lampshade according to the steps above

4



The lampshade is twisted onto the lamp head with a tooth ring, and then the bulb is installed

