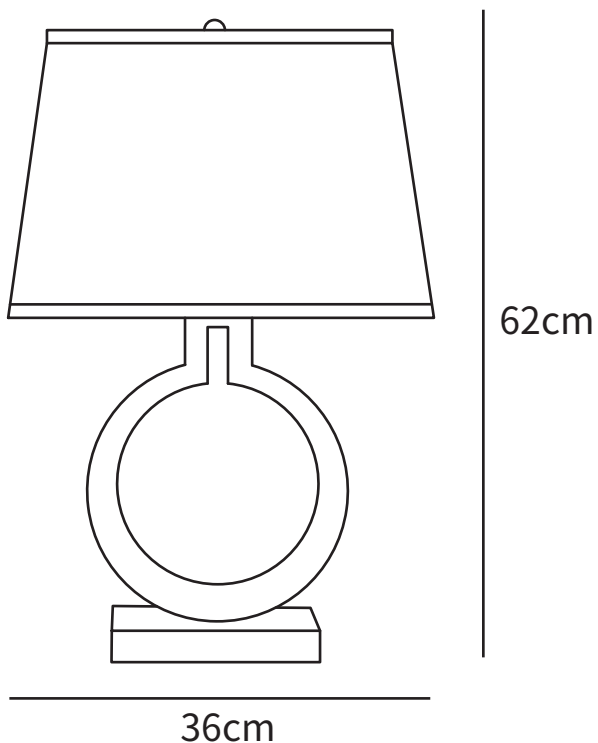


SPECIFICATION SHEET



SPECIFICATION DETAILS

*For custom options, consult factory for details

Fixture Dimensions	D 14.1" x H 24.4"
Light source	E26 or E27
Wattage	Max 40W
Voltage	AC 110-240V
Color Temperature	Based on the purchase of light bulbs
CRI(Ra)	80CRI
Mounting	Table
Driver Required	NO
Optional Color Temps	Buy bulbs as needed
LED Rated Life	Based on bulb life (we do not supply bulbs)
Dimming	Dimming is not supported
Finishes	Gold
Shade Details	White
Material	Metal, Fabric
Wire Length	59"
Wire Type	Wire with switch plug