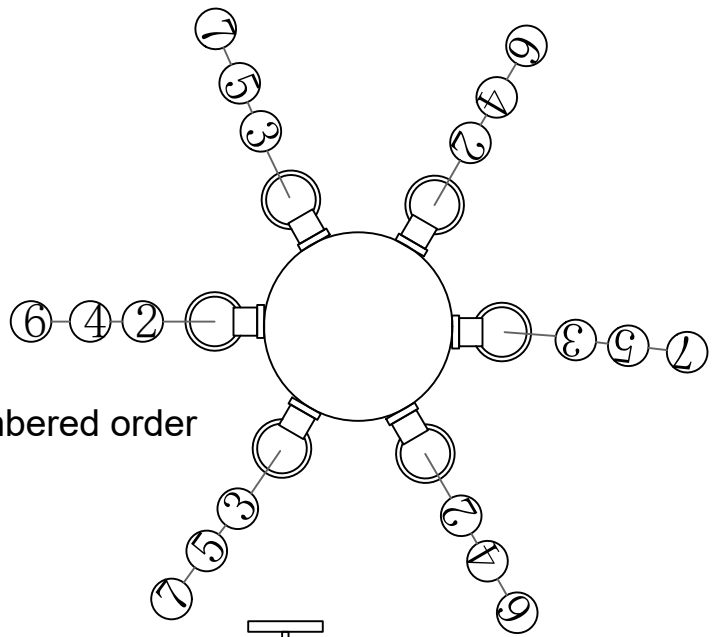
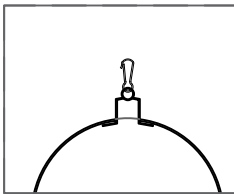
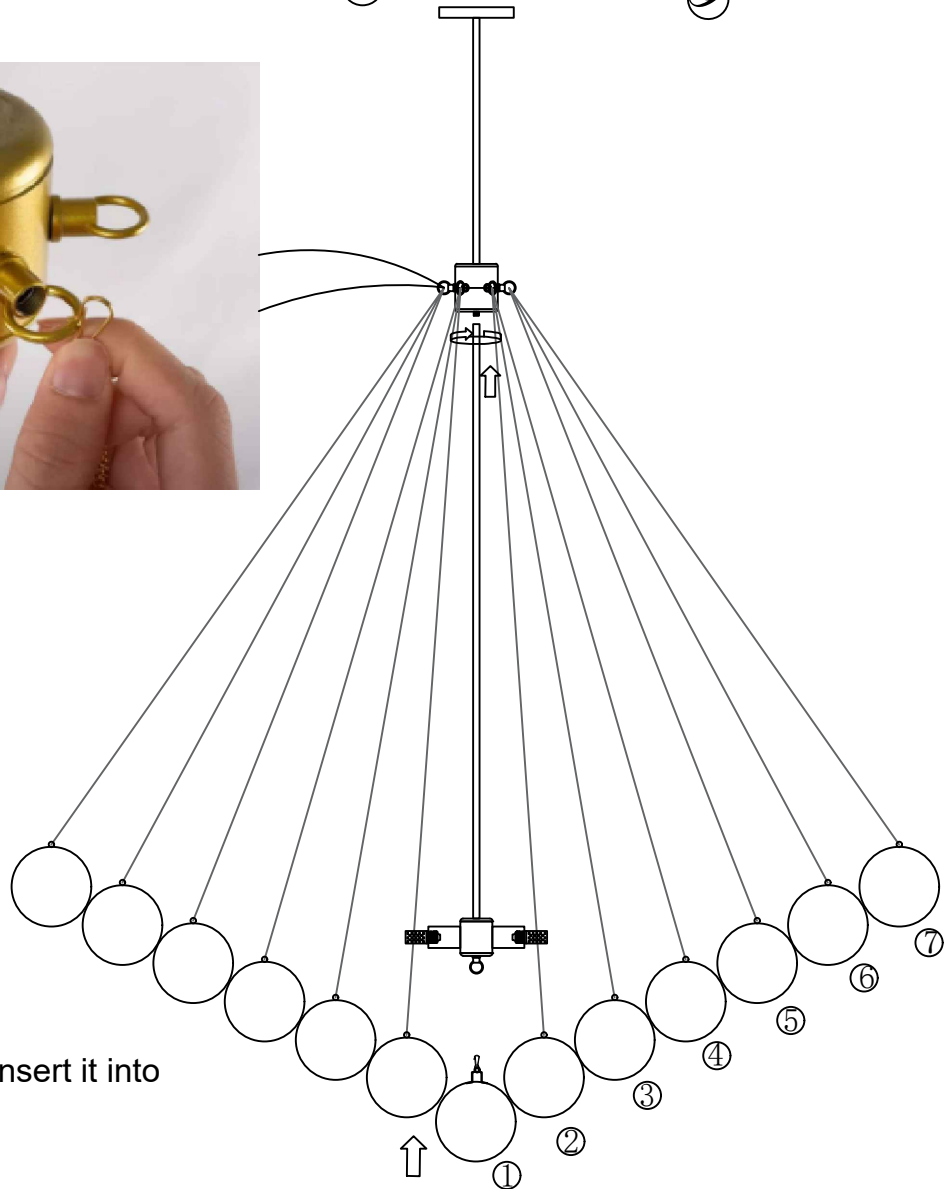


1

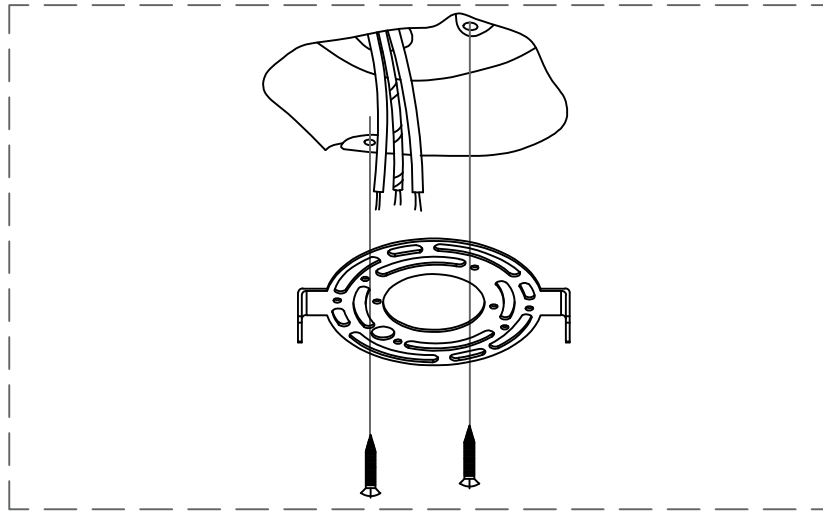


Install chains in numbered order

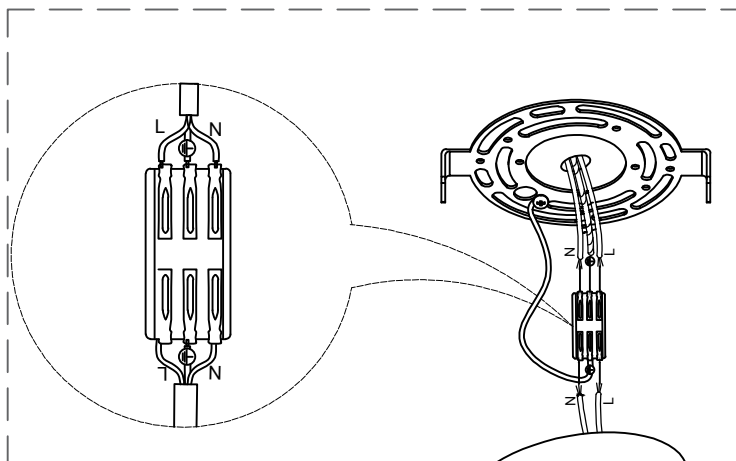
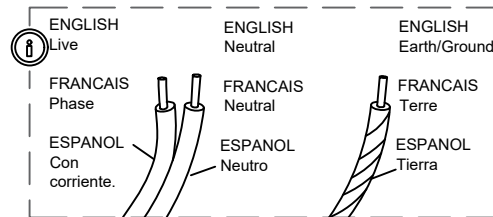


Pinch the buckle and insert it into the glass cover

2

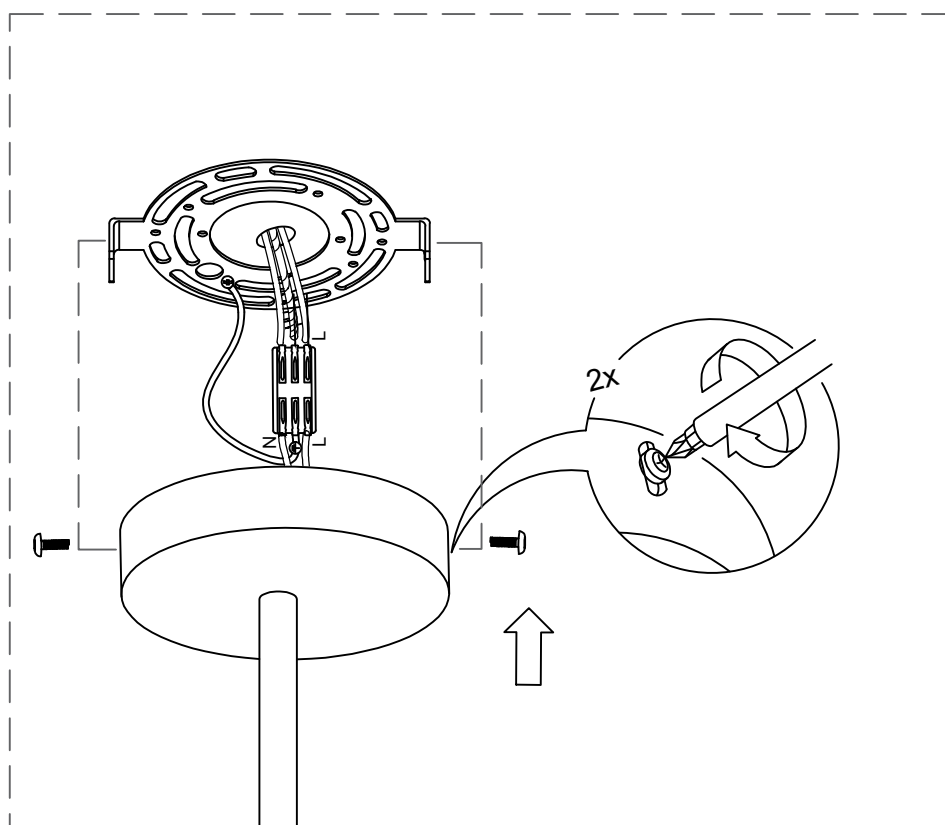


Fasten the hanging board to the ceiling with screws



The wires in the home are connected to the wires in the lamps through the wire terminals

3



The side screws fix the lamp body to the ceiling plate