

1:Assembly of lamp body

2:Installing bulb

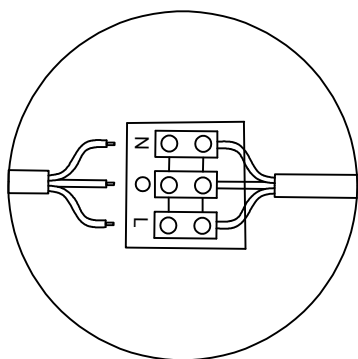
3:Fix the hanging board to the ceiling

4:Connect the lamp wires to the reserved wires

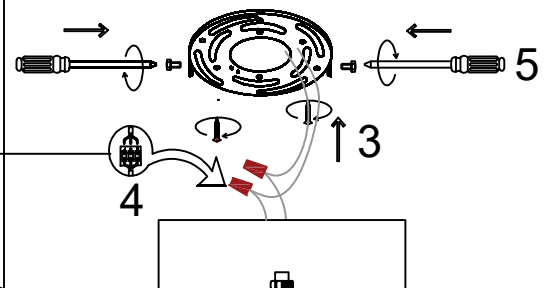
5:Fix the ceiling tray and hanging board from the side

6:Hook chain

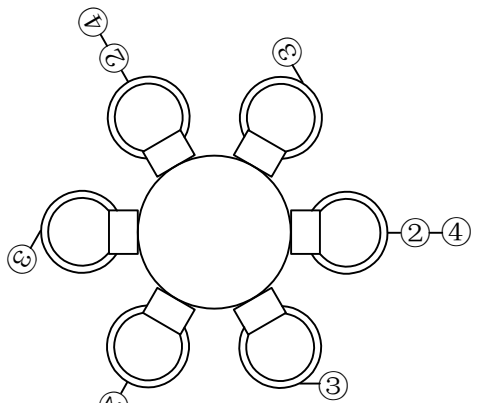
7:Pinch the buckle and insert it into the glass cover



4



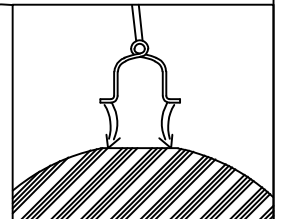
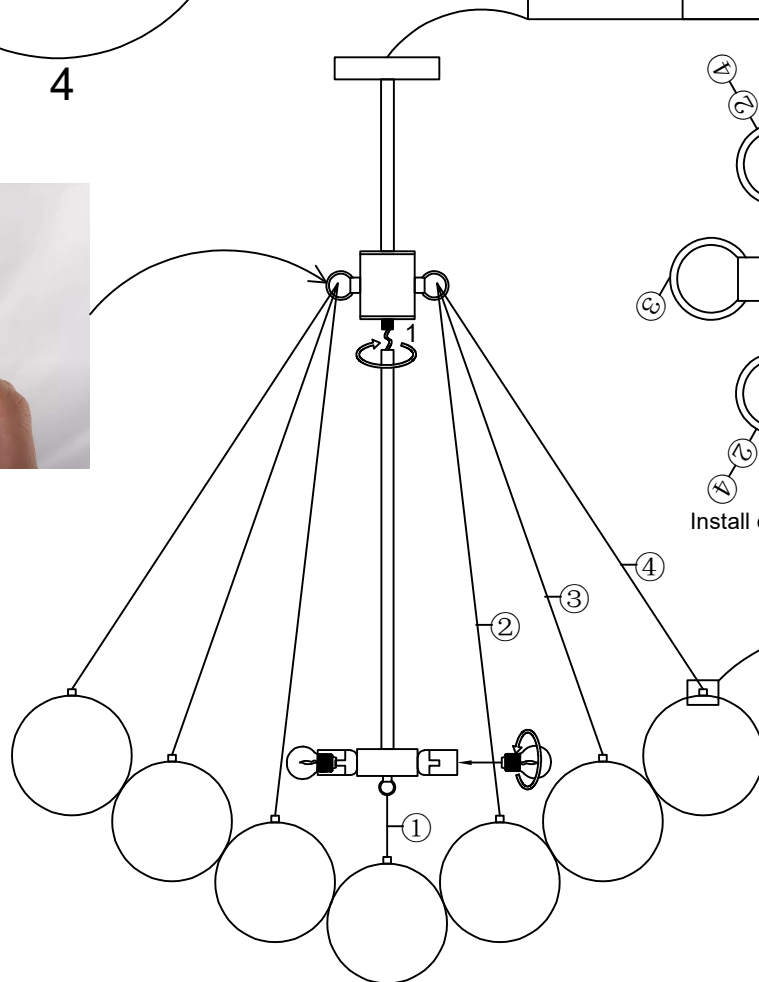
5



Install chains in numbered order



6



7

1:Assembly of lamp body

2:Installing bulb

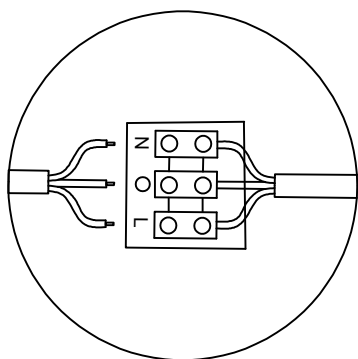
3:Fix the hanging board to the ceiling

4:Connect the lamp wires to the reserved wires

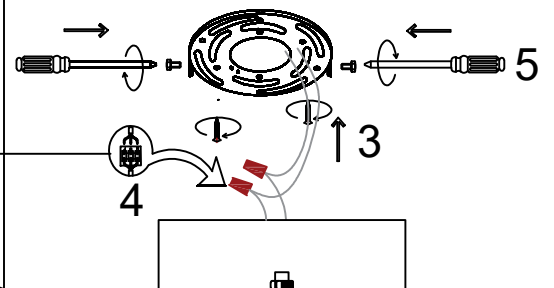
5:Fix the ceiling tray and hanging board from the side

6:Hook chain

7:Pinch the buckle and insert it into the glass cover



4



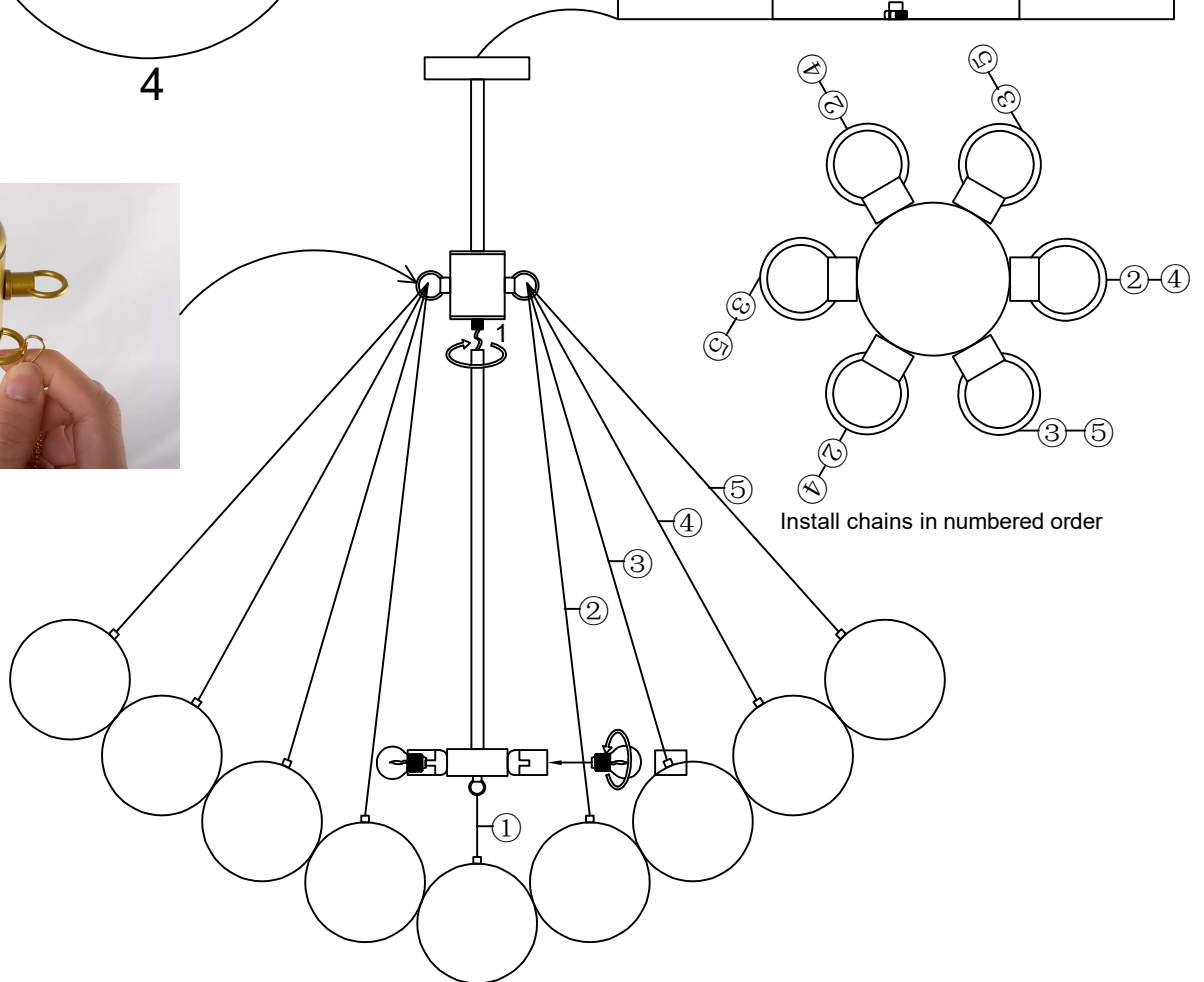
5

4

3



6



Install chains in numbered order

1:Assembly of lamp body

2:Installing bulb

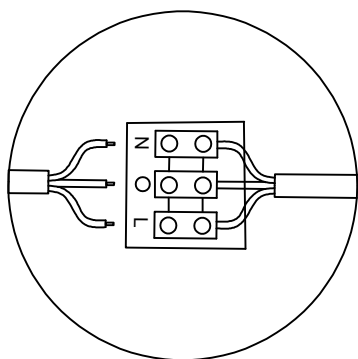
3:Fix the hanging board to the ceiling

4:Connect the lamp wires to the reserved wires

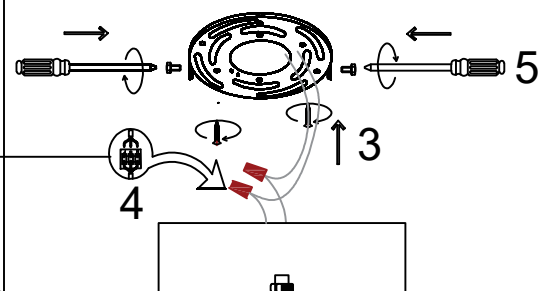
5:Fix the ceiling tray and hanging board from the side

6:Hook chain

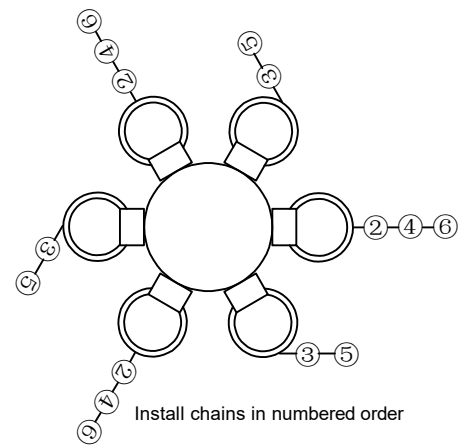
7:Pinch the buckle and insert it into the glass cover



4



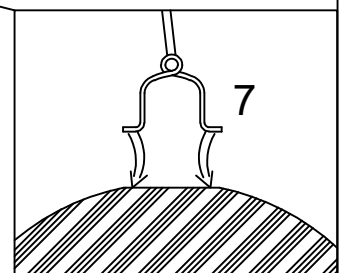
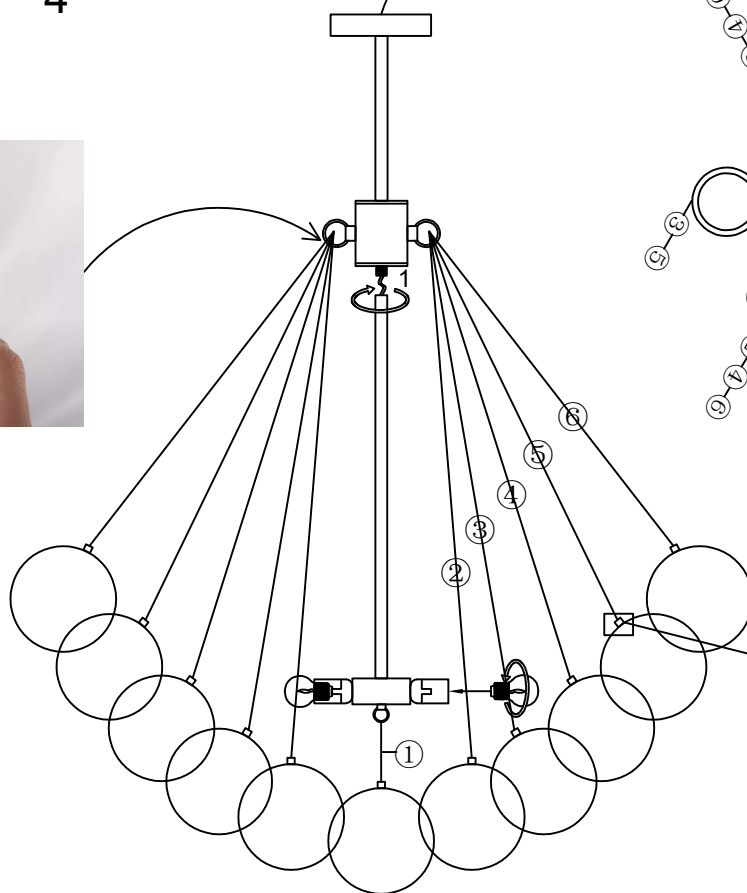
5



Install chains in numbered order



6



7

1:Assembly of lamp body

2:Installing bulb

3:Fix the hanging board to the ceiling

4:Connect the lamp wires to the reserved wires

5:Fix the ceiling tray and hanging board from the side

6:Hook chain

7:Pinch the buckle and insert it into the glass cover

