

1:Tighten the lampshade with screws

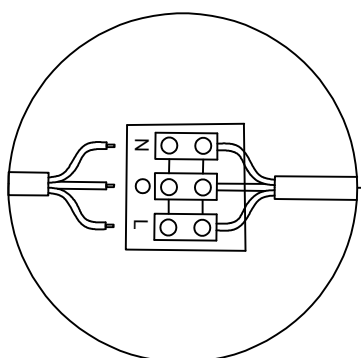
2:Clip the semi-circular lampshade into the lamp body

3:Fix the hanging board to the ceiling

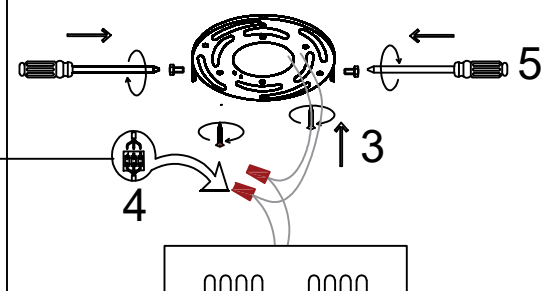
4:Connect the lamp wires to the reserved wires

5:Fix the ceiling tray and hanging board from the side

6:Hang the hook



4



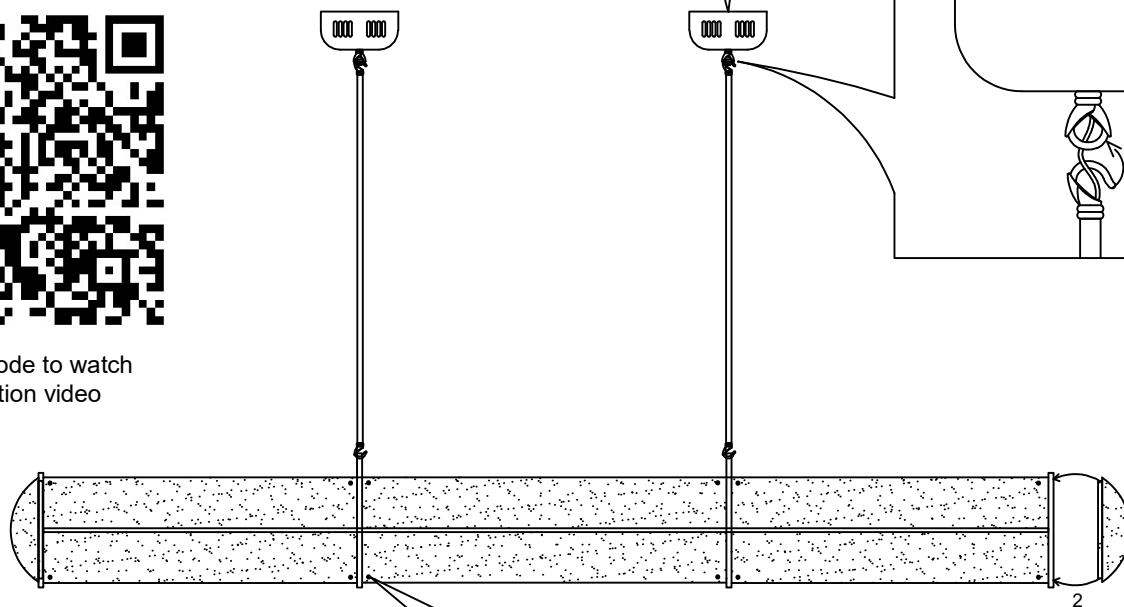
5

4

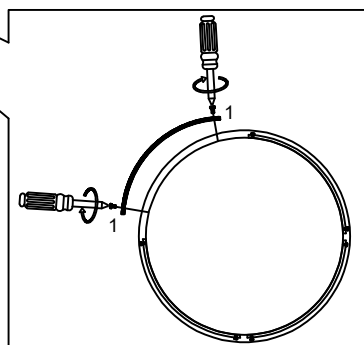
3



Scan the code to watch the installation video



2



1

1

1:Tighten the lampshade with screws

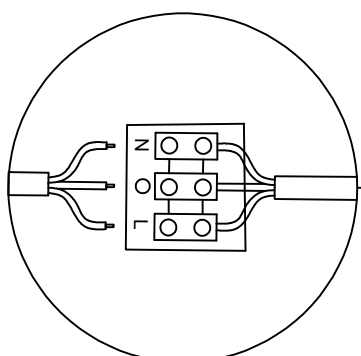
2:Clip the semi-circular lampshade into the lamp body

3:Fix the hanging board to the ceiling

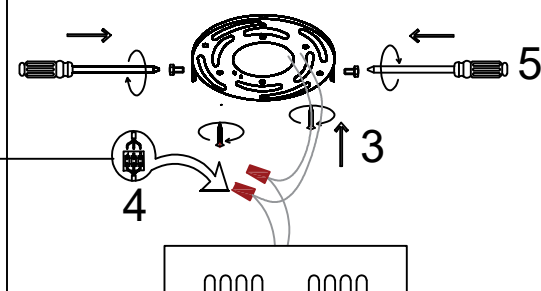
4:Connect the lamp wires to the reserved wires

5:Fix the ceiling tray and hanging board from the side

6:Hang the hook



4



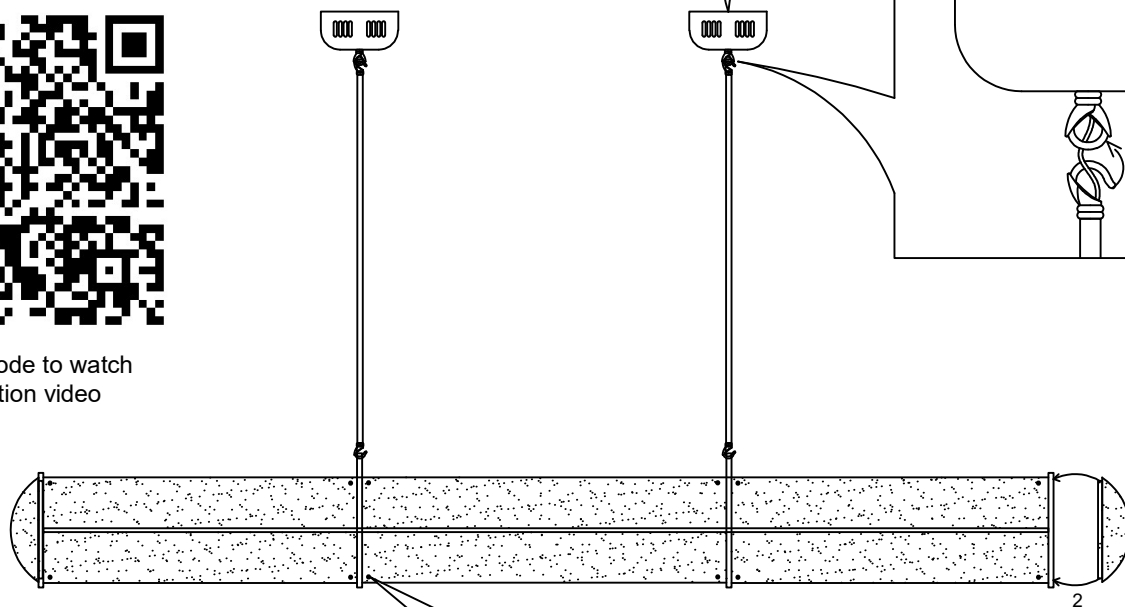
5

4

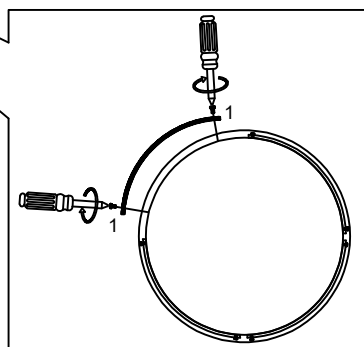
3



Scan the code to watch the installation video



2



1

1

1:Tighten the lampshade with screws

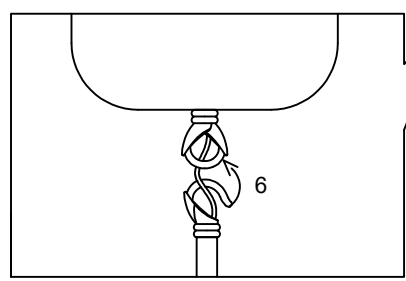
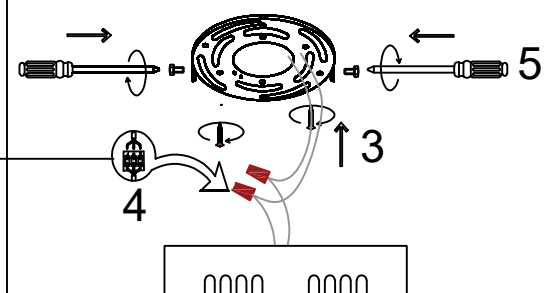
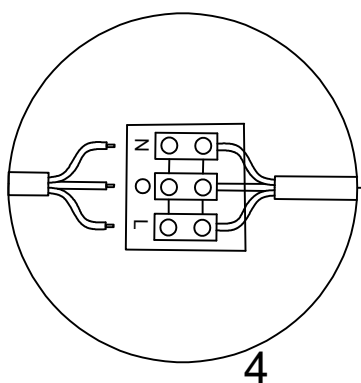
2:Clip the semi-circular lampshade into the lamp body

3:Fix the hanging board to the ceiling

4:Connect the lamp wires to the reserved wires

5:Fix the ceiling tray and hanging board from the side

6:Hang the hook



Scan the code to watch the installation video

