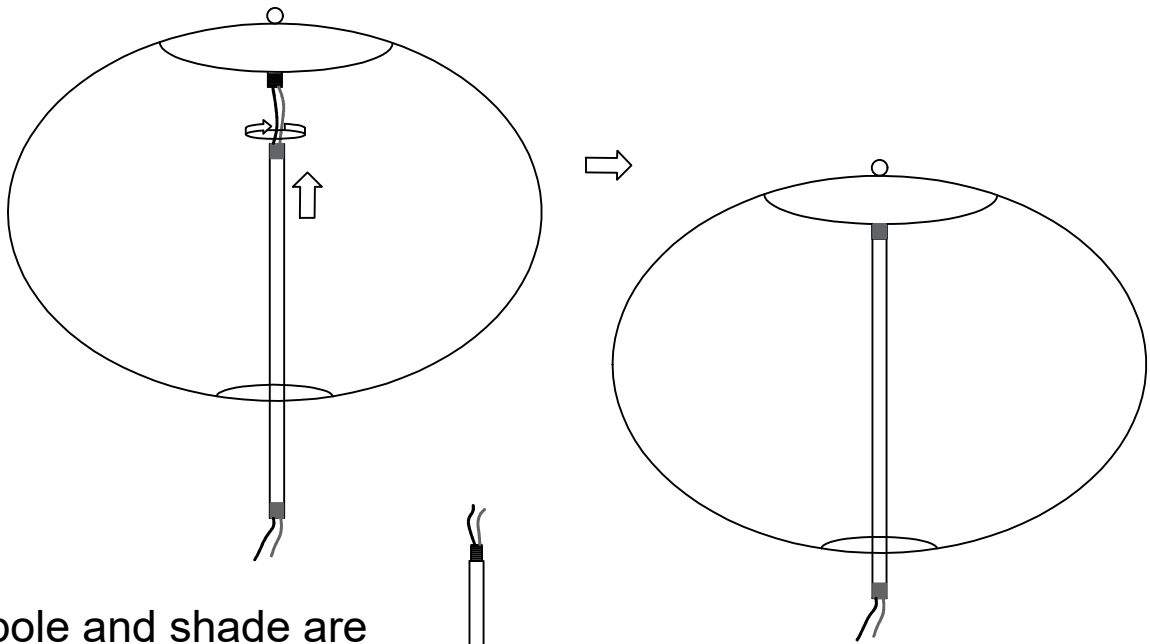
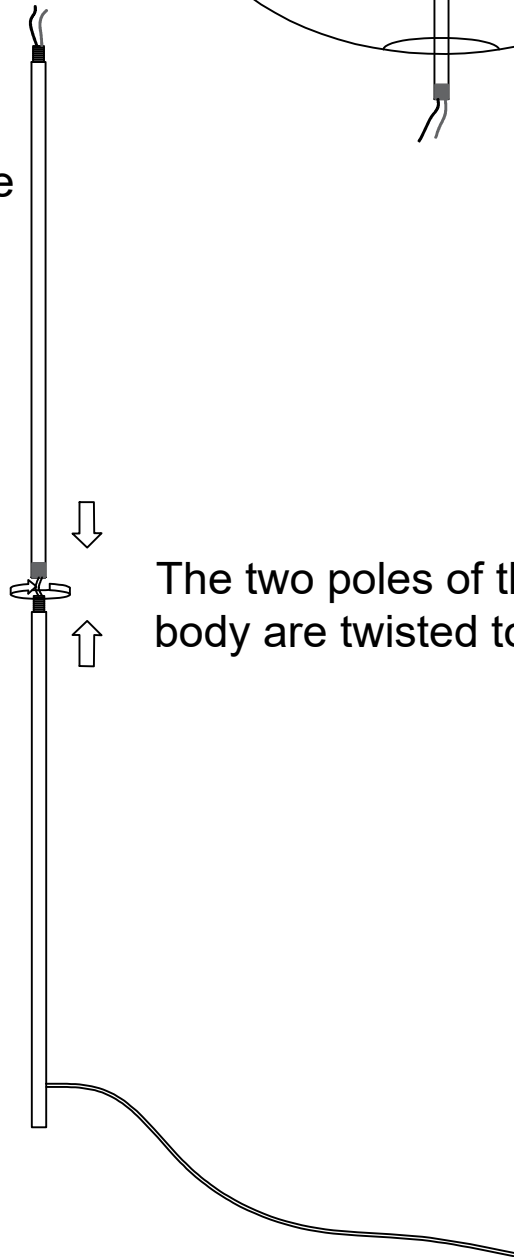


1

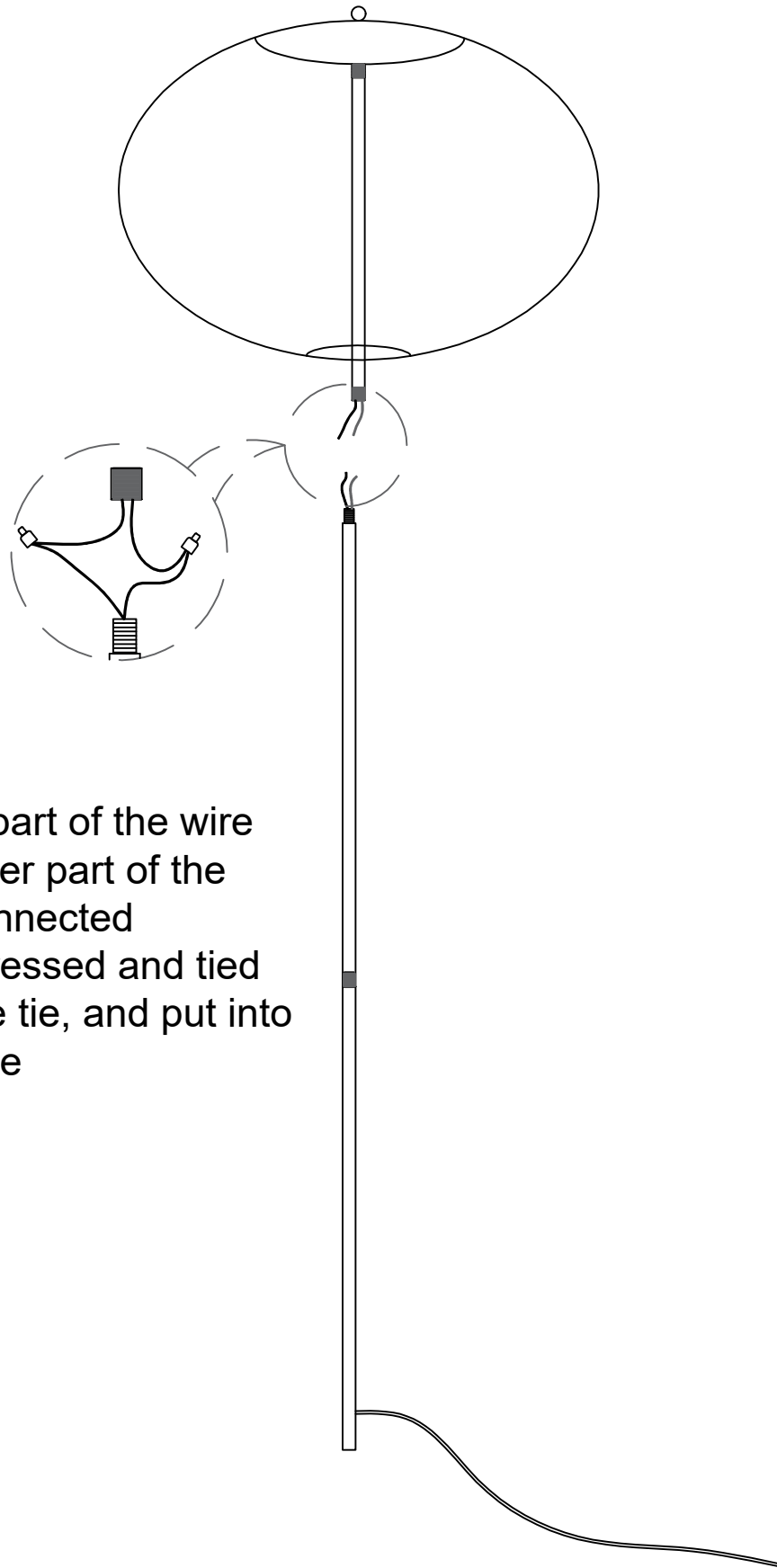


The pole and shade are mounted together (wires are threaded out of the poles)



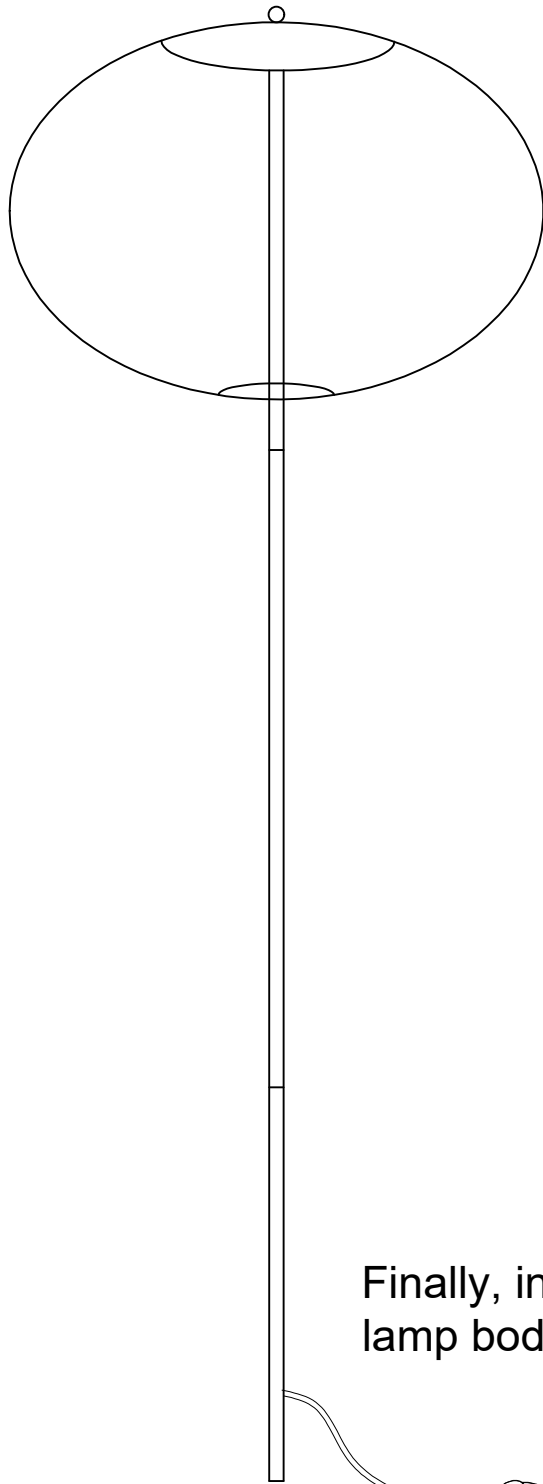
The two poles of the lamp body are twisted together

2



The upper part of the wire and the lower part of the wire are connected together, pressed and tied with a cable tie, and put into the light pole

3



Finally, install the base and the lamp body together

