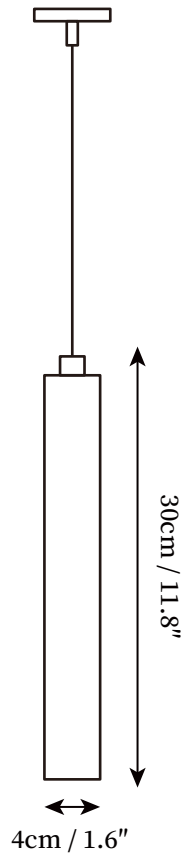


SPECIFICATION SHEET

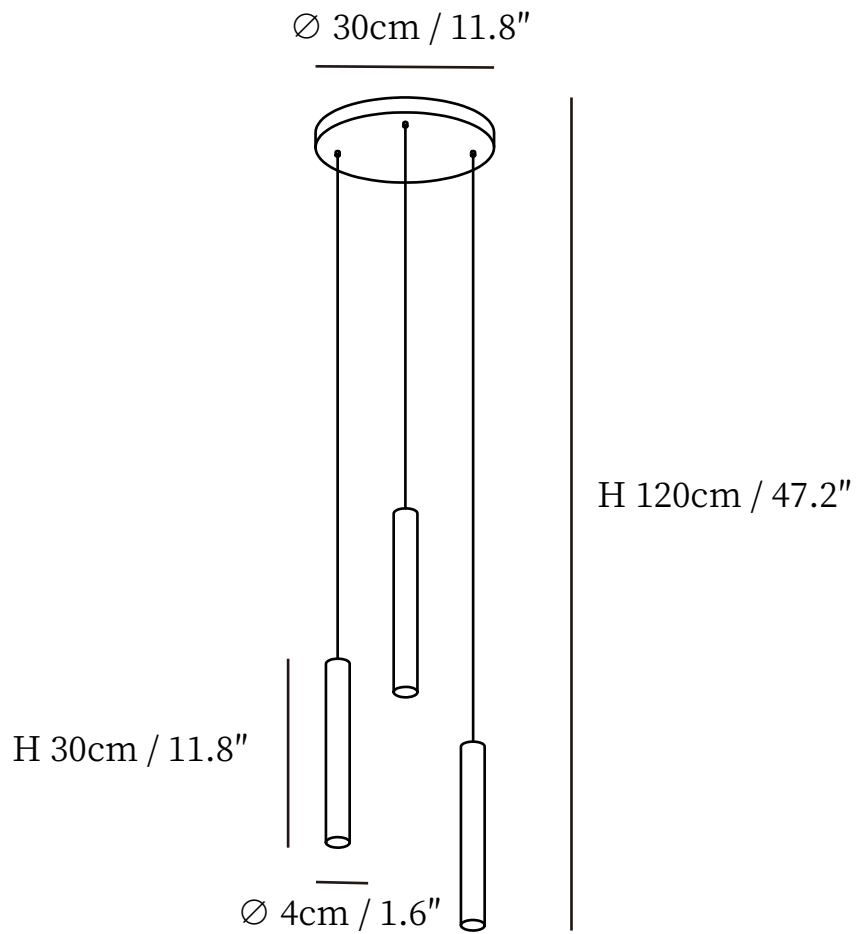


SPECIFICATION DETAILS

*For custom options, consult factory for details

Fixture Dimensions	D 1.6" x H 11.8"
Light source	E26 or E27 (bulb not included)
Wattage	MAX 40W incandescent bulb or LED equivalent.
Voltage	AC 110-240V
Mounting	Hardwired.
Dimming	Compatible with dimmable bulbs (bulb not included)
Control method	Compatible with common wall switches (not included)
Finishes	White, Black, Concrete grey
Shade Details	White, Black, Concrete grey
Material	Concrete, Construction Recycling Waste, Terrazzo, Metal
Wire Length	The standard length of the suspended wire is 47.2 "(120cm) and the length is adjustable.

SPECIFICATION SHEET



SPECIFICATION DETAILS

*For custom options, consult factory for details

Fixture Dimensions	D 11.8" x H 47.2"
Light source	E26 or E27 (bulb not included)
Wattage	MAX 40W incandescent bulb or LED equivalent.
Voltage	AC 110-240V
Mounting	Hardwired.
Dimming	Compatible with dimmable bulbs (bulb not included)
Control method	Compatible with common wall switches(not included)
Finishes	White, Black, Concrete grey
Shade Details	White, Black, Concrete grey
Material	Concrete, Construction Recycling Waste, Terrazzo, Metal
Wire Length	The standard length of the suspended wire is 47.2 "(120 cm) and the length is adjustable.
