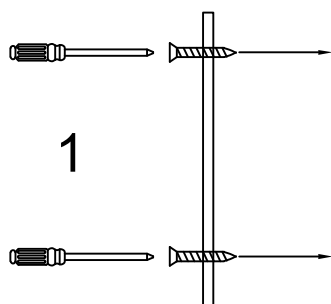


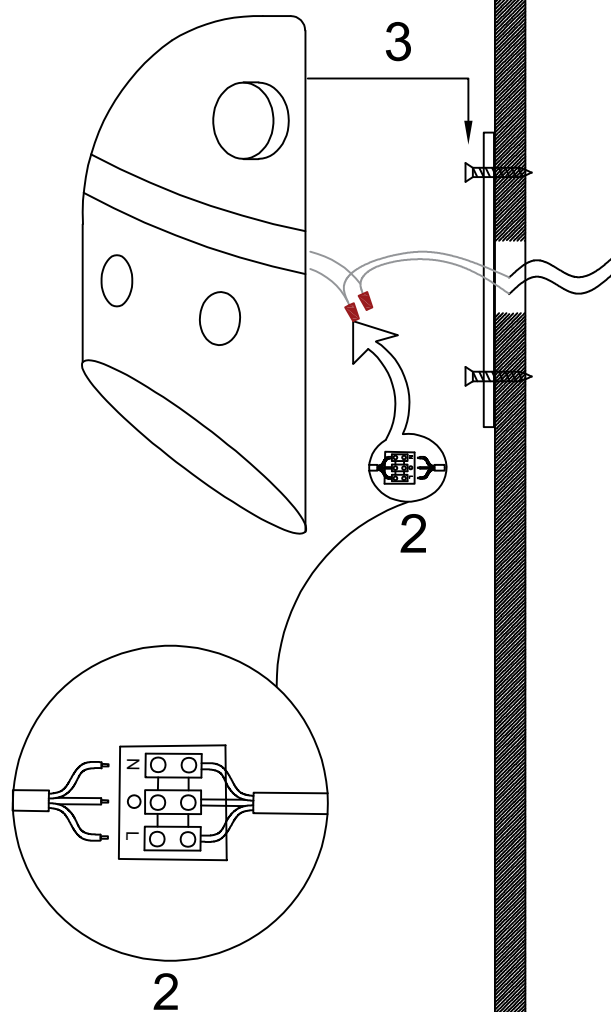
1: Fix the screws to the wall

2: Connect the lamp wires to the reserved wires

3: Hanging buckle lamp body



1



3

2

2