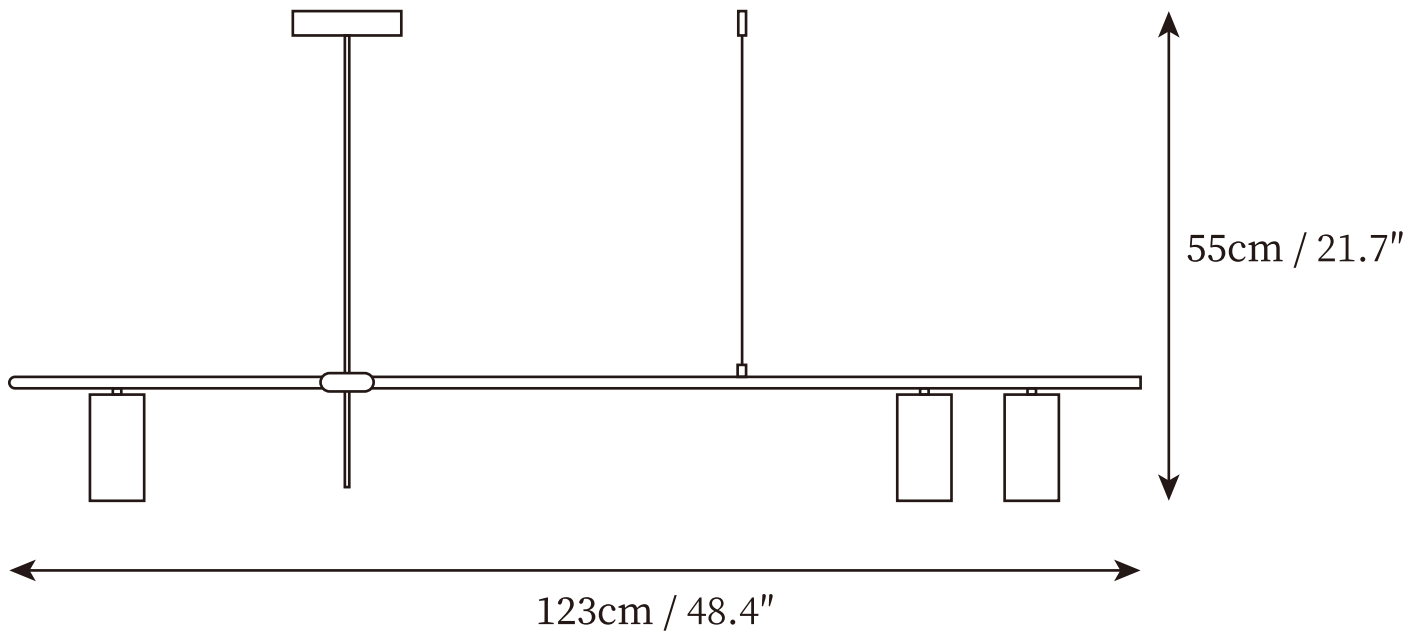


# SPECIFICATION SHEET

---



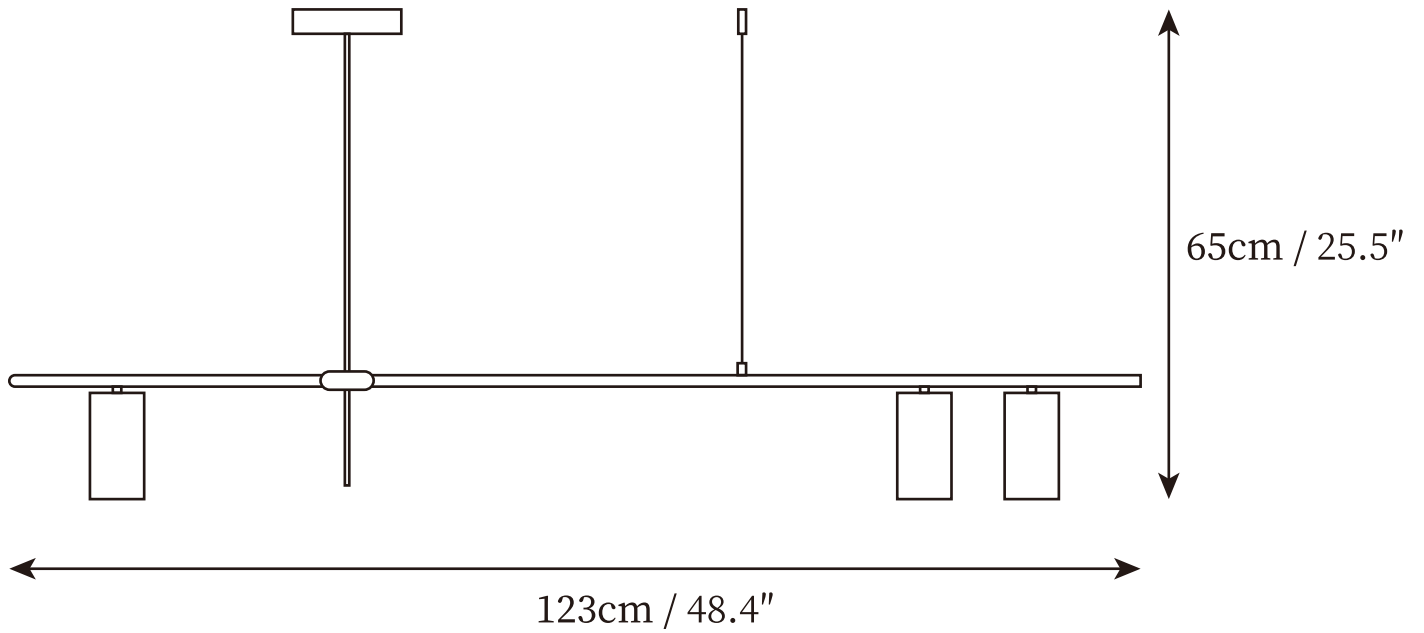
## SPECIFICATION DETAILS

\*For custom options, consult factory for details

<b>Fixture Dimensions</b>	L 48.4" x H 21.7" (3heads)
<b>Light source</b>	E26 or E27 (bulb not included)
<b>Wattage</b>	MAX 40W incandescent bulb or LED equivalent.
<b>Voltage</b>	AC 110-240V
<b>Mounting</b>	Hardwired.
<b>Dimming</b>	Compatible with dimmable bulbs (bulb not included)
<b>Control method</b>	Compatible with common wall switches(not included)
<b>Finishes</b>	Copper
<b>Shade Details</b>	Black, Copper, Brass
<b>Material</b>	Black, Brass
<b>Rod Length</b>	Suspension rod is 19.7"+15.8"+11.8", and can be spliced as needed.

# SPECIFICATION SHEET

---



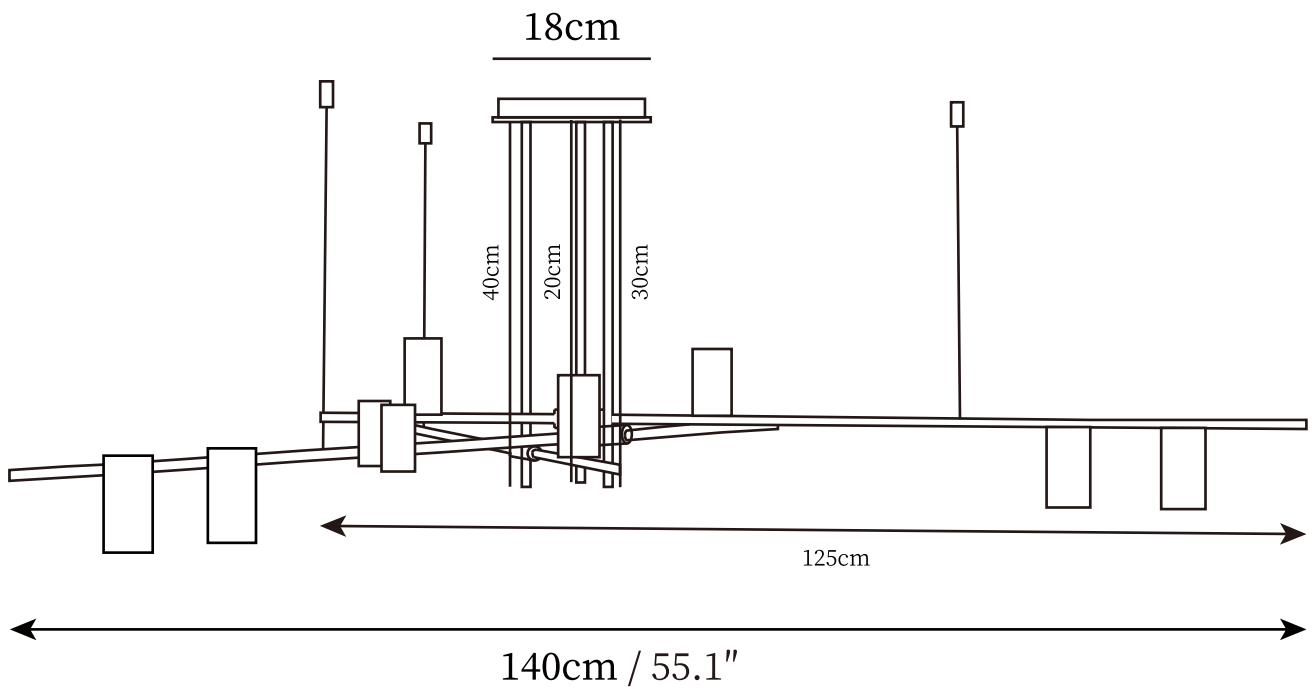
## SPECIFICATION DETAILS

\*For custom options, consult factory for details

<b>Fixture Dimensions</b>	L 48.4" x H 25.5"(4heads)
<b>Light source</b>	E26 or E27 (bulb not included)
<b>Wattage</b>	MAX 40W incandescent bulb or LED equivalent.
<b>Voltage</b>	AC 110-240V
<b>Mounting</b>	Hardwired.
<b>Dimming</b>	Compatible with dimmable bulbs (bulb not included)
<b>Control method</b>	Compatible with common wall switches(not included)
<b>Finishes</b>	Copper
<b>Shade Details</b>	Black, Copper, Brass
<b>Material</b>	Black, Brass
<b>Rod Length</b>	Suspension rod is 19.7"+15.8"+11.8", and can be spliced as needed.

# SPECIFICATION SHEET

---



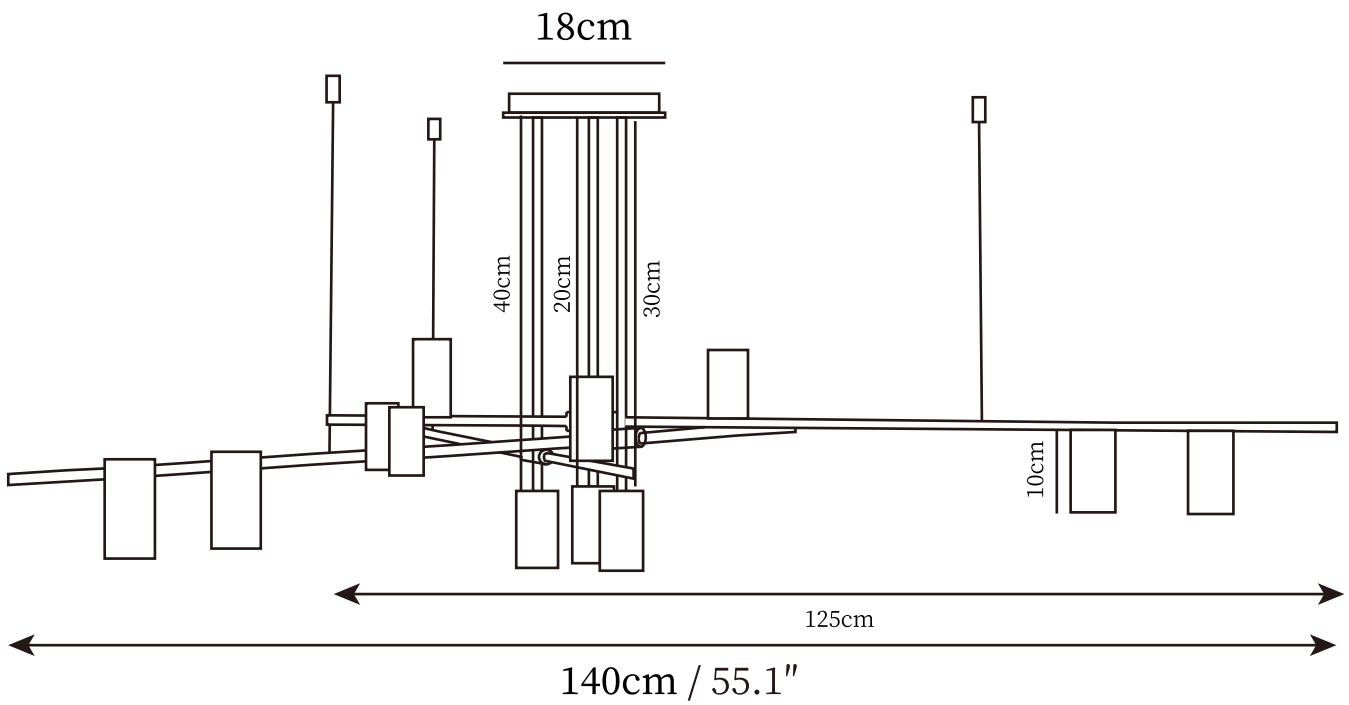
## SPECIFICATION DETAILS

\*For custom options, consult factory for details

<b>Fixture Dimensions</b>	L 55.1" x H 21.7"(9heads)
<b>Light source</b>	E26 or E27 (bulb not included)
<b>Wattage</b>	MAX 40W incandescent bulb or LED equivalent.
<b>Voltage</b>	AC 110-240V
<b>Mounting</b>	Hardwired.
<b>Dimming</b>	Compatible with dimmable bulbs (bulb not included)
<b>Control method</b>	Compatible with common wall switches(not included)
<b>Finishes</b>	Copper
<b>Shade Details</b>	Black, Copper, Brass
<b>Material</b>	Black, Brass
<b>Rod Length</b>	Suspension rod is 19.7"+15.8"+11.8", and can be spliced as needed.

# SPECIFICATION SHEET

---



## SPECIFICATION DETAILS

\*For custom options, consult factory for details

<b>Fixture Dimensions</b>	L 55.1" x H 25.5"(12heads)
<b>Light source</b>	E26 or E27 (bulb not included)
<b>Wattage</b>	MAX 40W incandescent bulb or LED equivalent.
<b>Voltage</b>	AC 110-240V
<b>Mounting</b>	Hardwired.
<b>Dimming</b>	Compatible with dimmable bulbs (bulb not included)
<b>Control method</b>	Compatible with common wall switches(not included)
<b>Finishes</b>	Copper
<b>Shade Details</b>	Black, Copper, Brass
<b>Material</b>	Black, Brass
<b>Rod Length</b>	Suspension rod is 19.7"+15.8"+11.8", and can be spliced as needed.