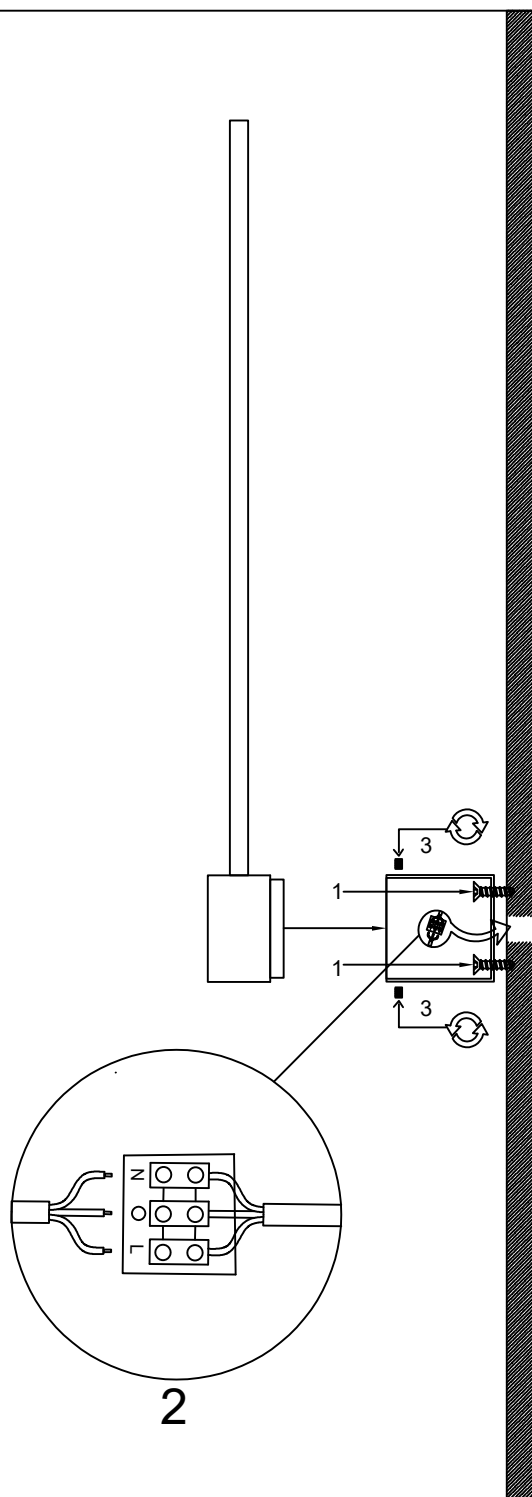


1: Fix the hardware to the wall with self tapping screws

2: Connect the lamp wires to the reserved wires

3: Fix the lamp body from the side with screws



1: Fix the hardware to the wall with self tapping screws

2: Connect the lamp wires to the reserved wires

3: Fix the lamp body from the side with screws

