

1:Assembly of lamp body

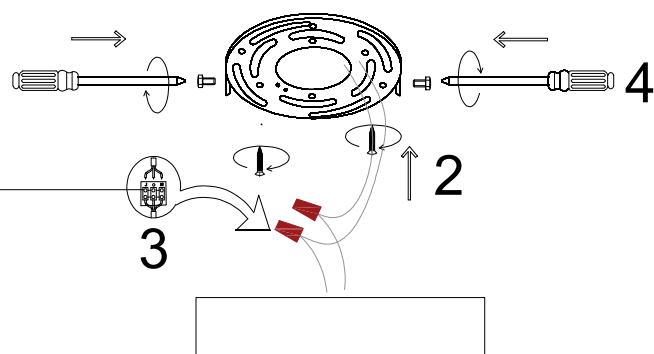
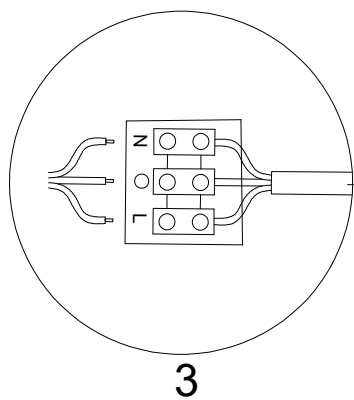
2:Fix the hanging board to the ceiling

3:Connect the lamp wires to the reserved wires

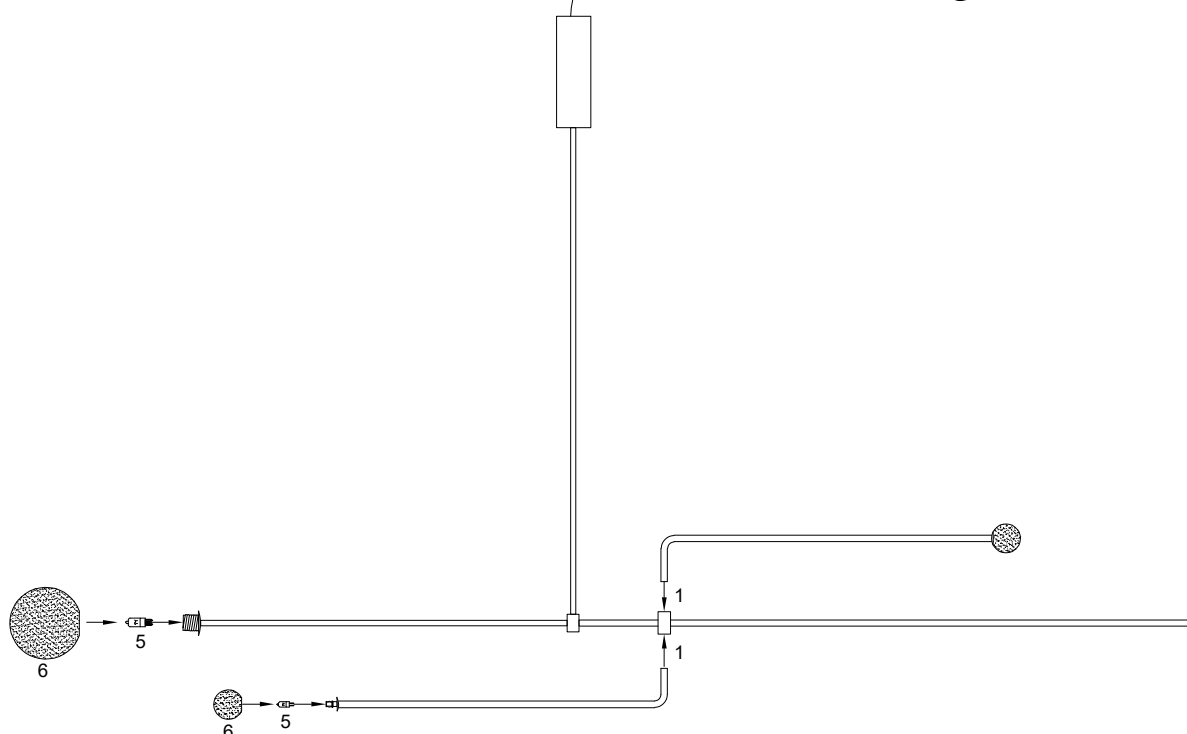
4:Fix the ceiling tray and hanging board from the side

5:Installing bulb

6:Install the lampshade



Enlarged Detail



1:Assembly of lamp body

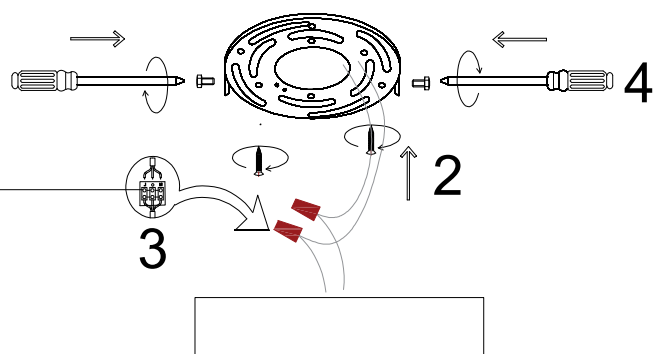
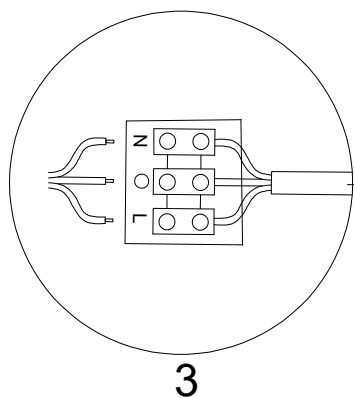
2:Fix the hanging board to the ceiling

3:Connect the lamp wires to the reserved wires

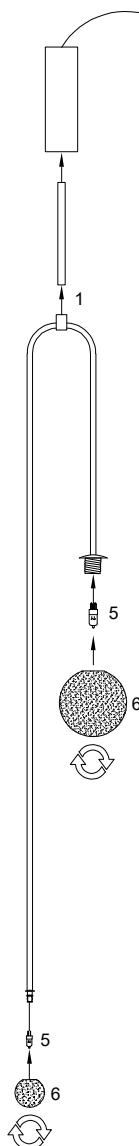
4:Fix the ceiling tray and hanging board from the side

5:Installing bulb

6:Install the lampshade



Enlarged Detail



1:Assembly of lamp body

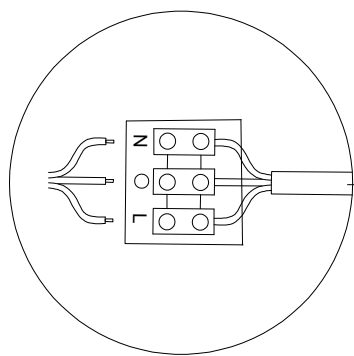
2:Fix the hanging board to the ceiling

3:Connect the lamp wires to the reserved wires

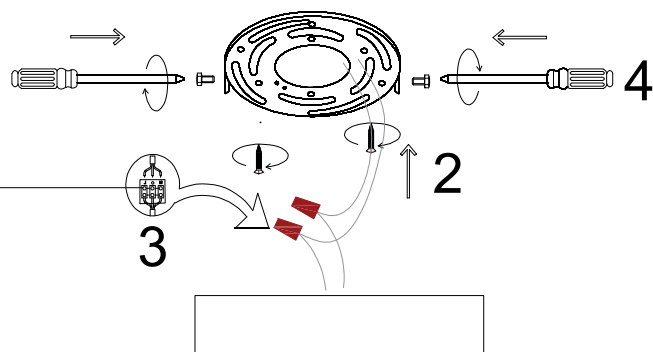
4:Fix the ceiling tray and hanging board from the side

5:Installing bulb

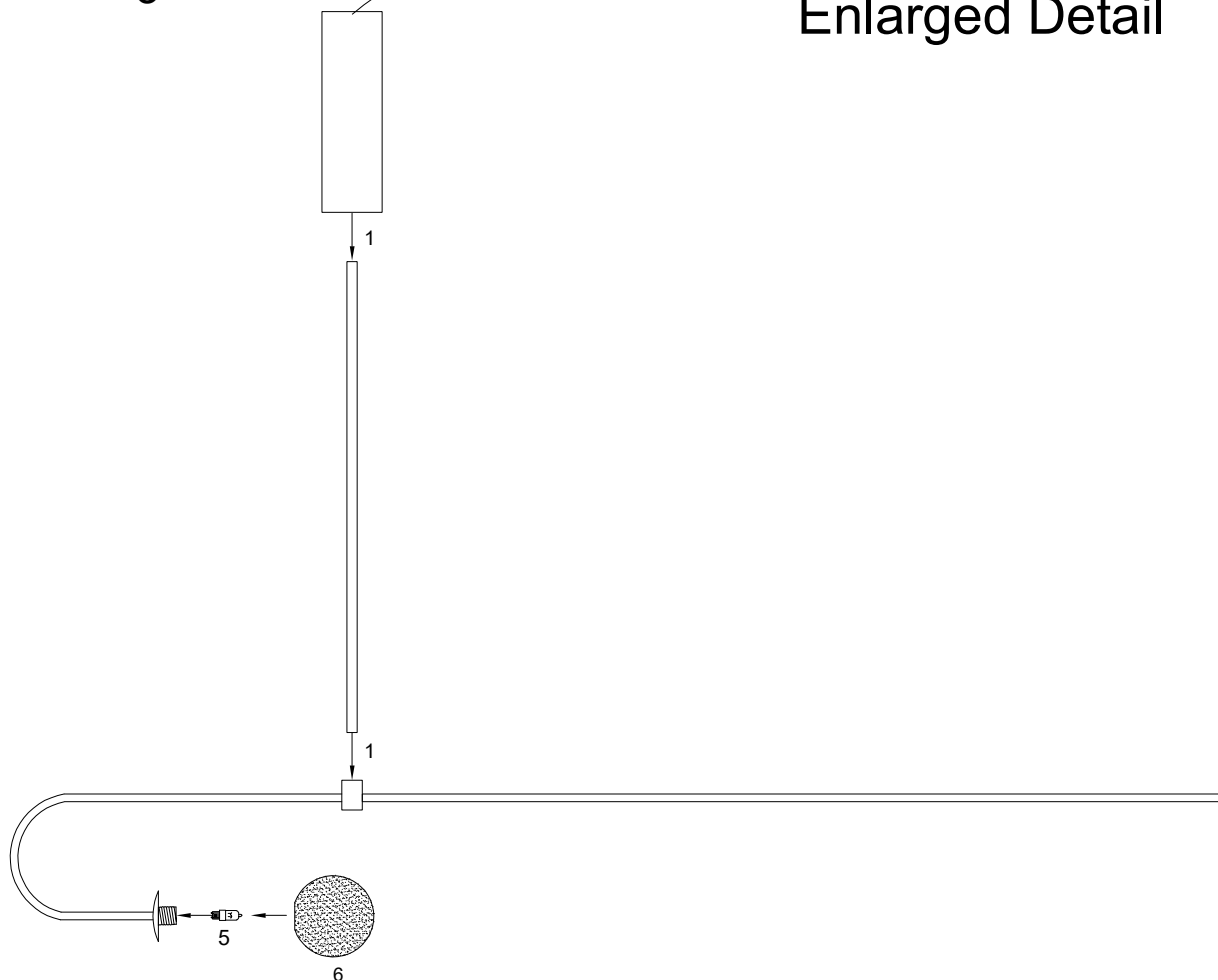
6:Install the lampshade



3



Enlarged Detail



1:Assembly of lamp body

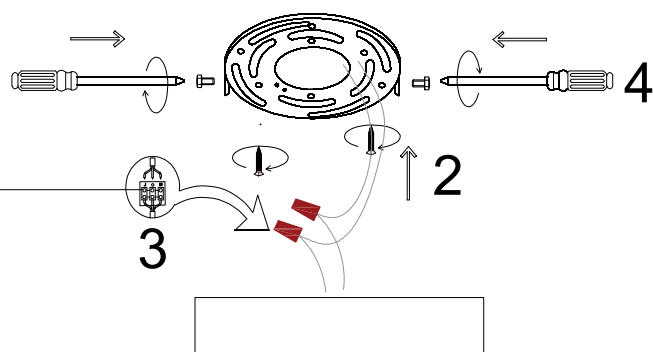
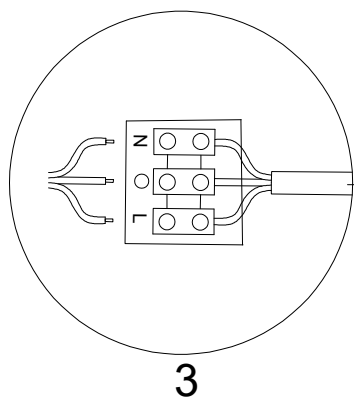
2:Fix the hanging board to the ceiling

3:Connect the lamp wires to the reserved wires

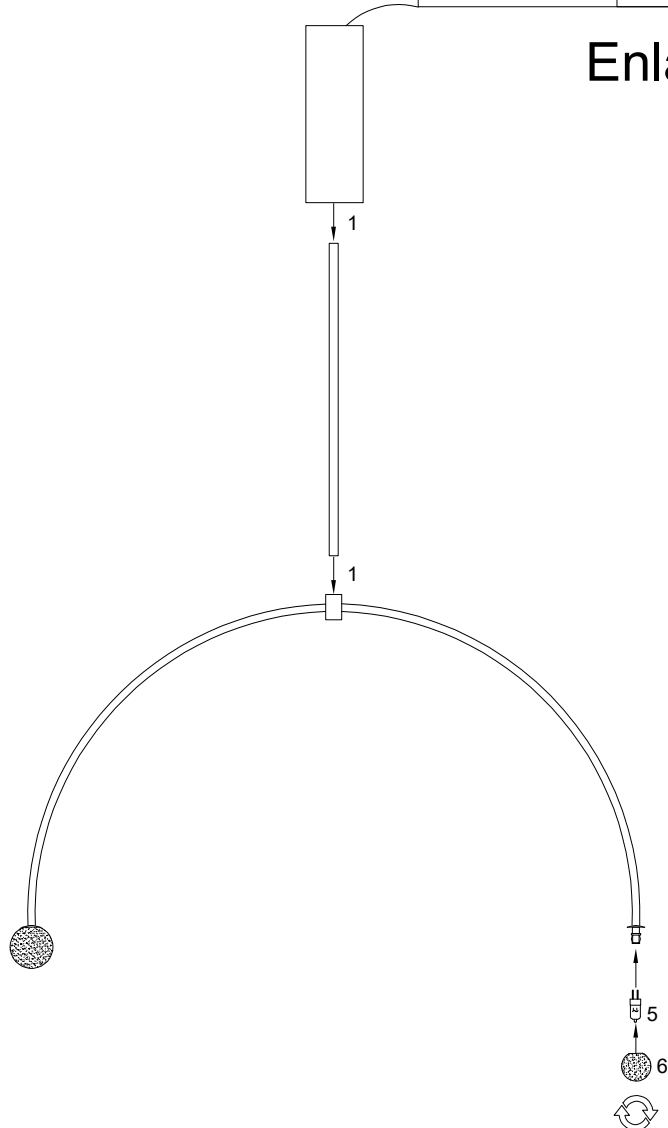
4:Fix the ceiling tray and hanging board from the side

5:Installing bulb

6:Install the lampshade



Enlarged Detail



1:Assembly of lamp body

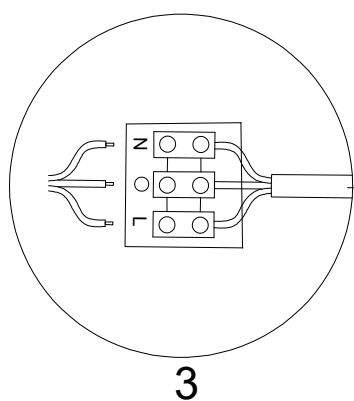
2:Fix the hanging board to the ceiling

3:Connect the lamp wires to the reserved wires

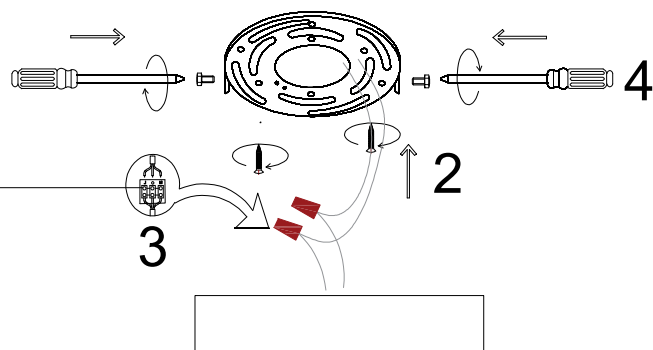
4:Fix the ceiling tray and hanging board from the side

5:Installing bulb

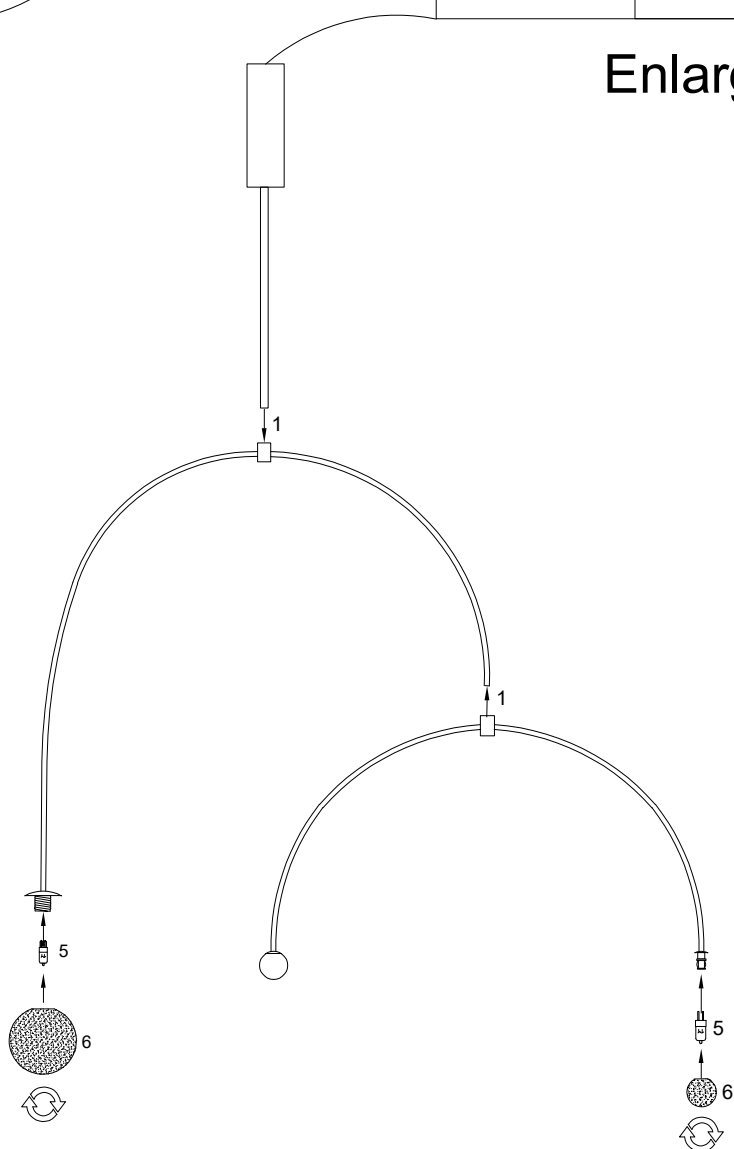
6:Install the lampshade



3



Enlarged Detail



1:Assembly of lamp body

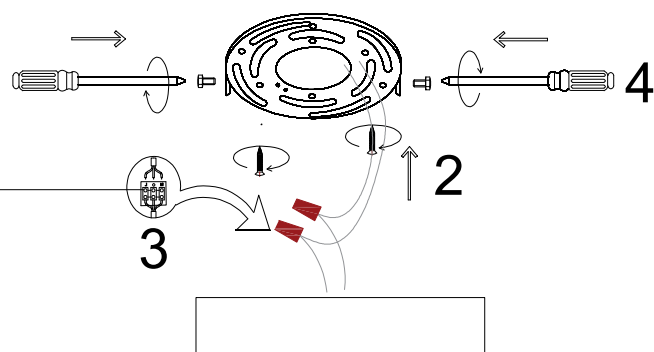
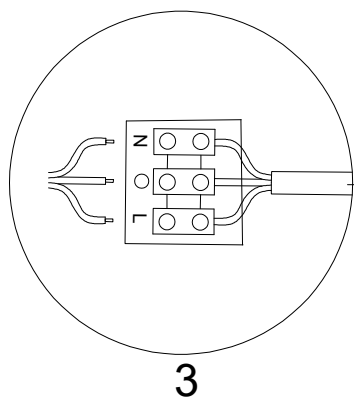
2:Fix the hanging board to the ceiling

3:Connect the lamp wires to the reserved wires

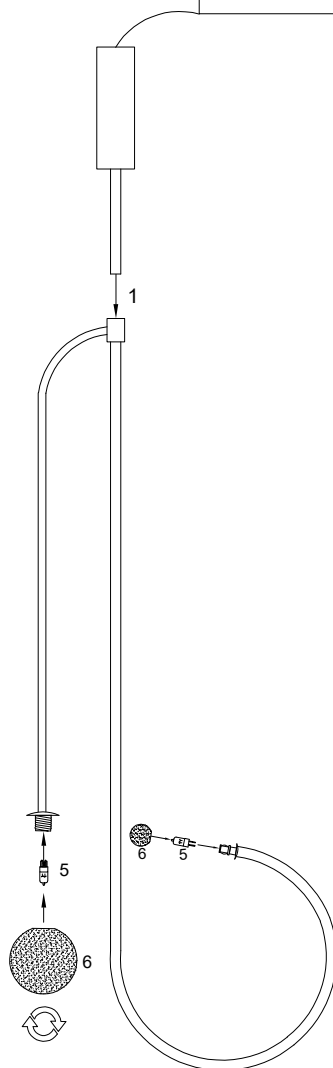
4:Fix the ceiling tray and hanging board from the side

5:Installing bulb

6:Install the lampshade



Enlarged Detail



1:Assembly of lamp body

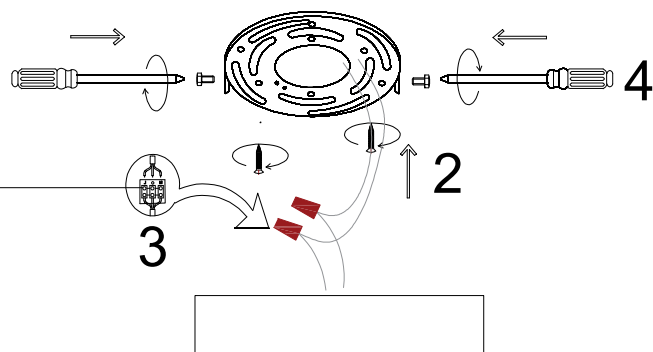
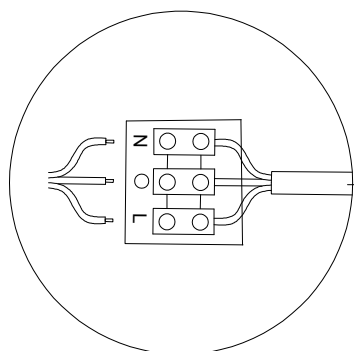
2:Fix the hanging board to the ceiling

3:Connect the lamp wires to the reserved wires

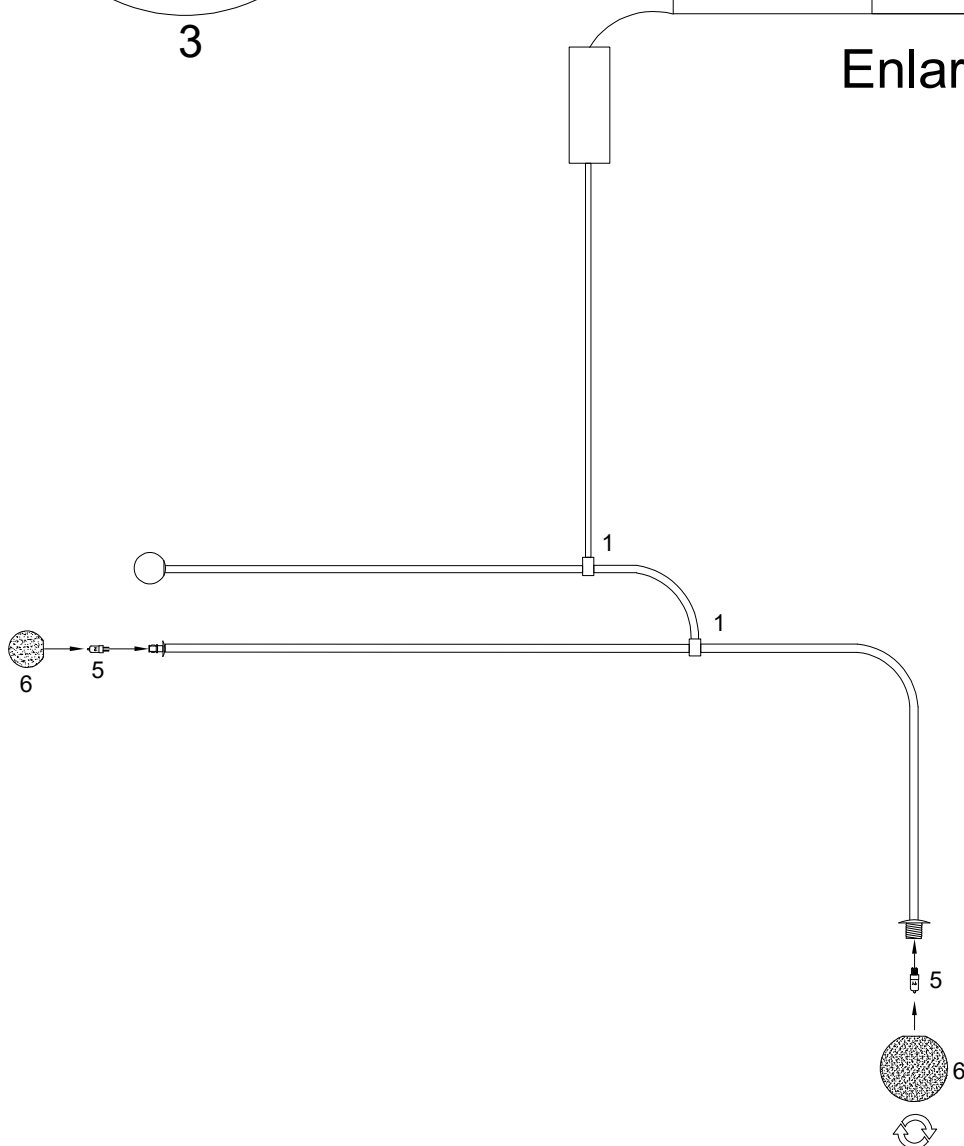
4:Fix the ceiling tray and hanging board from the side

5:Installing bulb

6:Install the lampshade



Enlarged Detail



1:Assembly of lamp body

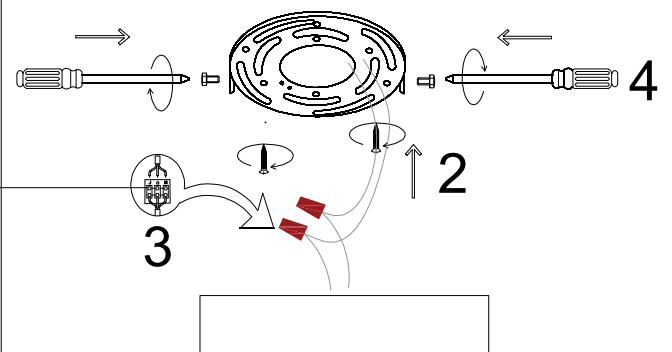
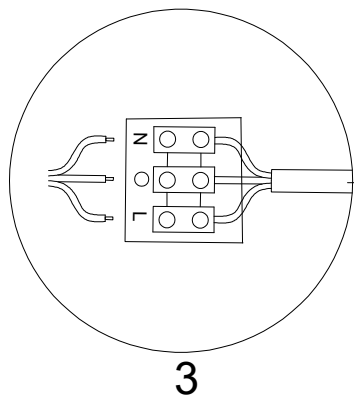
2:Fix the hanging board to the ceiling

3:Connect the lamp wires to the reserved wires

4:Fix the ceiling tray and hanging board from the side

5:Installing bulb

6:Install the lampshade



Enlarged Detail

