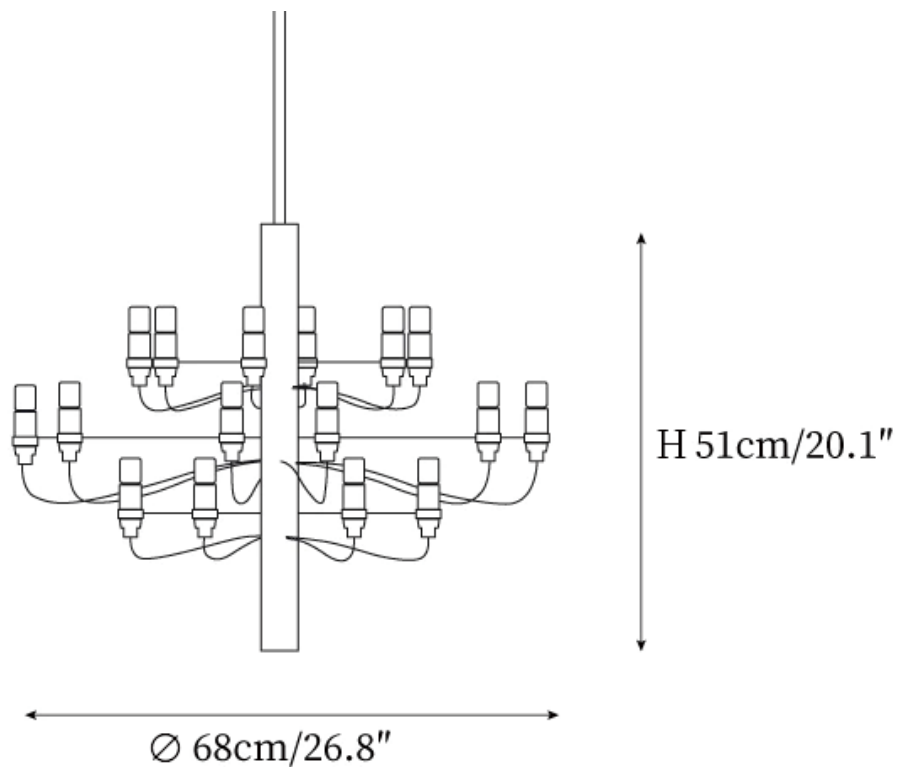


SPECIFICATION SHEET

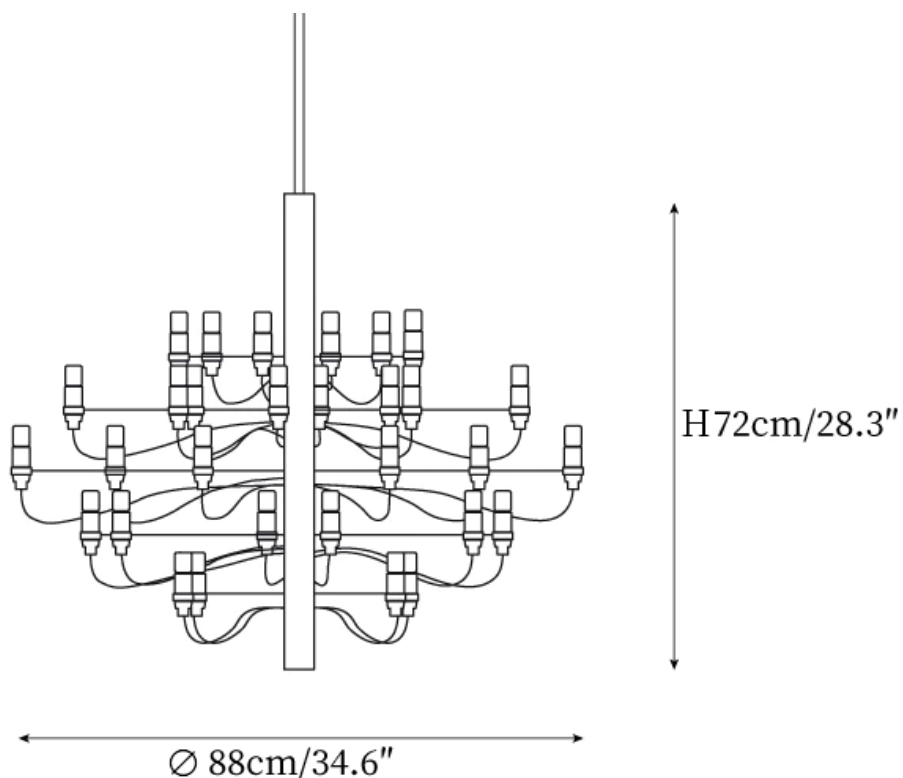


SPECIFICATION DETAILS

*For custom options, consult factory for details

Fixture Dimensions	D 26.8" x H 20.1"
Light source	E12 or E14. (Light bulb included).
Wattage	~ 5W incandescent bulb or LED equivalent.
Voltage	AC 110-240V
Mounting	Hardwired.
Dimming	Compatible with dimmable bulbs (bulb not included)
Control method	Compatible with common wall switches (not included)
Finishes	Matt black, Matt White, Chrome, Gold.
Shade Details	White.
Material	Metal, Steel, Iron.
Wire Length	The standard length of the cord is 59" (150 cm), the length is adjustable.

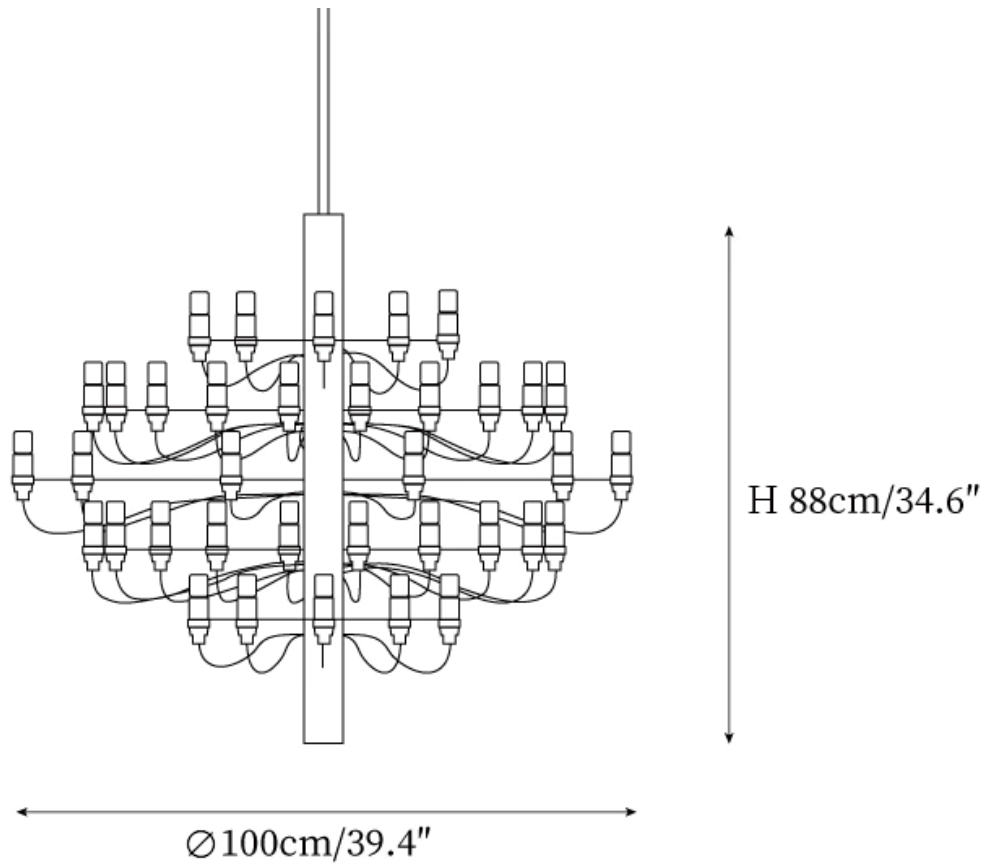
SPECIFICATION SHEET



SPECIFICATION DETAILS

*For custom options, consult factory for details

Fixture Dimensions	D 34.6" x H 28.3"
Light source	E12 or E14. (Light bulb included).
Wattage	~ 5W incandescent bulb or LED equivalent.
Voltage	AC 110-240V
Mounting	Hardwired.
Dimming	Compatible with dimmable bulbs (bulb not included)
Control method	Compatible with common wall switches (not included)
Finishes	Matt black, Matt White, Chrome, Gold.
Shade Details	White.
Material	Metal, Steel, Iron.
Wire Length	The standard length of the cord is 59" (150 cm), the length is adjustable.



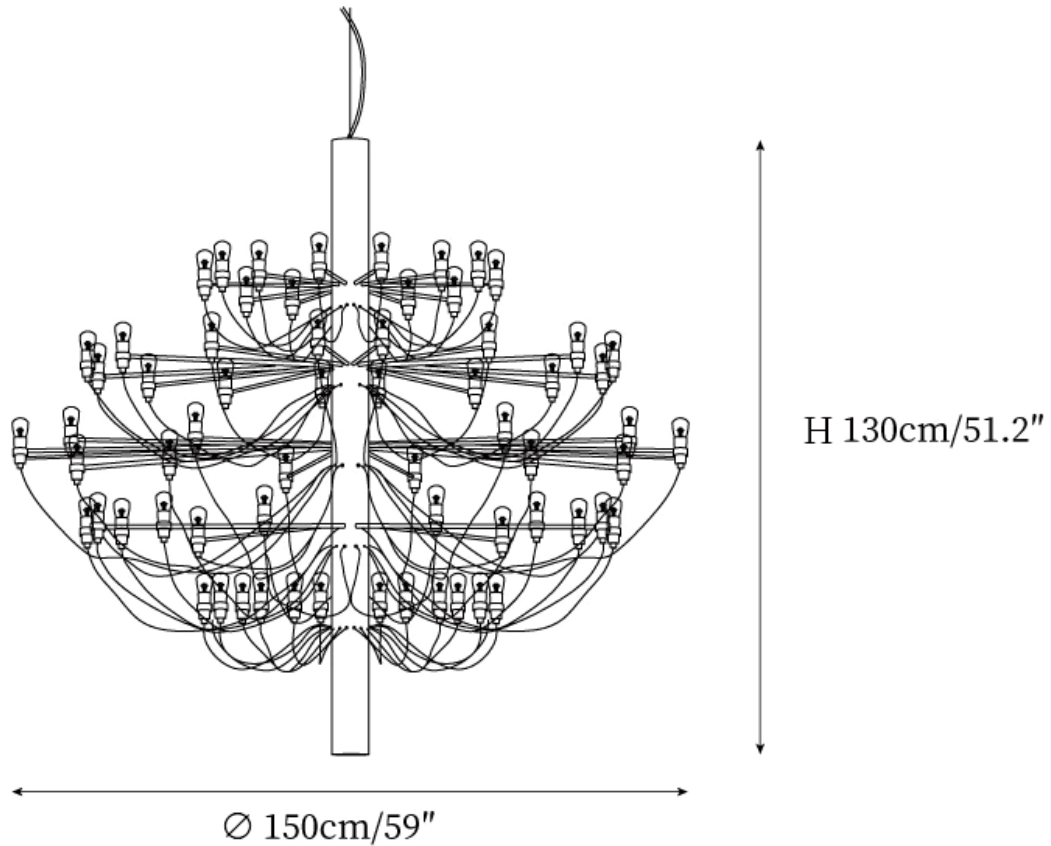
DESCRIPTION

Since 1958, this iconic 2097 Suspension Lamp design has served as an ultra-modern representation of the traditional mid-century chandelier. Every detail of this state-of-the-art ceiling light is exceptional, from the mirror-polish finish of its main steel structure to the way each bulb is fitted with its own horizontal arm and the graceful wiring meanders down the stem.

SPECIFICATION DETAILS

*For custom options, consult factory for details

SUK	V202006062113
Fixture Dimensions	D 39.4" x H 34.6"
Light source	E12 or E14. (Light bulb included).
Wattage	~ 5W incandescent bulb or LED equivalent.
Voltage	AC 110-240V
Mounting	Hardwired.
Dimming	Compatible with dimmable bulbs (bulb not included)
Control method	Compatible with common wall switches(not included)
Finishes	Matt black, Matt White, Chrome, Gold.
Shade Details	White.
Material	Metal, Steel, Iron.
Wire Length	The standard length of the cord is 59" (150 cm), the length is adjustable.
Warranty	2 Years
Certification	Compatible with North America, Saudi Arabia, Europe, Australia Certification



DESCRIPTION

Since 1958, this iconic 2097 Suspension Lamp design has served as an ultra-modern representation of the traditional mid-century chandelier. Every detail of this state-of-the-art ceiling light is exceptional, from the mirror-polish finish of its main steel structure to the way each bulb is fitted with its own horizontal arm and the graceful wiring meanders down the stem.

SPECIFICATION DETAILS

*For custom options, consult factory for details

SUK	V202006062118
Fixture Dimensions	D 59" X H 51.2"
Light source	E12 or E14. (Light bulb included).
Wattage	~ 5W incandescent bulb or LED equivalent.
Voltage	AC 110-240V
Mounting	Hardwired.
Dimming	Compatible with dimmable bulbs (bulb not included)
Control method	Compatible with common wall switches(not included)
Finishes	Matt black, Matt White, Chrome, Gold.
Shade Details	White.
Material	Metal, Steel, Iron.
Wire Length	The standard length of the cord is 59" (150 cm), the length is adjustable.
Warranty	2 Years
Certification	Compatible with North America, Saudi Arabia, Europe, Australia Certification