

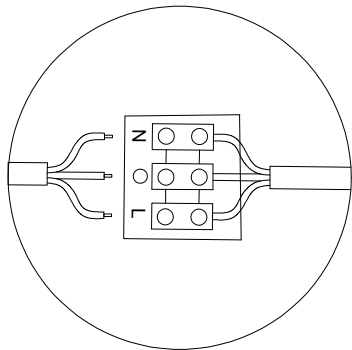
1: Fix the hanging board to the ceiling

2: Connect the lamp wires to the reserved wires

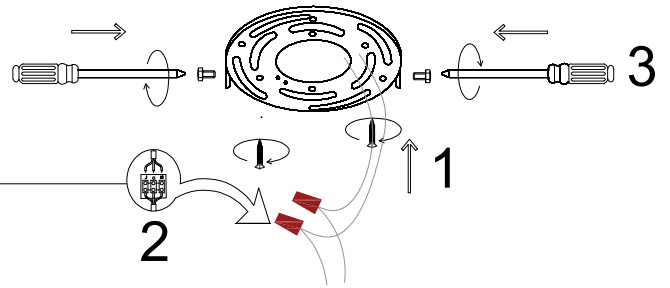
3: Fix the ceiling tray and hanging board from the side

4: Tighten the lampshade with a ring

5: Installing bulb



2

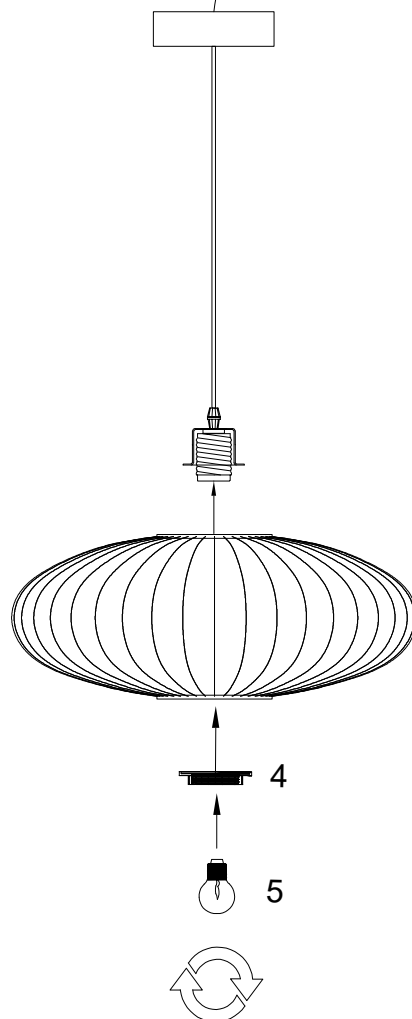


3

2

1

Enlarged Detail



4

5

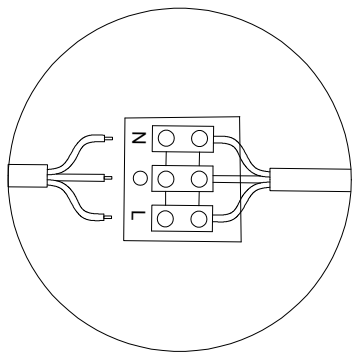
1:Fix the hanging board to the ceiling

2:Connect the lamp wires to the reserved wires

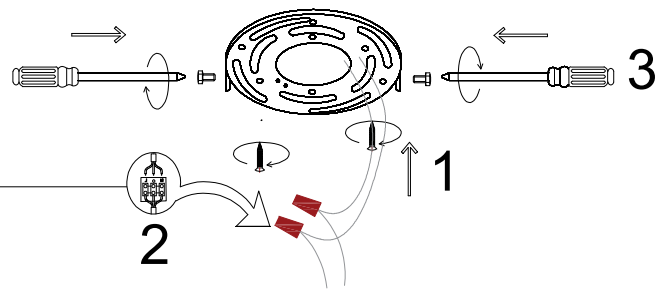
3:Fix the ceiling tray and hanging board from the side

4:Tighten the lampshade with a ring

5:Installing bulb



2

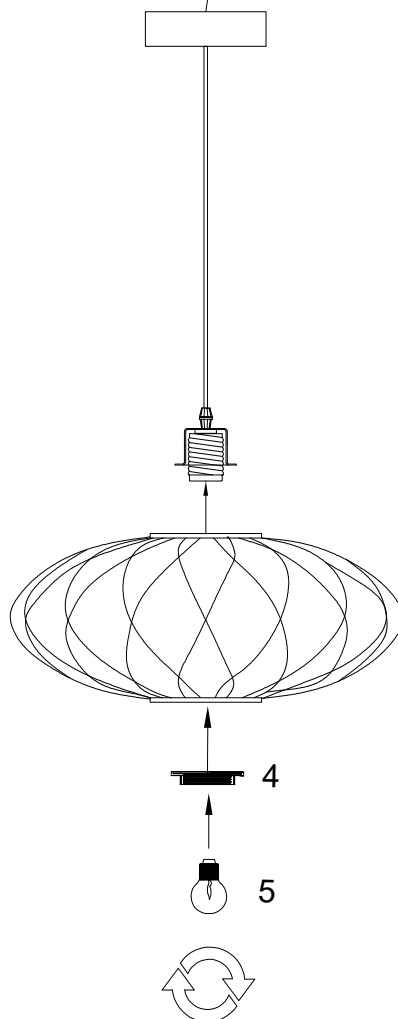


3

2

1

Enlarged Detail



4

5

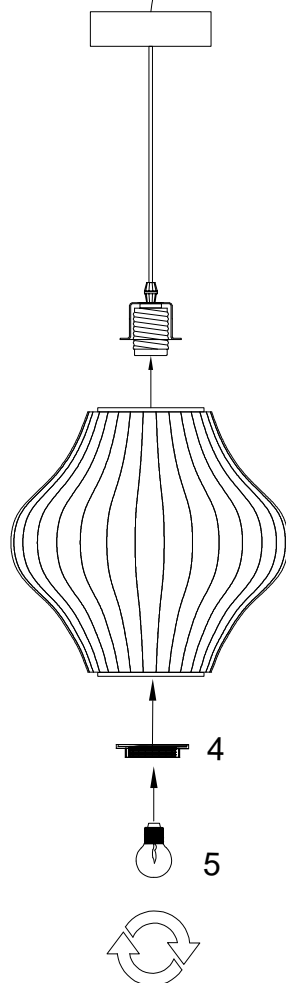
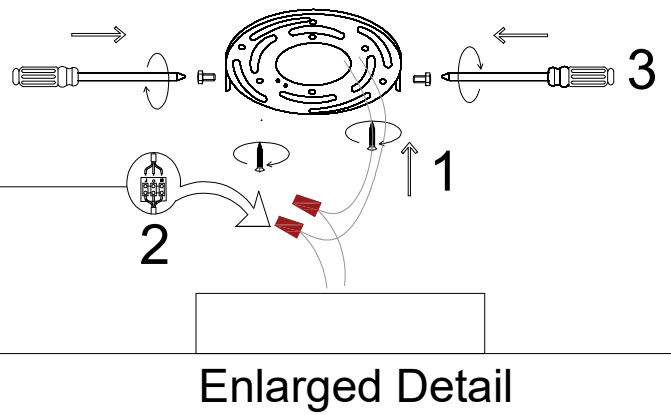
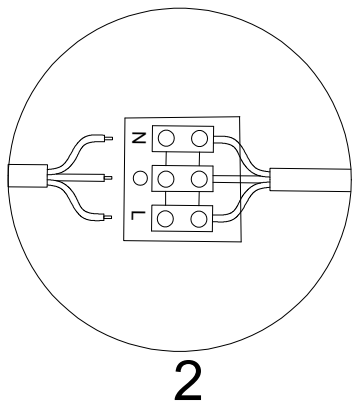
1: Fix the hanging board to the ceiling

2: Connect the lamp wires to the reserved wires

3: Fix the ceiling tray and hanging board from the side

4: Tighten the lampshade with a ring

5: Installing bulb



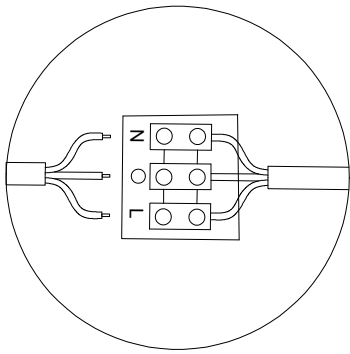
1: Fix the hanging board to the ceiling

2: Connect the lamp wires to the reserved wires

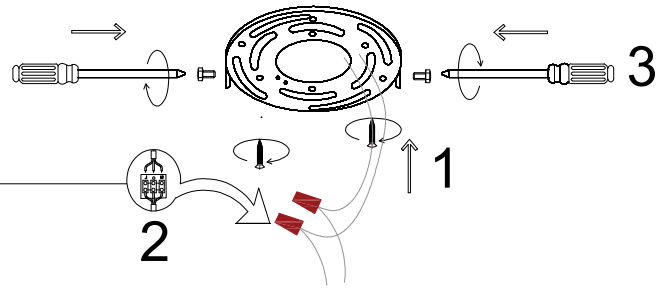
3: Fix the ceiling tray and hanging board from the side

4: Tighten the lampshade with a ring

5: Installing bulb



2

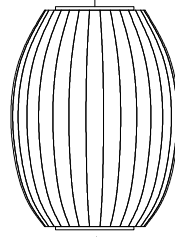
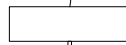


3

2

1

Enlarged Detail



4



5



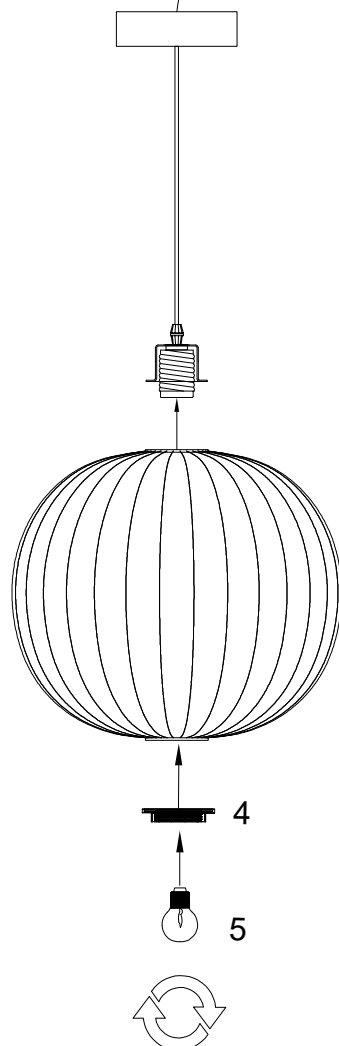
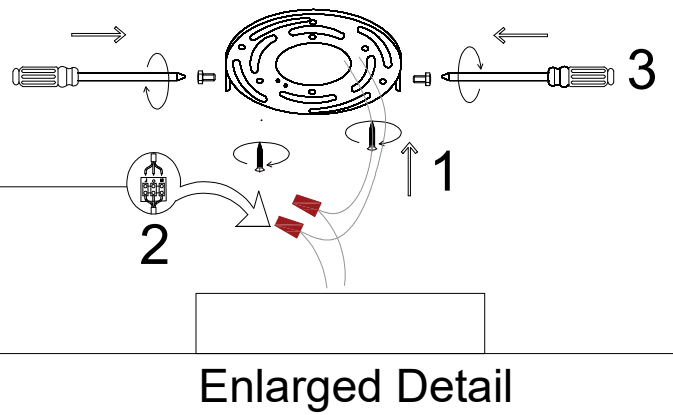
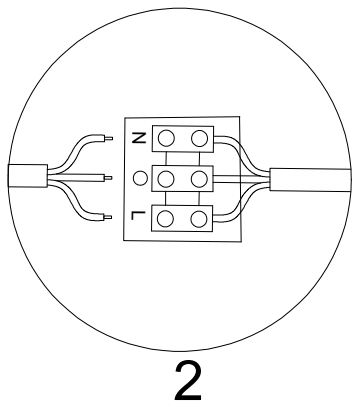
1: Fix the hanging board to the ceiling

2: Connect the lamp wires to the reserved wires

3: Fix the ceiling tray and hanging board from the side

4: Tighten the lampshade with a ring

5: Installing bulb



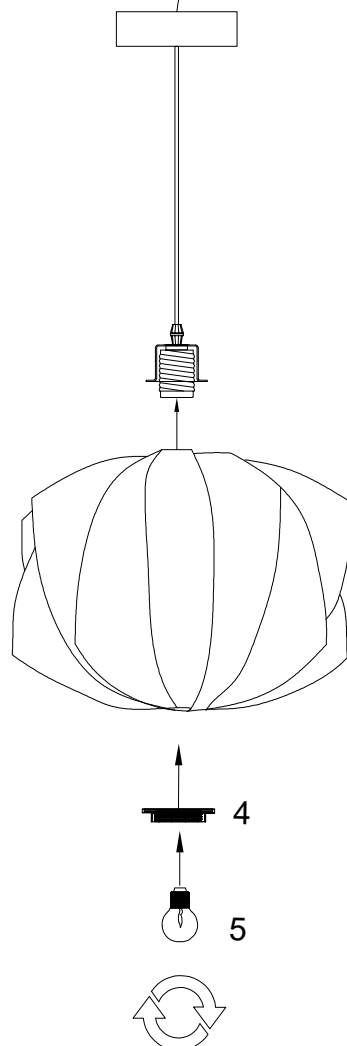
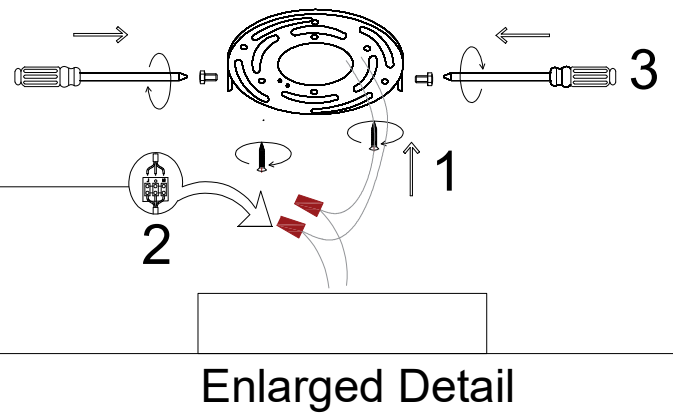
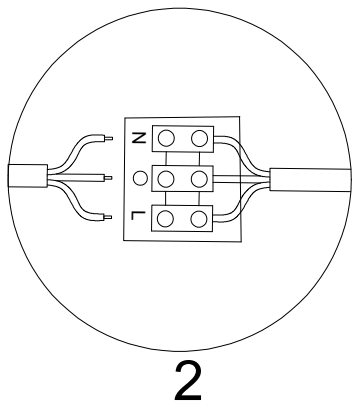
1: Fix the hanging board to the ceiling

2: Connect the lamp wires to the reserved wires

3: Fix the ceiling tray and hanging board from the side

4: Tighten the lampshade with a ring

5: Installing bulb



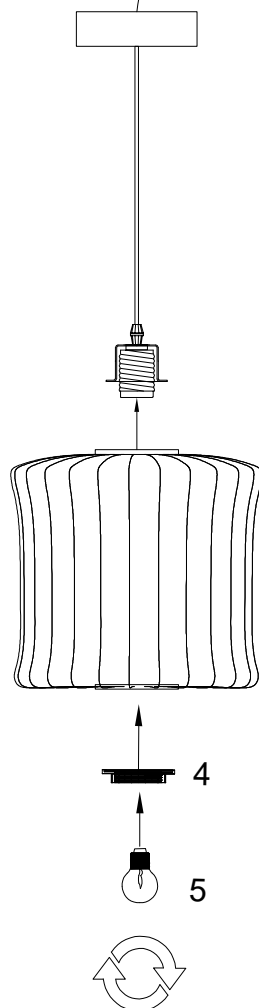
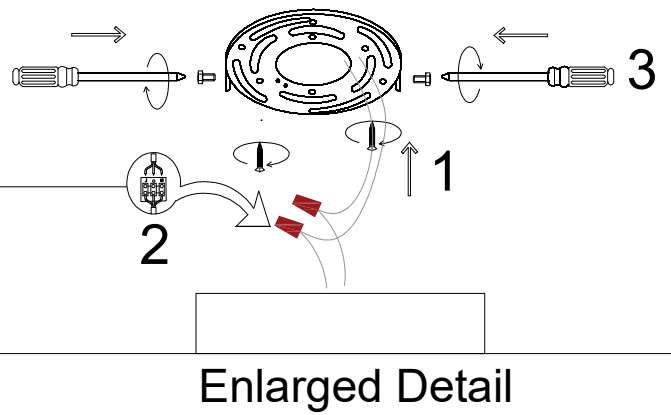
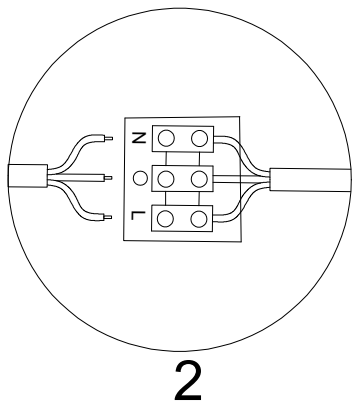
1: Fix the hanging board to the ceiling

2: Connect the lamp wires to the reserved wires

3: Fix the ceiling tray and hanging board from the side

4: Tighten the lampshade with a ring

5: Installing bulb



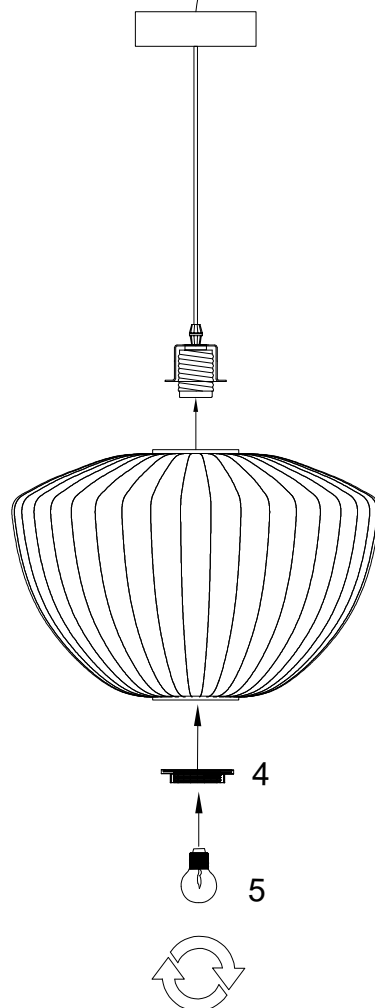
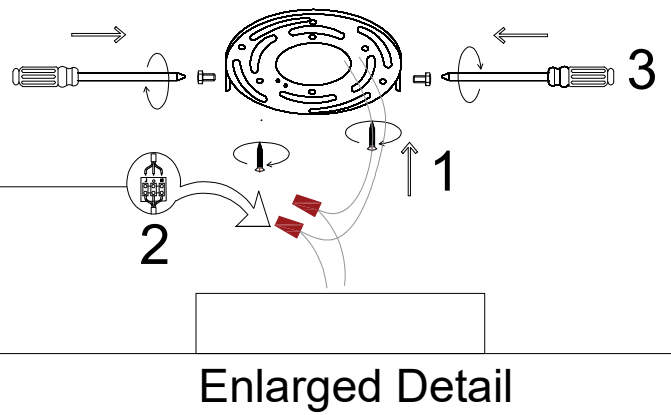
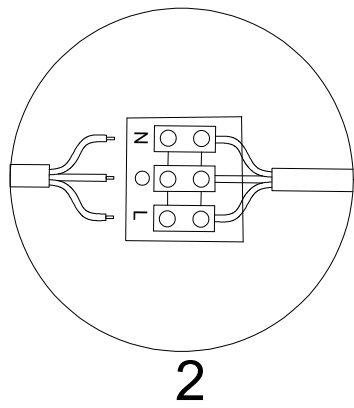
1: Fix the hanging board to the ceiling

2: Connect the lamp wires to the reserved wires

3: Fix the ceiling tray and hanging board from the side

4: Tighten the lampshade with a ring

5: Installing bulb



1: Fix the hanging board to the ceiling

2: Connect the lamp wires to the reserved wires

3: Fix the ceiling tray and hanging board from the side

4: Tighten the lampshade with a ring

5: Installing bulb

