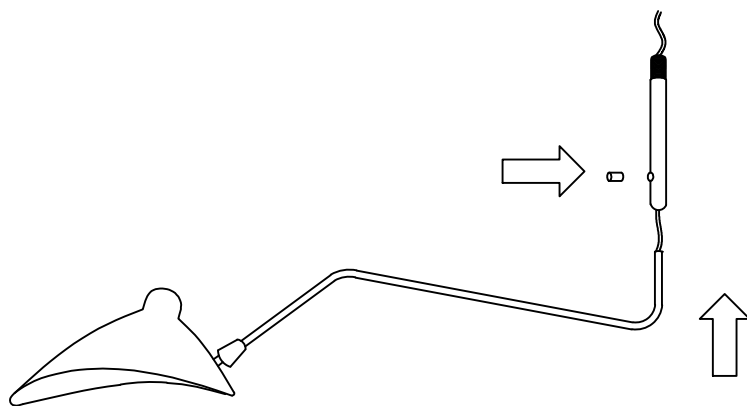
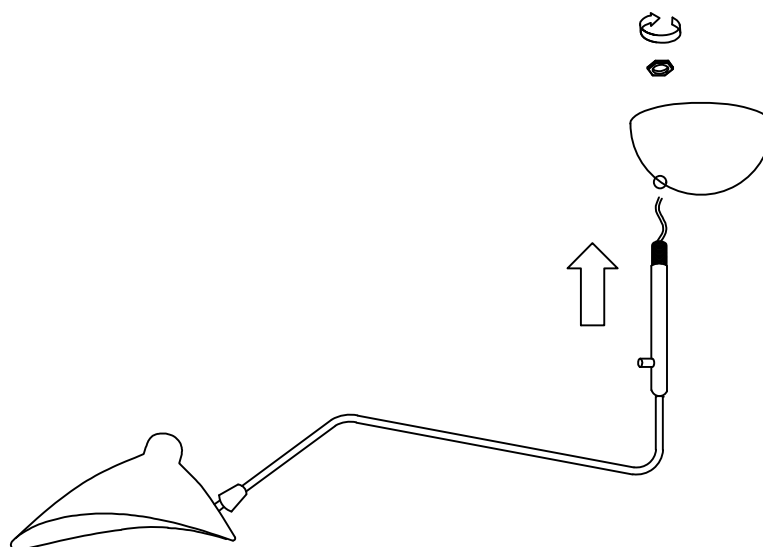


1

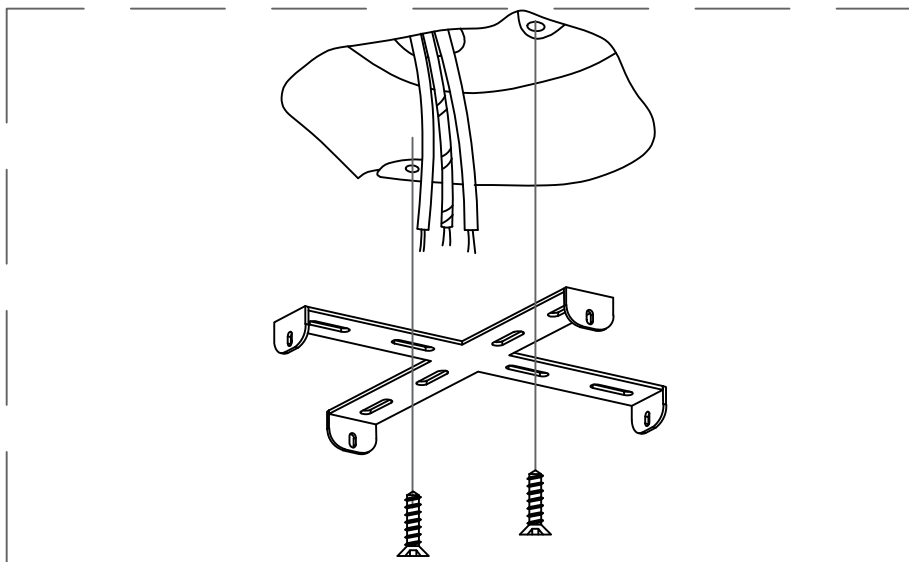


Assemble the lamp body

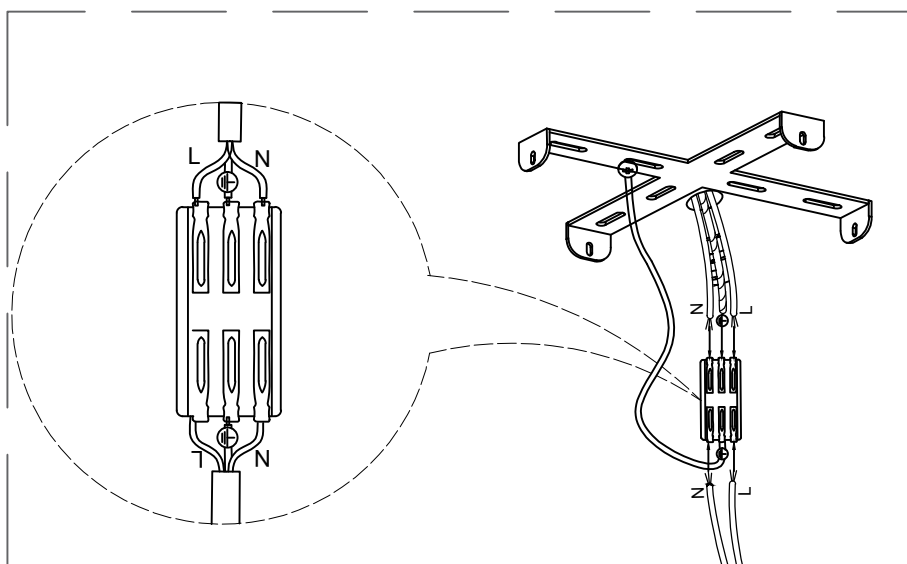


The lamp body and ceiling tray are fixed together with screws

2



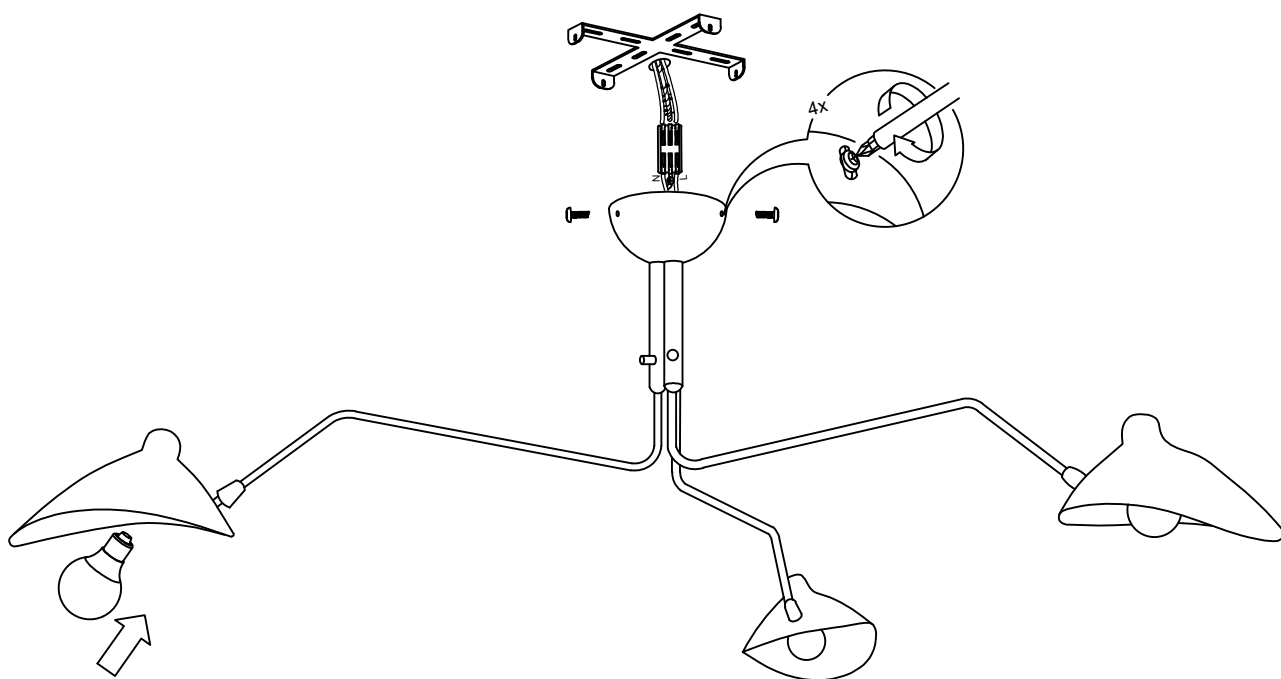
Fasten the hanging board to the ceiling with screws



The wires in the home are connected to the wires in the lamps through the wire terminals

3

The side screws fix the lamp body to the ceiling plate



Install the light bulb