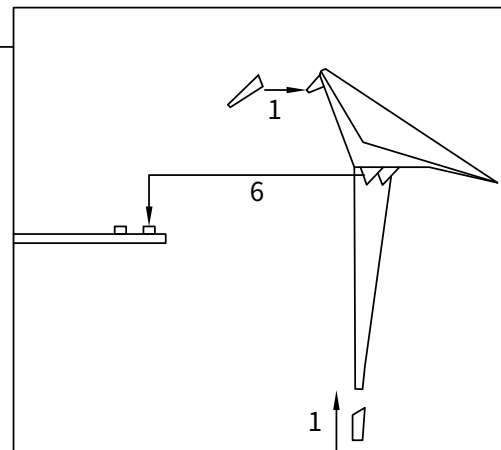
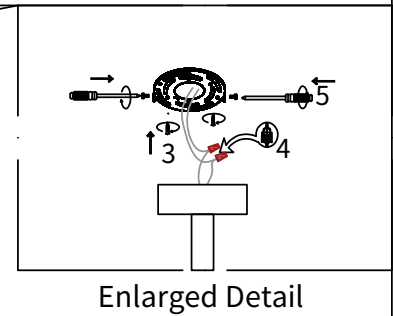
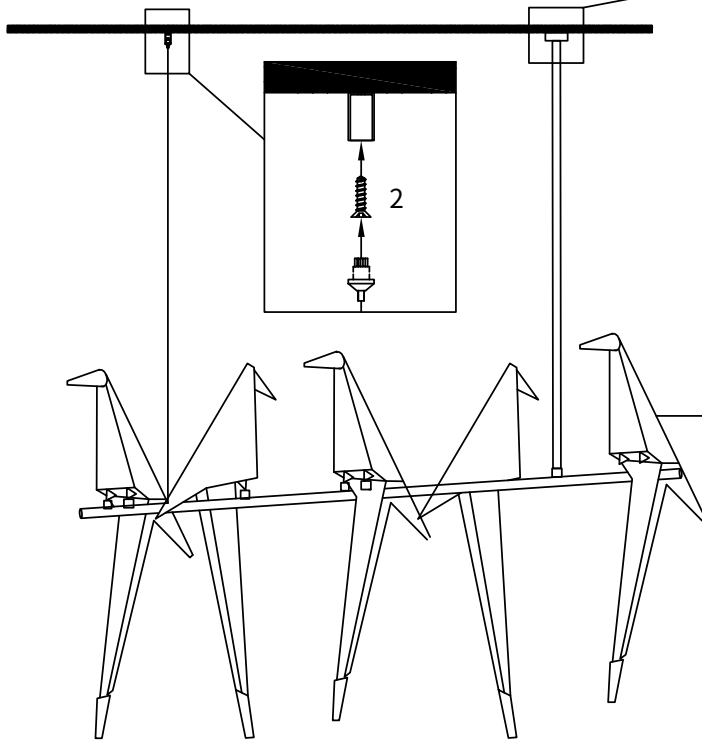


- 1:Assembling bird shaped decorations
- 2:Fix hardware to the ceiling
- 3:Fix the hanging board to the ceiling
- 4:Connect the lamp wires to the reserved wires
- 5:Fix the ceiling tray and hanging board from the side
- 6:Install the lampshade



Installation instructions:

- 1.All L live wires of the light arm lead are connected to the main L live wire, and all N zero wires of the light arm lead are connected
2. Clamp with a wiring cap, tighten the connection and strengthen the insulation with a heat shrink tube.
3. Connect and lock the main ground wire to a separate grounding device on the lamp body.
4. All LED light sources are connected in series (excluding high-voltage LEDs).
5. The LED light source is connected to the driver, and the power cord must be divided into positive and negative poles (excluding high-voltage LEDs).
6. Connecting incorrectly can lead to no lights, short circuits flickering, or burning.