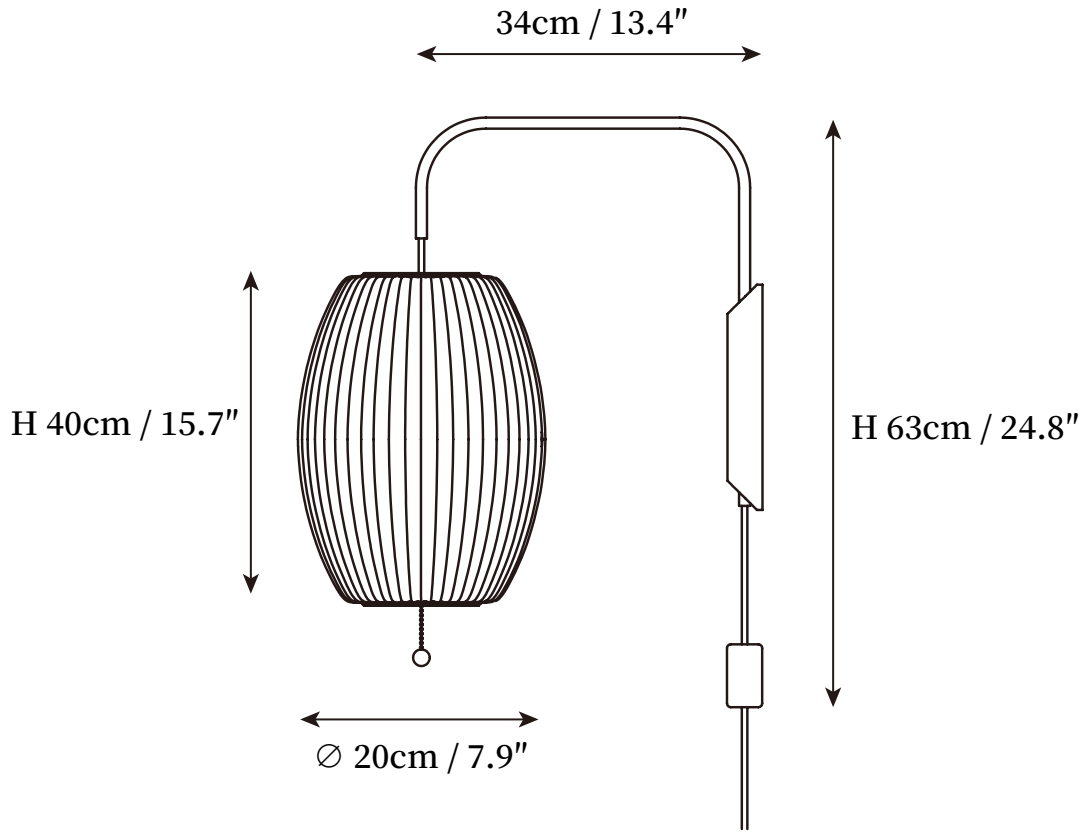


SPECIFICATION SHEET

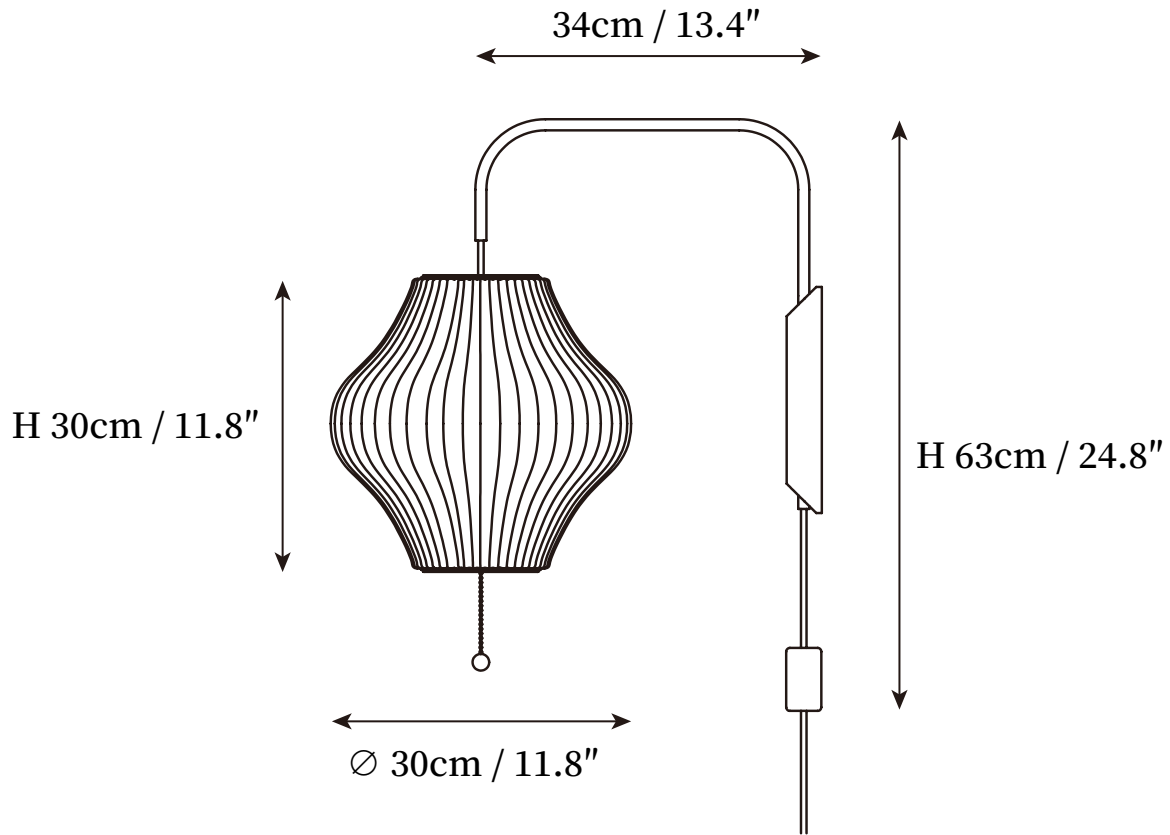


SPECIFICATION DETAILS

*For custom options, consult factory for details

Fixture Dimensions	Ø 7.9" x H 15.7"
Light source	E26 or E27 (bulb not included)
Wattage	MAX 40W incandescent bulb or LED equivalent.
Voltage	AC 110-240V
Mounting	Hardwired.
Dimming	Compatible with dimmable bulbs (bulb not included)
Control method	Compatible with common wall switches (not included)
Finishes	Chrome & Walnut color.
Shade Details	White.
Material	Polymer, Steel wire, Walnut wood, Metal.

SPECIFICATION SHEET

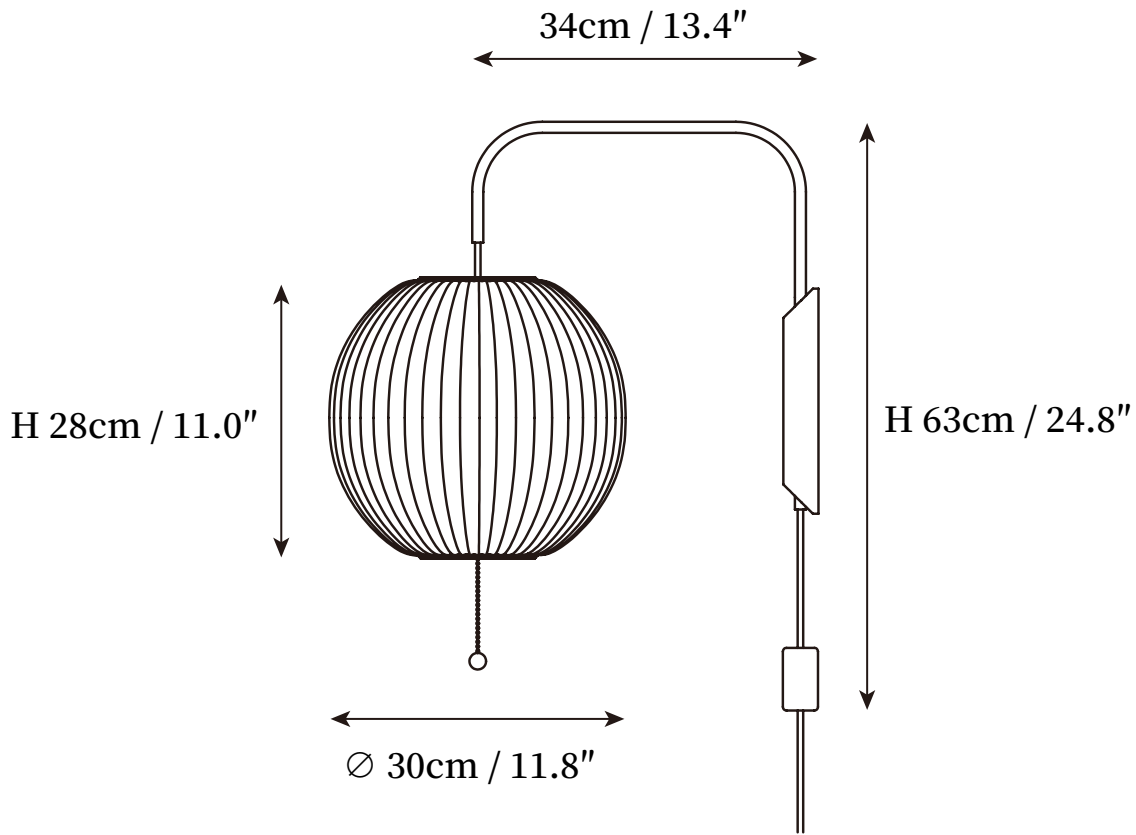


SPECIFICATION DETAILS

*For custom options, consult factory for details

Fixture Dimensions	Ø 11.8" x H 11.8"
Light source	E26 or E27 (bulb not included)
Wattage	MAX 40W incandescent bulb or LED equivalent.
Voltage	AC 110-240V
Mounting	Hardwired.
Dimming	Compatible with dimmable bulbs (bulb not included)
Control method	Compatible with common wall switches (not included)
Finishes	Chrome & Walnut color.
Shade Details	White.
Material	Polymer, Steel wire, Walnut wood, Metal.

SPECIFICATION SHEET

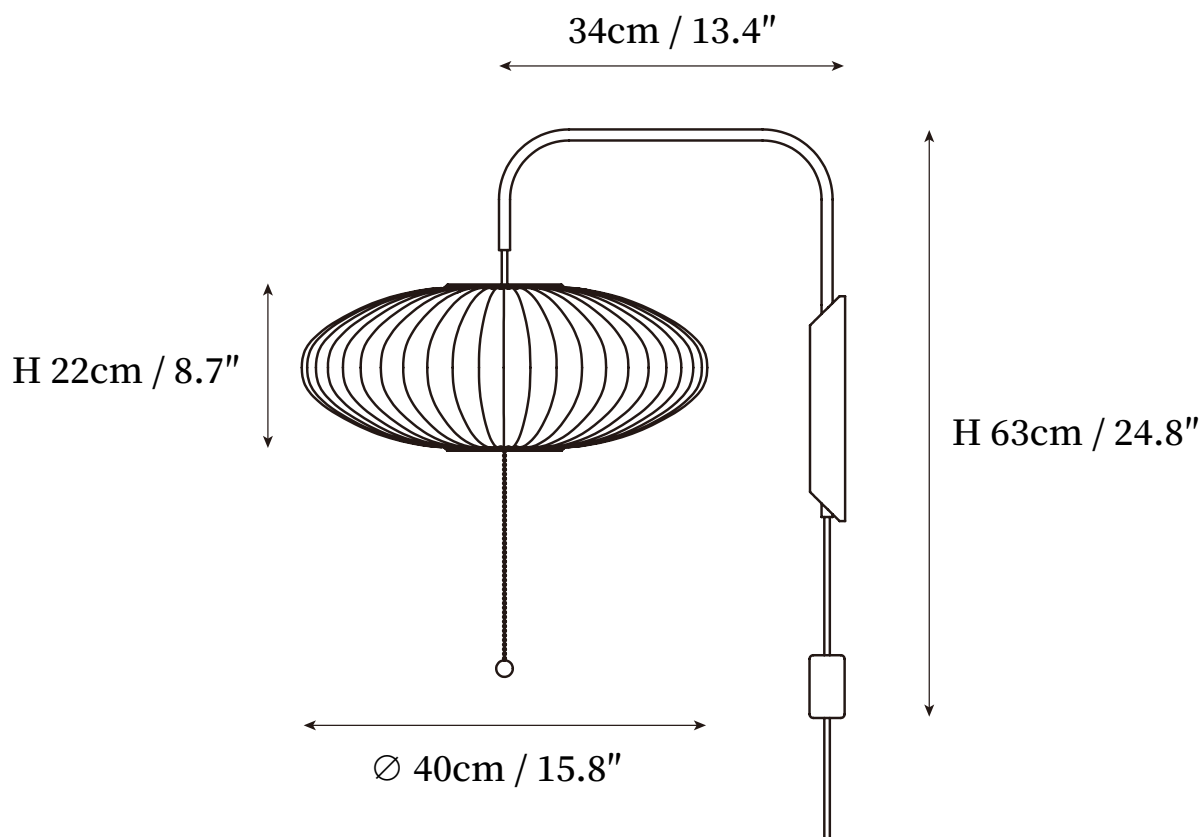


SPECIFICATION DETAILS

*For custom options, consult factory for details

Fixture Dimensions	$\varnothing 11.8'' \times H 11''$
Light source	E26 or E27 (bulb not included)
Wattage	MAX 40W incandescent bulb or LED equivalent.
Voltage	AC 110-240V
Mounting	Hardwired.
Dimming	Compatible with dimmable bulbs (bulb not included)
Control method	Compatible with common wall switches(not included)
Finishes	Chrome & Walnut color.
Shade Details	White.
Material	Polymer, Steel wire, Walnut wood, Metal.

SPECIFICATION SHEET



SPECIFICATION DETAILS

*For custom options, consult factory for details

Fixture Dimensions	\varnothing 15.7" x H 8.6"
Light source	E26 or E27 (bulb not included)
Wattage	MAX 40W incandescent bulb or LED equivalent.
Voltage	AC 110-240V
Mounting	Hardwired.
Dimming	Compatible with dimmable bulbs (bulb not included)
Control method	Compatible with common wall switches (not included)
Finishes	Chrome & Walnut color.
Shade Details	White.
Material	Polymer, Steel wire, Walnut wood, Metal.
