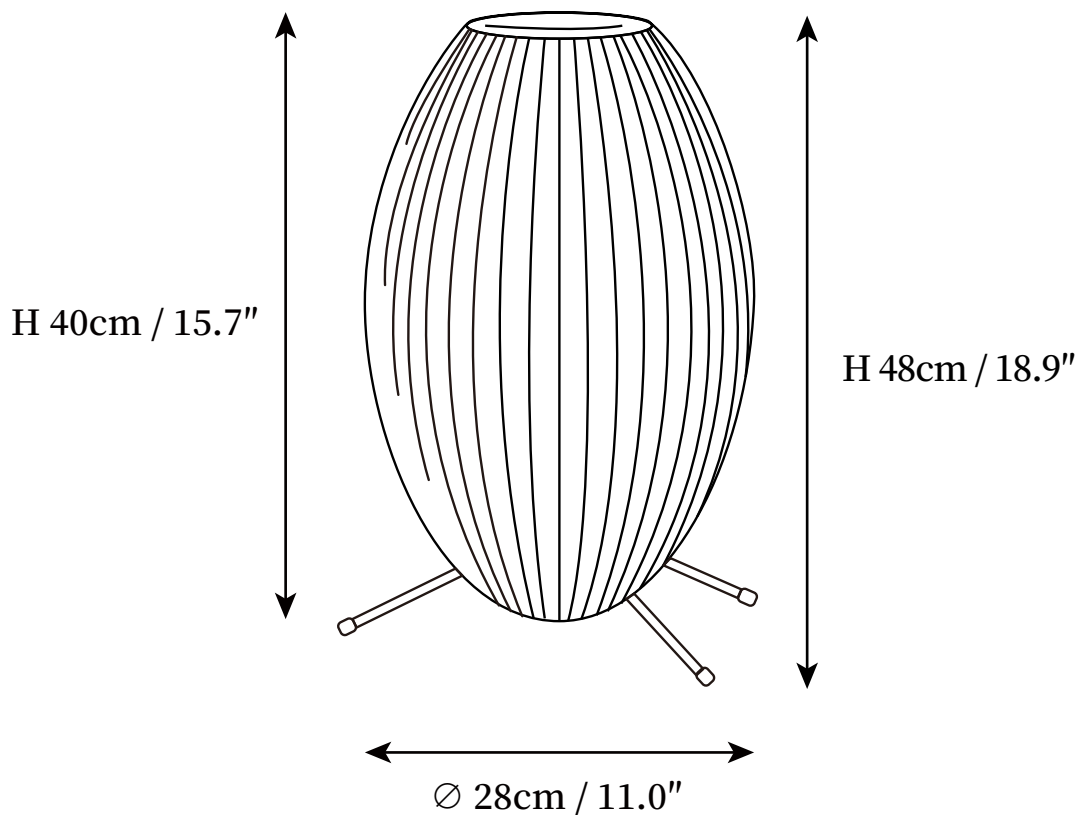


# SPECIFICATION SHEET

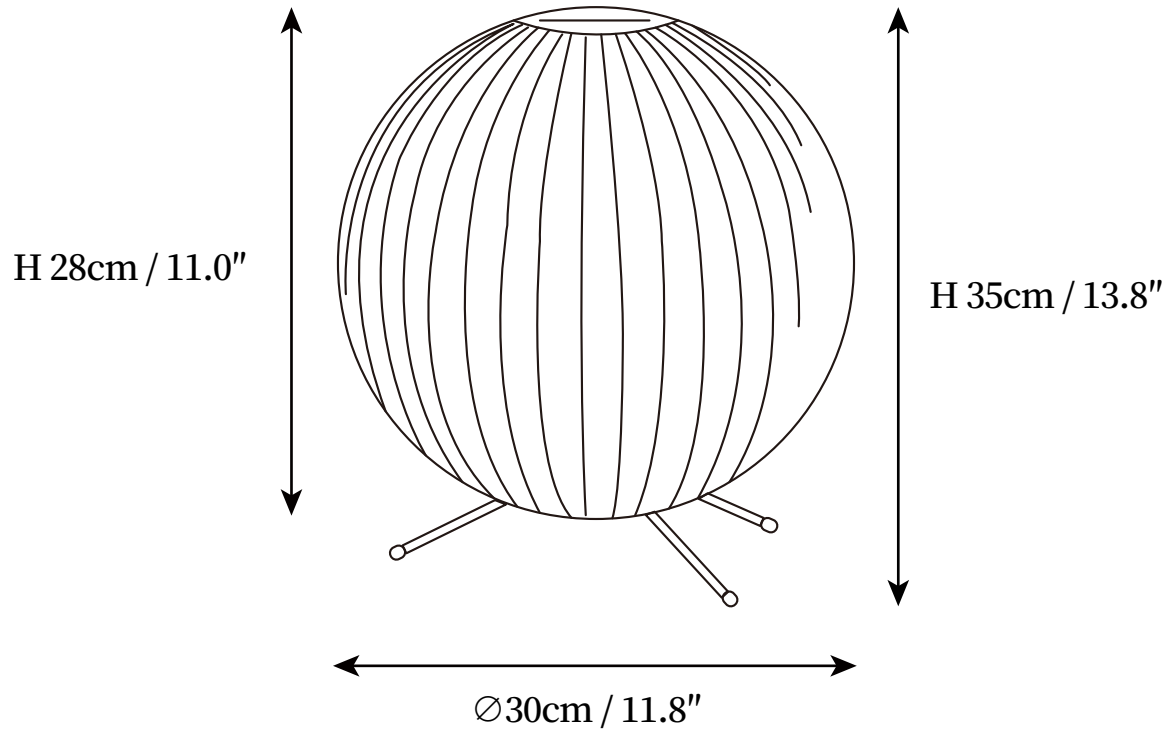
---



## SPECIFICATION DETAILS

\*For custom options, consult factory for details

<b>Fixture Dimensions</b>	D 11.0" x H 18.9"
<b>Light source</b>	E26 or E27. (bulb not included)
<b>Wattage</b>	MAX 40W incandescent bulb or LED equivalent.
<b>Voltage</b>	AC 110-240V
<b>Dimming</b>	Compatible with dimmable bulbs (bulb not included)
<b>Control method</b>	In line ON / OFF switch.
<b>Finishes</b>	Chrome.
<b>Shade Details</b>	White.
<b>Material</b>	Polymer, Steel wire
<b>Cord Length</b>	Supplied with switched plug cord, length ~59" (150cm).



**DESCRIPTION**

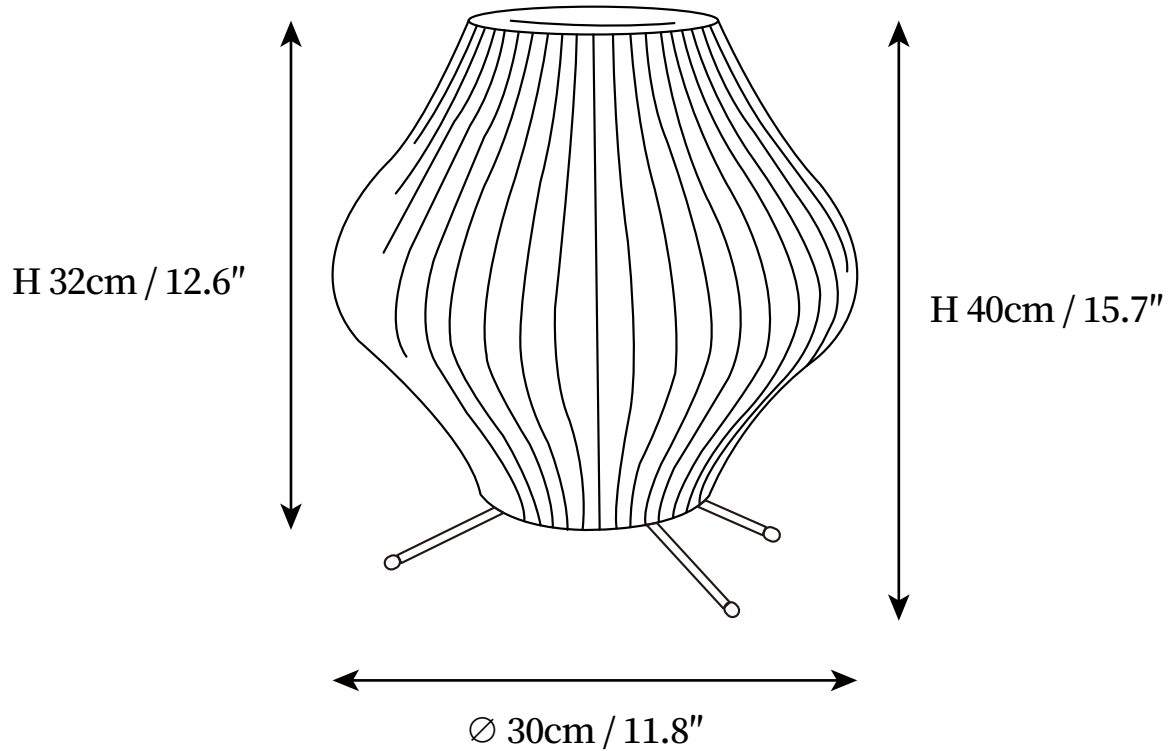
The Nelson Tripod Lamp comes in two sizes and with a steel tripod stand that allows it to be placed in a variety of settings, Available in charming spherical silhouettes, the Nelson Bubble Lamps add a touch of softness and luminosity to interiors. The Nelson Lamp series of lamps with elemental, spherical shapes like a rounded apple, an elongated cigar, and a shapely pear, among others.

**SPECIFICATION DETAILS**

\*For custom options, consult factory for details

<b>SKU</b>	ML-504-5
<b>Fixture Dimensions</b>	D 11.8" x H 13.8"
<b>Light source</b>	E26 or E27. (bulb not included)
<b>Wattage</b>	MAX 40W incandescent bulb or LED equivalent.
<b>Voltage</b>	AC 110-240V
<b>Dimming</b>	Compatible with dimmable bulbs (bulb not included)
<b>Control method</b>	In line ON / OFF switch.
<b>Finishes</b>	Chrome.
<b>Shade Details</b>	White.
<b>Material</b>	Polymer, Steel wire
<b>Cord Length</b>	Supplied with switched plug cord, length ~59" (150cm).
<b>Warranty</b>	2 Years
<b>Certification</b>	UL, CE, CCC, ETL, SAA.





## DESCRIPTION

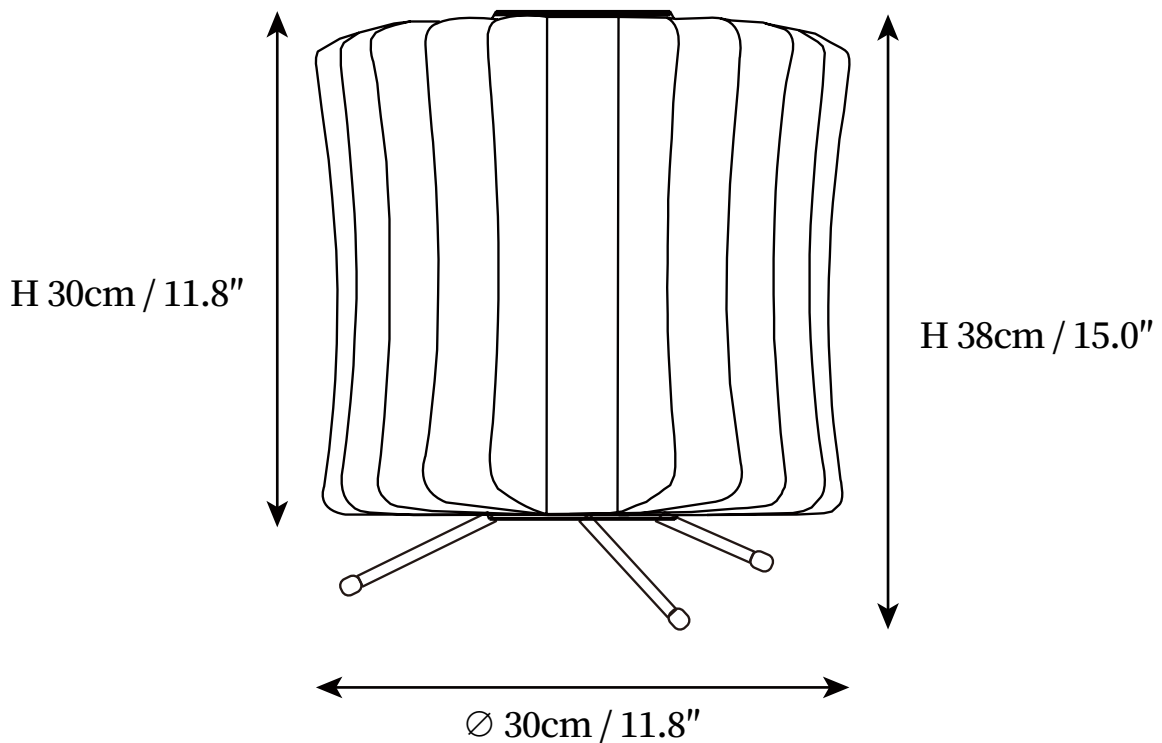
The Nelson Tripod Lamp comes in two sizes and with a steel tripod stand that allows it to be placed in a variety of settings. Available in charming spherical silhouettes, the Nelson Bubble Lamps add a touch of softness and luminosity to interiors. The Nelson Lamp series of lamps with elemental, spherical shapes like a rounded apple, an elongated cigar, and a shapely pear, among others.

## SPECIFICATION DETAILS

\*For custom options, consult factory for details

SKU	ML-504-9
Fixture Dimensions	D 11.8" x H 15.7"
Light source	E26 or E27. (bulb not included)
Wattage	MAX 40W incandescent bulb or LED equivalent.
Voltage	AC 110-240V
Dimming	Compatible with dimmable bulbs (bulb not included)
Control method	In line ON / OFF switch.
Finishes	Chrome.
Shade Details	White.
Material	Polymer, Steel wire
Cord Length	Supplied with switched plug cord, length ~59" (150cm).
Warranty	2 Years
Certification	UL, CE, CCC, ETL, SAA.





**DESCRIPTION**

The Nelson Tripod Lamp comes in two sizes and with a steel tripod stand that allows it to be placed in a variety of settings, Available in charming spherical silhouettes, the Nelson Bubble Lamps add a touch of softness and luminosity to interiors. The Nelson Lamp series of lamps with elemental, spherical shapes like a rounded apple, an elongated cigar, and a shapely pear, among others.

**SPECIFICATION DETAILS**

\*For custom options, consult factory for details

SKU	ML-504-13
Fixture Dimensions	D 11.8" x H 15.0"
Light source	E26 or E27. (bulb not included)
Wattage	MAX 40W incandescent bulb or LED equivalent.
Voltage	AC 110-240V
Dimming	Compatible with dimmable bulbs (bulb not included)
Control method	In line ON / OFF switch.
Finishes	Chrome.
Shade Details	White.
Material	Polymer, Steel wire
Cord Length	Supplied with switched plug cord, length ~59" (150cm).
Warranty	2 Years
Certification	UL, CE, CCC, ETL, SAA.

