

1:Assembly of lamp body

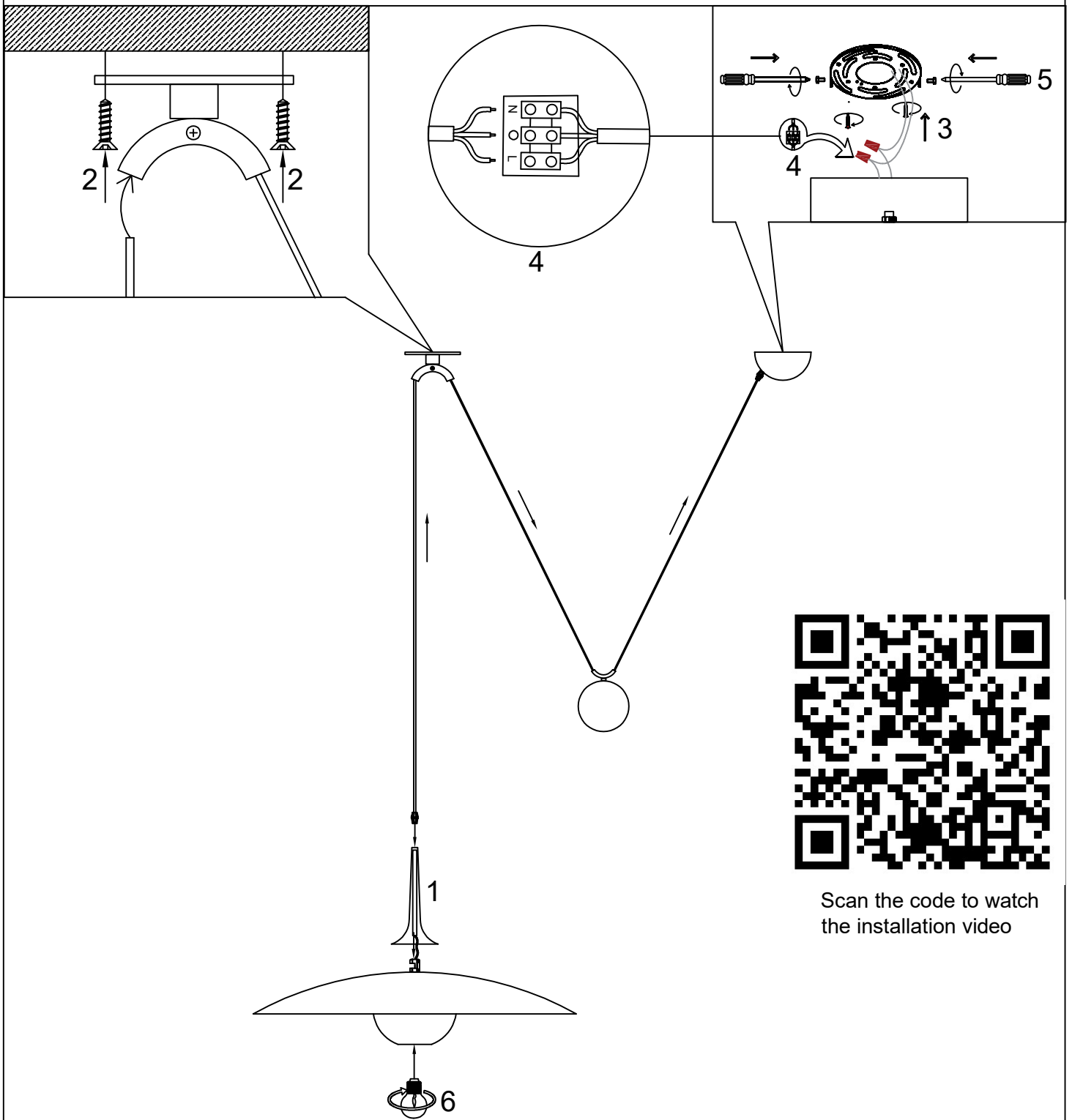
2:Fix the hardware to the ceiling with self tapping screws

3:Fix the hanging board to the wall

4:Connect the lamp wires to the reserved wires

5:Fix the wall box and hanging board from the side

6:Installing bulb



Scan the code to watch
the installation video

1: Assembly of lamp body

2: Fix the hardware to the ceiling with self tapping screws

3: Fix the hanging board to the wall

4: Connect the lamp wires to the reserved wires

5: Fix the wall box and hanging board from the side

6: Installing bulb

