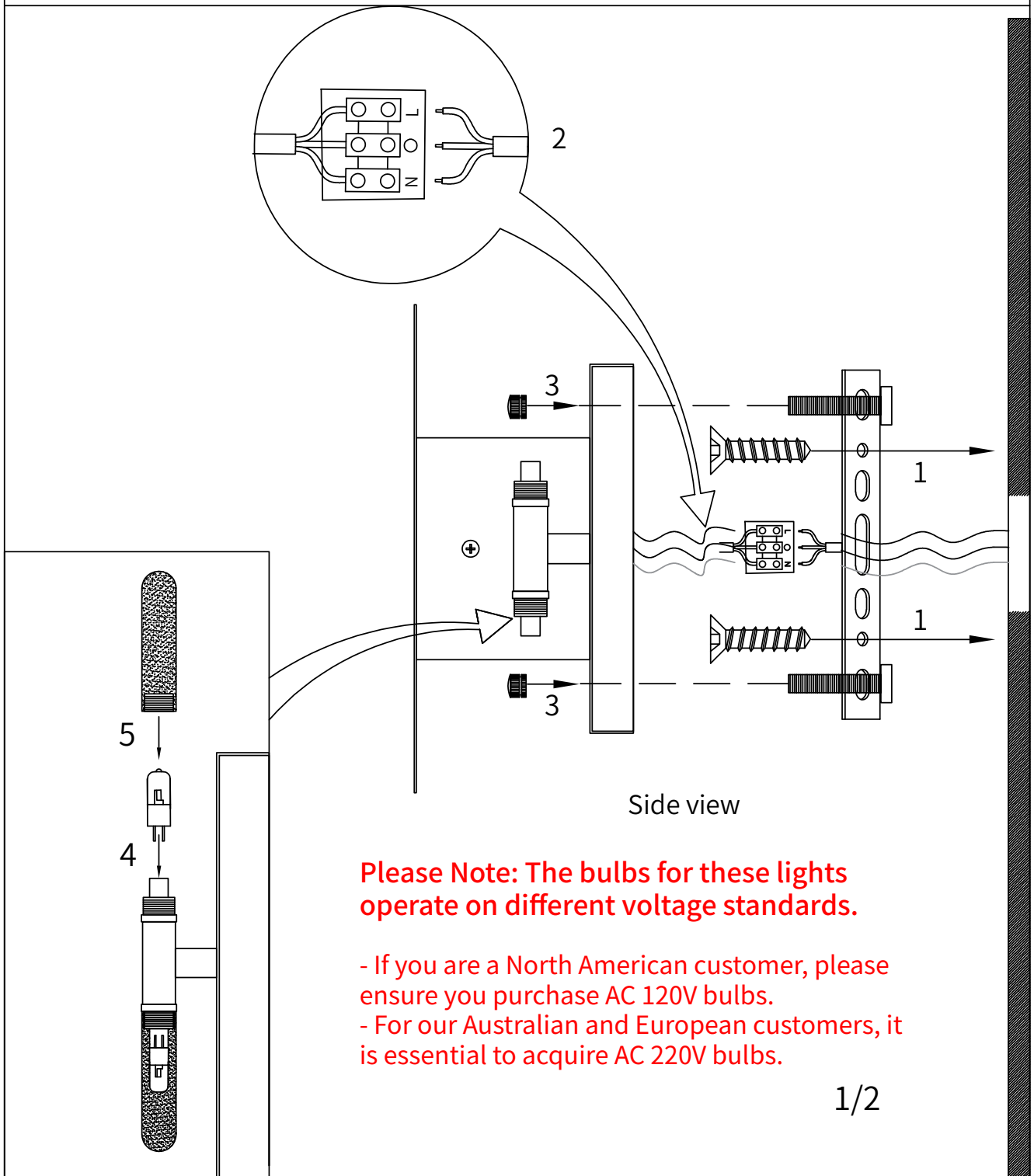


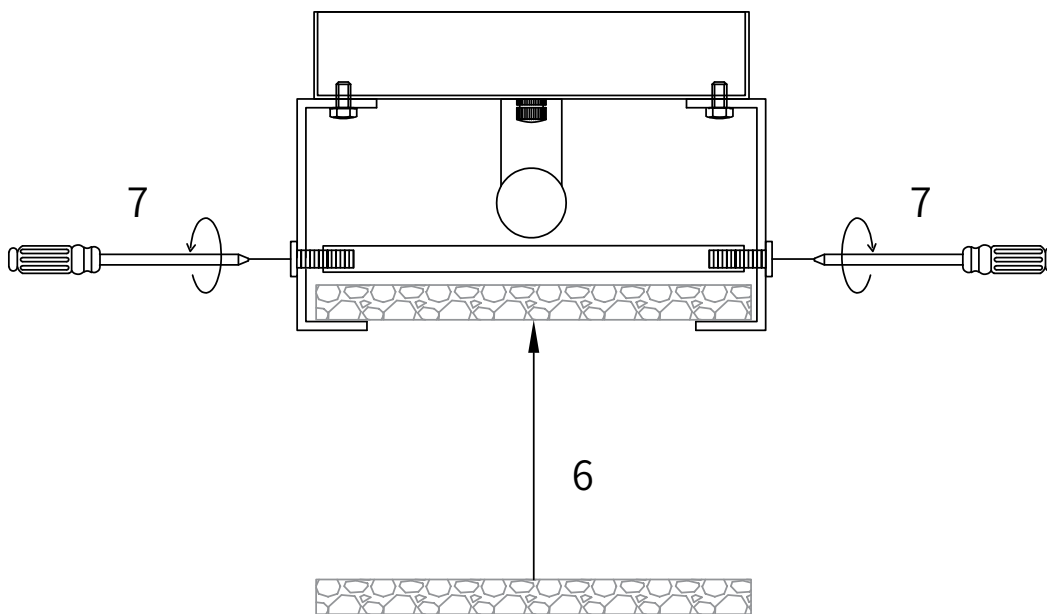
- 1: Fix the hanging board to the wall
- 2: Connect the lamp wires to the reserved wires
- 3: Tighten the nut to secure the lamp body
- 4: Insert bulb
- 5: Twist in the acrylic lampshade



6: Place the marble lampshade

7: Tighten the screws on both sides

Installation method of marble lampshade  
vertical view



Clamp the Alabaster lampshade in the middle with the force of tightening the screws on both sides

