

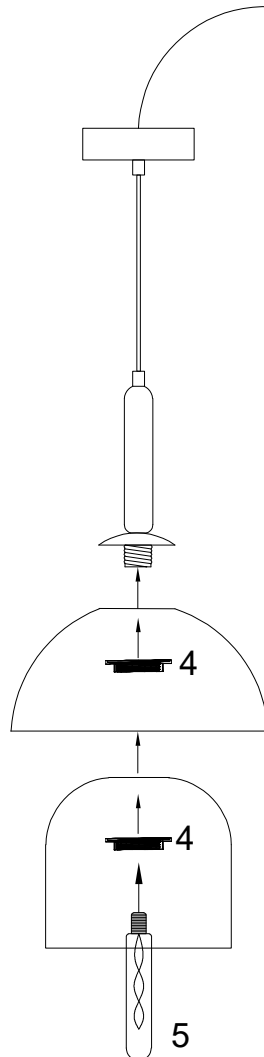
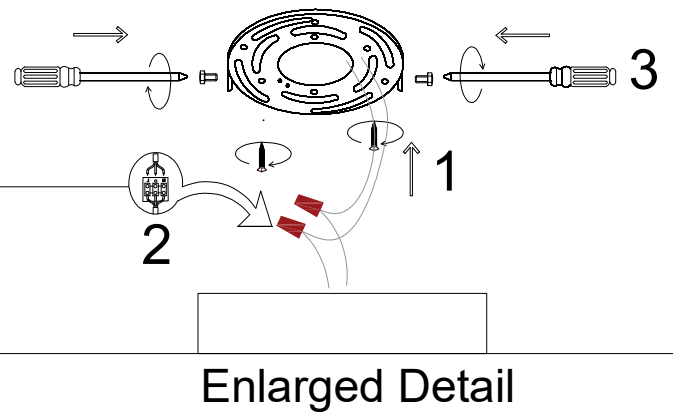
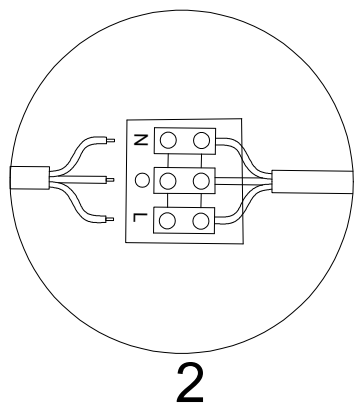
1: Fix the hanging board to the ceiling

2: Connect the lamp wires to the reserved wires

3: Fix the ceiling tray and hanging board from the side

4: Tighten the lampshade with a ring

5: Installing bulb



1: Fix the hanging board to the ceiling

2: Connect the lamp wires to the reserved wires

3: Fix the ceiling tray and hanging board from the side

4: Tighten the lampshade with a ring

5: Installing bulb

