

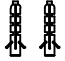
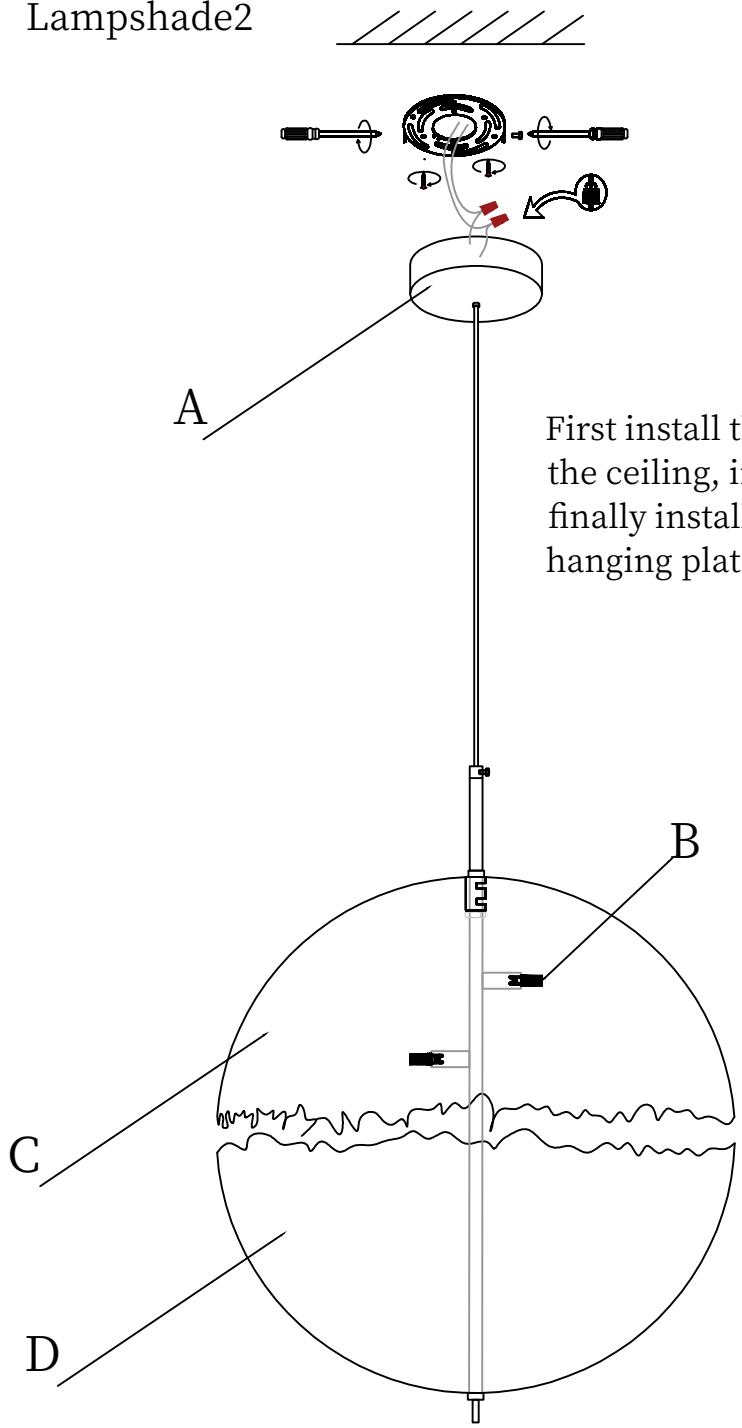




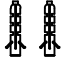
- (A): Canopy
- (B): Bulb
- (C): Lampshade1
- (D): Lampshade2

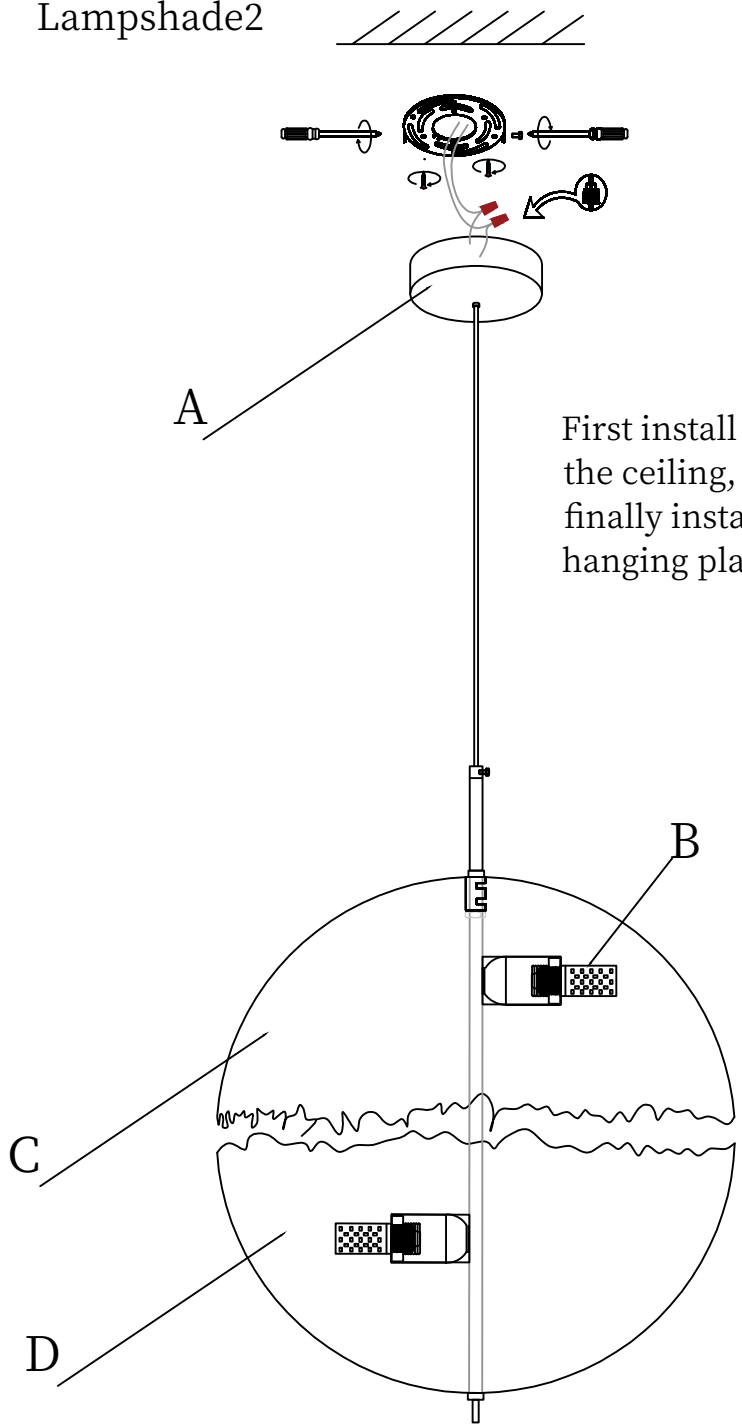
Installation Hardware Kit		
①	②	③
		



First install the hanging plate to the ceiling, install the bulb, and finally install the lamp body to the hanging plate



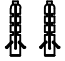
- (A): Canopy
- (B): Bulb
- (C): Lampshade1
- (D): Lampshade2

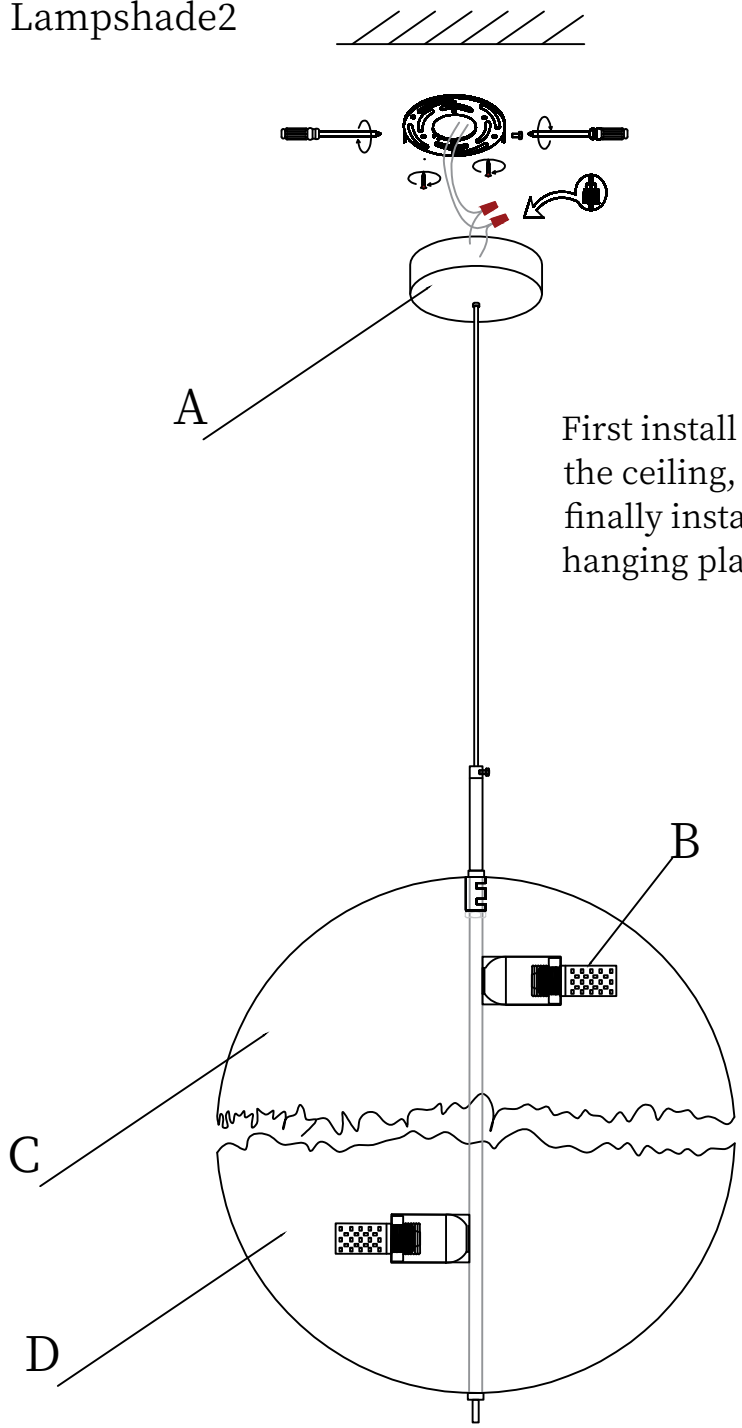
Installation Hardware Kit		
①	②	③
		



First install the hanging plate to the ceiling, install the bulb, and finally install the lamp body to the hanging plate

- (A): Canopy
- (B): Bulb
- (C): Lampshade1
- (D): Lampshade2

Installation Hardware Kit		
①	②	③
		



First install the hanging plate to the ceiling, install the bulb, and finally install the lamp body to the hanging plate